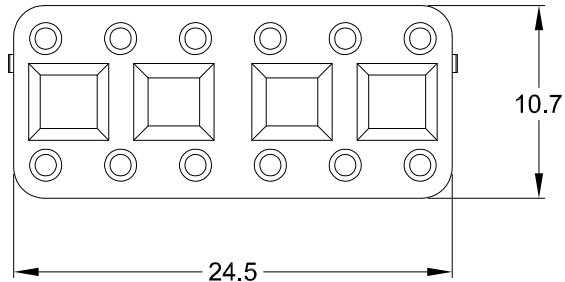
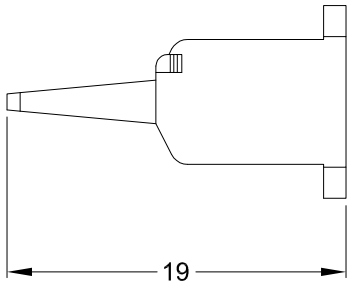
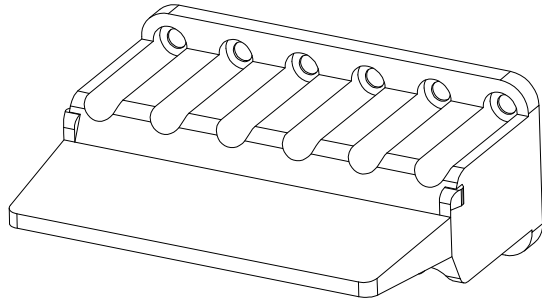
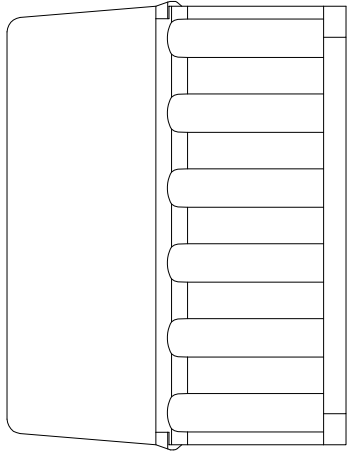


REVISIONS					
REV	ECO	DESCRIPTION	DATE	BY	APPR
A3		RELEASE NEW DWG FORMAT	24/JUL/13	DRP	



NOTES: UNLESS OTHERWISE SPECIFIED

- 1. MATERIAL: THERMOPLASTIC; COLOR: ORANGE
- 2. RoHS COMPLIANT
- 3. CAVITIES: 12
- 4. KEYED: N/A
- 5. USE WITH CONNECTORS: ATM06-12S*
(* = MODIFICATIONS AND COLORS)
- 6. ALL DIMENSIONS ARE FOR REFERENCE USE ONLY.

AWM-12S				
PART NUMBER		DESCRIPTION		ITEM
QUANTITY	MATERIALS LIST			
<small>UNLESS OTHERWISE SPECIFIED</small> 1) All dimensions are in metric (mm). 2) Tolerances are as follows: 1 PL DEC ±0.30 Fractions ±1/64 2 PL DEC ±0.15 Angles ±1° 3 PL DEC ±0.08 3) Note reference =		<small>SIGNATURES</small> DRAWN: D.PARKS CHECKED: ENGINEER: APPROVAL:		<small>DATE</small> 24/JUL/13
<small>MATERIAL SPECIFICATIONS:</small>		<small>CUSTOMER:</small>		<h1 style="text-align: center;">Amphenol</h1> <p style="text-align: center;">Sine Systems - www.amphenol-sine.com 44724 Morley Drive Clinton Township, MI 48036</p>
<small>PROCESS SPECIFICATIONS:</small>		THIS DRAWING IS SUPPLIED FOR INFORMATION ONLY. DESIGN FEATURES, SPECIFICATIONS AND PERFORMANCE DATA SHOWN HEREON ARE THE PROPERTY OF THE AMPHENOL CORPORATION. NO RIGHTS OF REPRODUCTION ARE IMPLIED. ALL DIMENSIONS ARE SUBJECT TO NORMAL MANUFACTURING VARIATIONS.		
<small>NEXT ASSY:</small>		<small>SIZE</small> A	<small>TYPE</small> C-	<small>DWG NO:</small> AWM-12S
		<small>SCALE:</small> NONE	<small>REVISION</small> A3	
		SHEET 1 OF 1		