

1 2 3 4 5 6

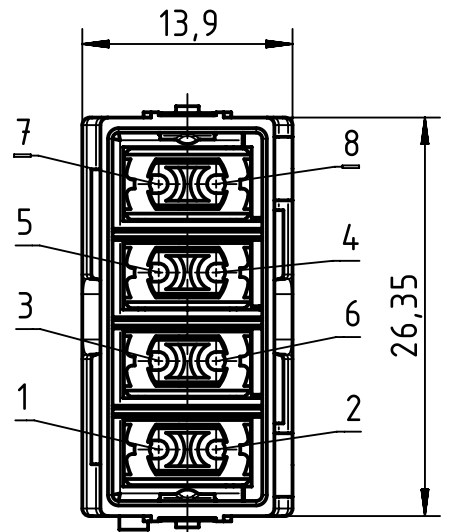
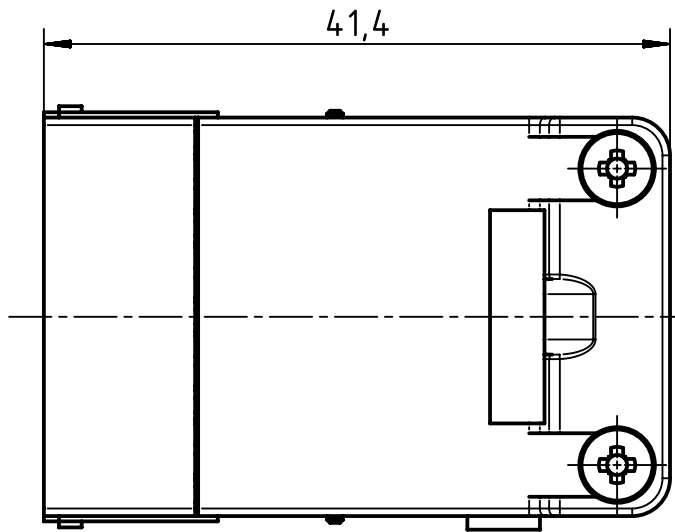
A

B

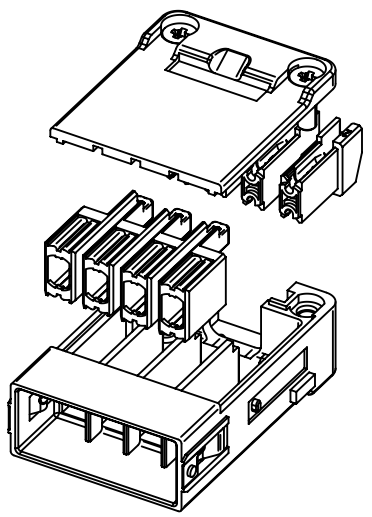
C

D

wiring acc. EIA/TIA 568A
view from termination side



| | | | |
|--------|-----|-----|--------------|
| brown | 8 ● | ● 7 | brown/white |
| blue | 4 ● | ● 5 | blue/white |
| orange | 6 ● | ● 3 | orange/white |
| green | 2 ● | ● 1 | green/white |



Kind of delivery: piece parts

| | | | | | | | |
|---|--|--|--|--------------------------|----------------------------|--|------------------------|
| | All Dimensions in mm Original Size DIN A4 | | Scale 2:1 | Free size tol. | | Ref. | |
| | All rights reserved Department EL PD - DE | | Created by GRUBES | Inspected by WANGJ | Standardisation RUETERA | Date 2013-07-11 | State Final Release |
| HARTING Electric GmbH & Co. KG D-32339 Espelkamp | | | Title Han GigaBit contact carrier, male | | | Doc-Key / ECM-Nr. 100174322/UGD/007/A 500000064217 | |
| | | | Type TB | Number 09 14 008 3011 | | Rev. A | Page 1/1 |