

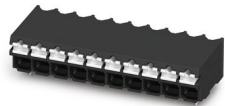
# SPT-SMD 1,5/ 2-H-3,5 R24 - PCB terminal block



1824527

<https://www.phoenixcontact.com/us/products/1824527>

Please be informed that the data shown in this PDF document is generated from our Online Catalog. Please find the complete data in the user documentation. Our General Terms of Use for Downloads are valid.



PCB terminal block, nominal current: 13.5 A, rated voltage (III/2): 160 V, nominal cross section: 1.5 mm<sup>2</sup>, number of potentials: 2, number of rows: 1, number of positions per row: 2, product range: SPT 1,5/..-H-SMD, pitch: 3.5 mm, connection method: Push-in spring connection, mounting: SMD soldering, conductor/PCB connection direction: 0 °, color: black, Pin layout: Linear pinning, Solder pin [P]: 2 mm, number of solder pins per potential: 1, type of packaging: 24 mm wide tape

## Your advantages

- Time saving push-in connection, tools not required
- Defined contact force ensures that contact remains stable over the long term
- Intuitive use through colour coded actuation lever
- Designed for integration into the SMT soldering process
- Quick and convenient testing using integrated test option
- Operation and conductor connection from one direction enable integration into front of device
- Anti-rotation pins reduce the mechanical strain on the soldering spots

## Commercial Data

Item number	1824527
Packing unit	1 pc
Minimum order quantity	300 pc
Sales Key	AA12
Product Key	AALDAB
Catalog Page	Page 7 (NTK-2014)
GTIN	4046356816625
Weight per Piece (including packing)	2.28 g
Weight per Piece (excluding packing)	2.28 g
Customs tariff number	85369010
Country of origin	PL

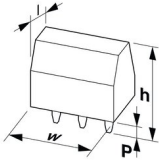
# SPT-SMD 1,5/ 2-H-3,5 R24 - PCB terminal block

1824527

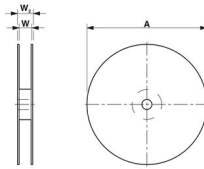
<https://www.phoenixcontact.com/us/products/1824527>

## Technical Data

### Dimensions

Dimensional drawing	
Pitch	3.5 mm
Width [w]	7.5 mm
Height [h]	9.7 mm
Length [l]	13.6 mm
Installed height	9.7 mm
Solder pin length [P]	2 mm

### Packaging specifications

Dimensional drawing	
Type of packaging	24 mm wide tape
[W] tape width	24 mm
[W2] coil overall dimension	30.4 mm
[A] coil diameter	330 mm
Outer packaging type	Transparent-Bag
ESD level	(D) electrostatically conductive
Specification	DIN EN 61340-5-1 (VDE 0300-5-1): 2008-07

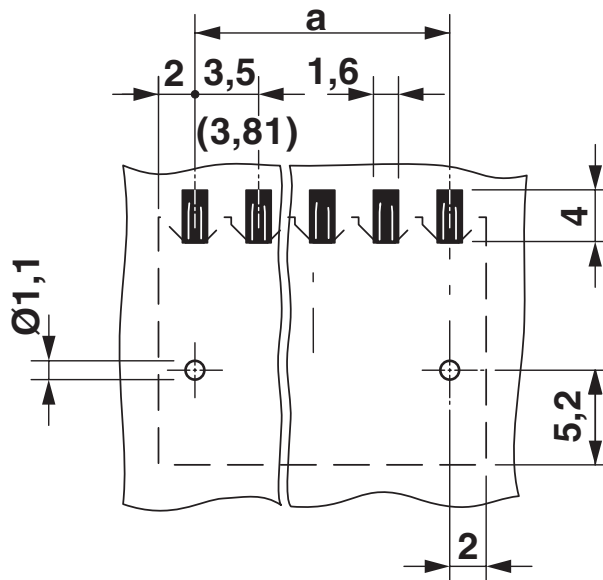
# SPT-SMD 1,5/ 2-H-3,5 R24 - PCB terminal block

1824527

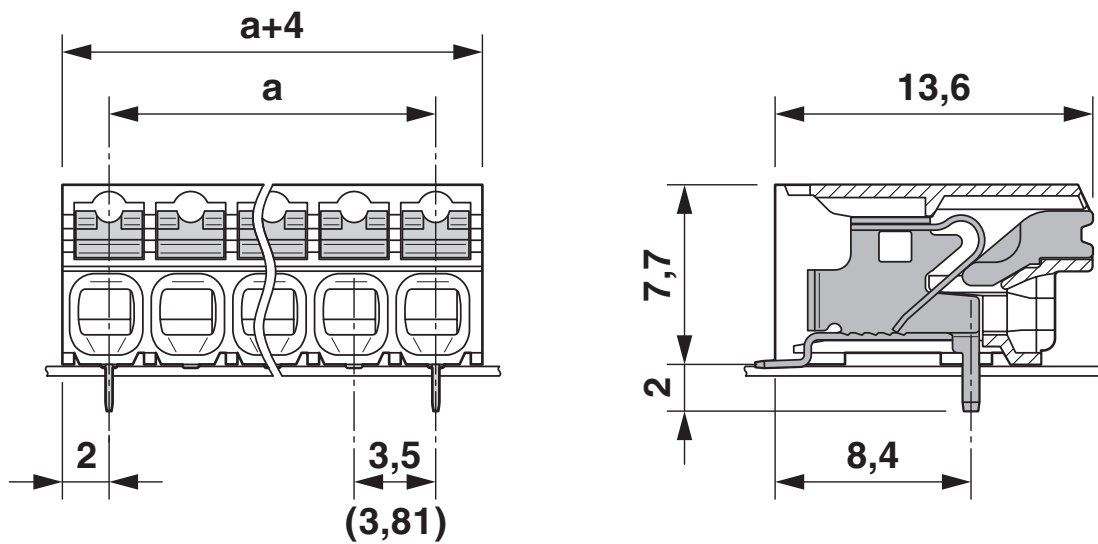
<https://www.phoenixcontact.com/us/products/1824527>

## Drawings

Drilling plan/solder pad geometry



Dimensional drawing

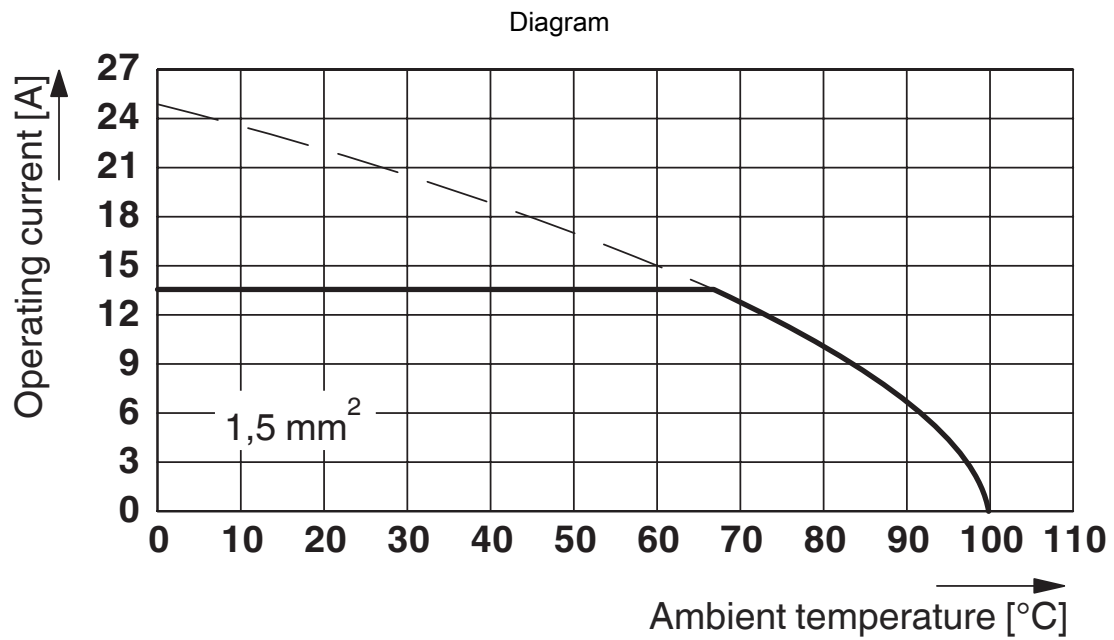


# SPT-SMD 1,5/ 2-H-3,5 R24 - PCB terminal block



1824527

<https://www.phoenixcontact.com/us/products/1824527>



Type: SPT-SMD 1,5/...-H-3,5(3,81) R..

Tested in accordance with DIN EN 60512-5-2:2003-01

Reduction factor = 1

Number of positions: 5

# SPT-SMD 1,5/ 2-H-3,5 R24 - PCB terminal block



1824527

<https://www.phoenixcontact.com/us/products/1824527>

## Approvals



**EAC**

Approval ID: B.01687



**cULus Recognized**

Approval ID: E60425-20061129



**VDE Zeichengenehmigung**

Approval ID: 40046113

# SPT-SMD 1,5/ 2-H-3,5 R24 - PCB terminal block



1824527

<https://www.phoenixcontact.com/us/products/1824527>

## Classifications

### ECLASS

ECLASS-10.0.1	27440401
ECLASS-11.0	27460101
ECLASS-12.0	27460101

### ETIM

ETIM 8.0	EC002643
----------	----------

### UNSPSC

UNSPSC 21.0	39121400
-------------	----------

# SPT-SMD 1,5/ 2-H-3,5 R24 - PCB terminal block



1824527

<https://www.phoenixcontact.com/us/products/1824527>

## Environmental Product Compliance

China RoHS	Environmentally friendly use period: unlimited = EFUP-e
	No hazardous substances above threshold values

# SPT-SMD 1,5/ 2-H-3,5 R24 - PCB terminal block



1824527

<https://www.phoenixcontact.com/us/products/1824527>

## Accessories

### SZS 0,4X2,5 VDE - Screwdriver

1205037

<https://www.phoenixcontact.com/us/products/1205037>



Screwdriver, slot-headed, VDE insulated, size: 0.4 x 2.5 x 80 mm, 2-component grip, with non-slip grip

---

### A 0,5 - 8 - Ferrule

3202481

<https://www.phoenixcontact.com/us/products/3202481>



Ferrule, length: 8 mm, color: silver



# SPT-SMD 1,5/ 2-H-3,5 R24 - PCB terminal block



1824527

<https://www.phoenixcontact.com/us/products/1824527>

## A 0,75- 8 - Ferrule

3202504

<https://www.phoenixcontact.com/us/products/3202504>

Ferrule, length: 8 mm, color: silver



---

## A 1 - 8 - Ferrule

3202517

<https://www.phoenixcontact.com/us/products/3202517>

Ferrule, length: 8 mm, color: silver



# SPT-SMD 1,5/ 2-H-3,5 R24 - PCB terminal block



1824527

<https://www.phoenixcontact.com/us/products/1824527>

## AI 0,25- 8 YE - Ferrule

3203037

<https://www.phoenixcontact.com/us/products/3203037>



Ferrule, sleeve length: 8 mm, length: 12.5 mm, color: yellow

---

## AI 0,5 - 8 WH - Ferrule

3200014

<https://www.phoenixcontact.com/us/products/3200014>



Ferrule, sleeve length: 8 mm, length: 14 mm, color: white

# SPT-SMD 1,5/ 2-H-3,5 R24 - PCB terminal block



1824527

<https://www.phoenixcontact.com/us/products/1824527>

## AI 0,5 - 8 WH -1000 - Ferrule

3200881

<https://www.phoenixcontact.com/us/products/3200881>



Ferrule, sleeve length: 8 mm, length: 14 mm, color: white

---

## AI 0,75- 8 GY - Ferrule

3200519

<https://www.phoenixcontact.com/us/products/3200519>



Ferrule, sleeve length: 8 mm, length: 14 mm, color: gray

# SPT-SMD 1,5/ 2-H-3,5 R24 - PCB terminal block



1824527

<https://www.phoenixcontact.com/us/products/1824527>

## AI 0,75- 8 GY -1000 - Ferrule

3200894

<https://www.phoenixcontact.com/us/products/3200894>

Ferrule, sleeve length: 8 mm, length: 14 mm, color: gray



---

## CRIMPFOX 6 - Crimping pliers

1212034

<https://www.phoenixcontact.com/us/products/1212034>



Crimping pliers, for ferrules without insulating collar according to DIN 46228 Part 1 and ferrules with insulating collar according to DIN 46228 Part 4, 0.25 mm<sup>2</sup> ... 6.0 mm<sup>2</sup>, lateral entry, trapezoidal crimp

---

Phoenix Contact 2023 © - all rights reserved  
<https://www.phoenixcontact.com>

Phoenix Contact USA  
586 Fulling Mill Road  
Middletown, PA 17057, United States  
(+717) 944-1300  
[info@phoenixcon.com](mailto:info@phoenixcon.com)