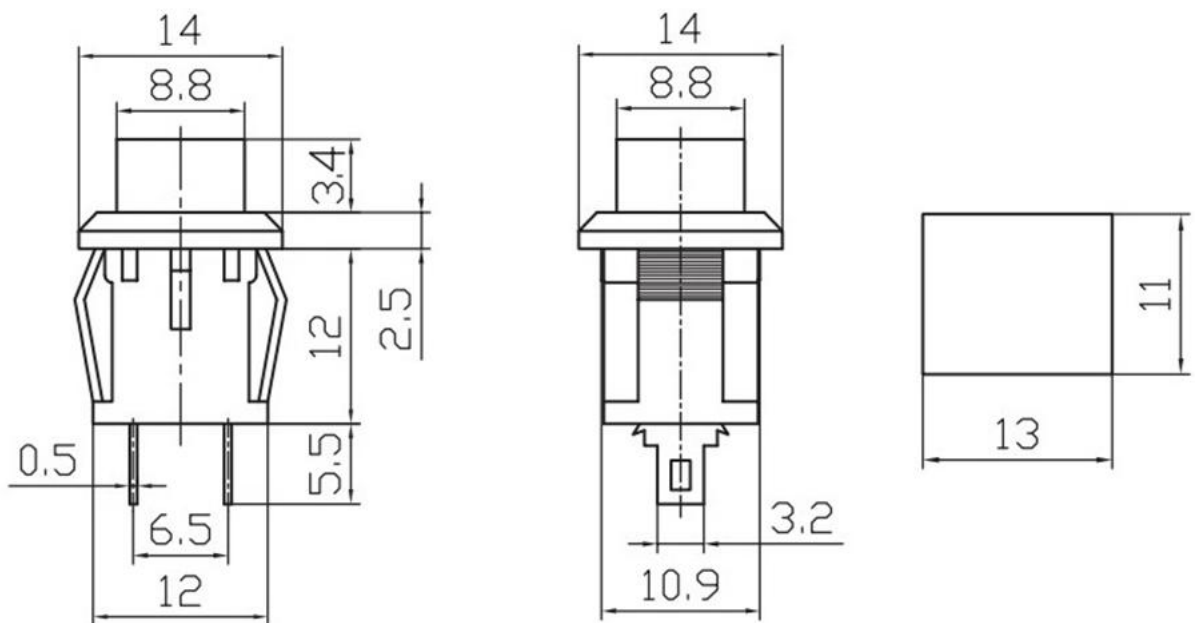
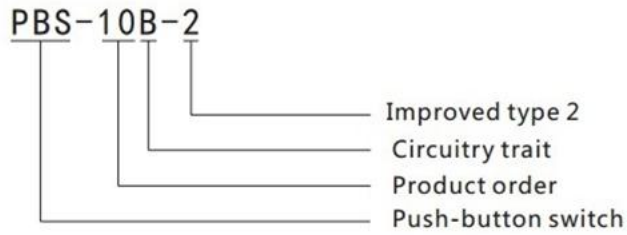


# КНОПКА СЕРИИ PBS-15C

ON-(OFF)



## Ordering Information



## Specification

1. Rating:3A 125VAC;1A 250VAC
2. Contact Resistance:20mΩ max
3. Insulation Resistance:500VDC 100MΩ min
4. Dielectric Strength:1000VAC, 1Minute
5. Operating Temperature:-25°C ~ +85°C
6. Electrical Life:50,000 Cycles

## Circuitry trait

A	ON - OFF	Push on/Push off	With lock
B	(ON) - OFF	Push on	Momentary(Open type)
C	ON - (OFF)	Push off	Momentary(Close type)
( ): Indicates Momentary			