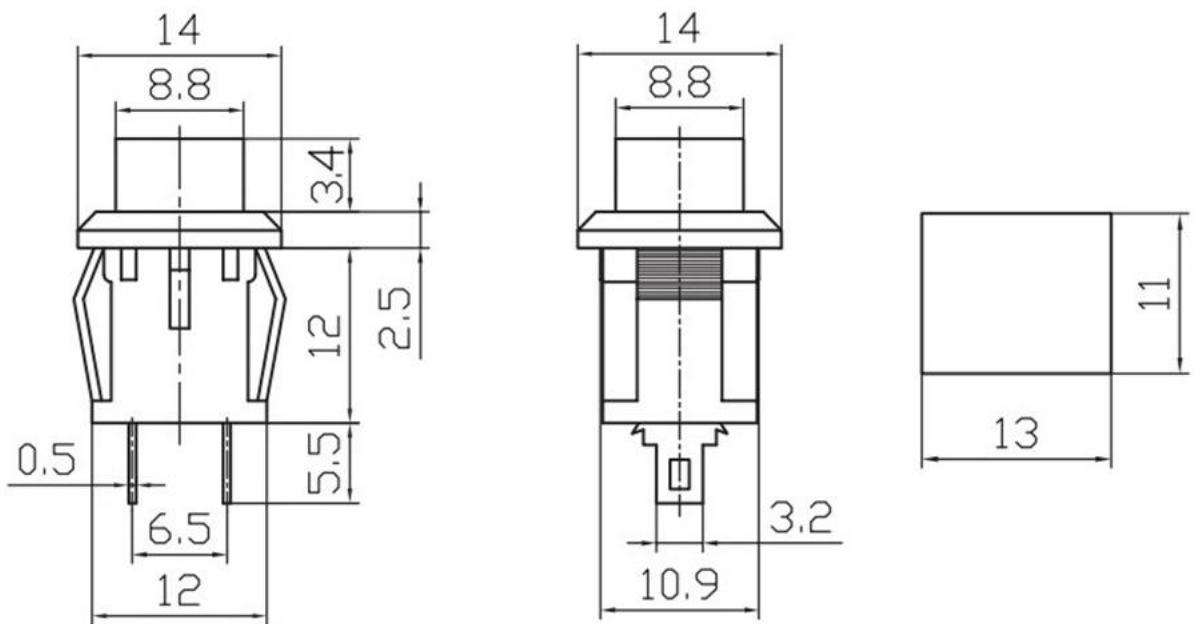
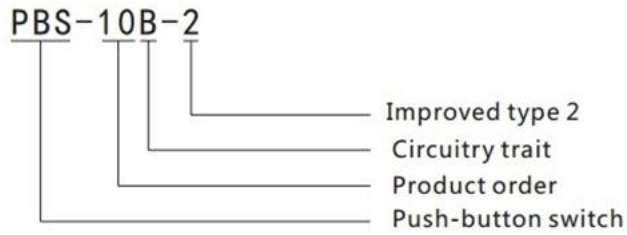


# КНОПКА СЕРИИ PBS-15A

OFF-ON



## Ordering Information



## Specification

1. Rating:3A 125VAC;1A 250VAC
2. Contact Resistance:20mΩ max
3. Insulation Resistance:500VDC 100MΩ min
4. Dielectric Strength:1000VAC, 1Minute
5. Operating Temperature:-25°C ~ +85°C
6. Electrical Life:50,000 Cycles

## Circuitry trait

|                          |            |                  |                       |
|--------------------------|------------|------------------|-----------------------|
| A                        | ON - OFF   | Push on/Push off | With lock             |
| B                        | (ON) - OFF | Push on          | Momentary(Open type)  |
| C                        | ON - (OFF) | Push off         | Momentary(Close type) |
| ( ): Indicates Momentary |            |                  |                       |