

# Straight BNC Bulkhead Jack Receptacle, Solder

**multicomp** PRO



## Specifications

Connector Body Style : Straight Bulkhead Jack Receptacle  
 Coaxial Termination : Solder  
 Connector Mounting : Panel

## Electrical Specifications

Frequency Range : DC 6GHz  
 Nominal Impedance : 75Ω  
 Voltage Rating : 500V Max.  
 VSWR : 1.3 Max.

## Material Specifications

Bodies : Brass per JIS-C3604  
 Centre Contact : Beryllium Copper per ASTM B196 UNS C17300  
 Insulation : PTFE per ASTM D1457 and ASTM D1710

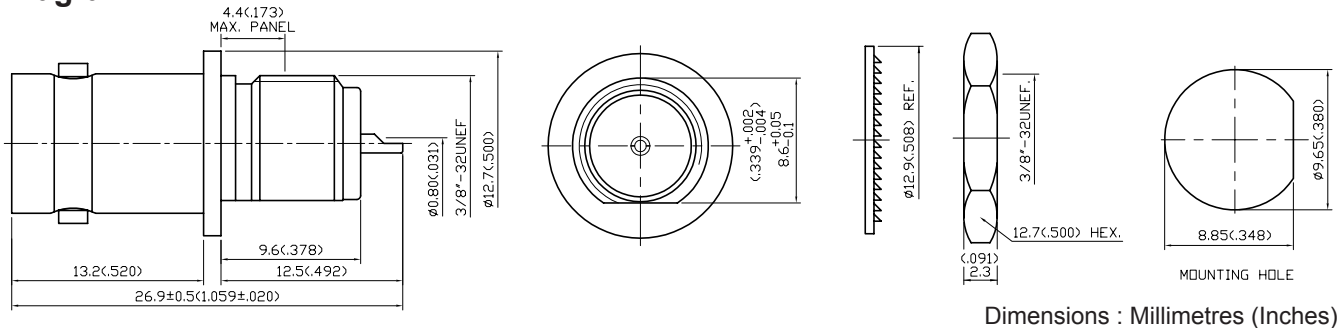
## Mechanical Specifications

Interface in accordance with : MIL-STD-348B

## Environmental Specification

Operating Temperature : -65°C to +165°C

## Diagram



No.	Description	Material	Finish
1	Body	Brass	Nickel 100μ" Min.
2	Insulation	PTFE	-
3	Centre Contact	Beryllium Copper	Gold 3μ" Min.
4	Washer	Steel	Nickel
5	Nut	Brass	Nickel

## Part Number Table

Description	Part Number
Straight BNC Bulkhead Jack Receptacle, Solder, 75Ω	MC002949

**Important Notice** : This data sheet and its contents (the "Information") belong to the members of the AVNET group of companies (the "Group") or are licensed to it. No licence is granted for the use of it other than for information purposes in connection with the products to which it relates. No licence of any intellectual property rights is granted. The Information is subject to change without notice and replaces all data sheets previously supplied. The Information supplied is believed to be accurate but the Group assumes no responsibility for its accuracy or completeness, any error in or omission from it or for any use made of it. Users of this data sheet should check for themselves the Information and the suitability of the products for their purpose and not make any assumptions based on information included or omitted. Liability for loss or damage resulting from any reliance on the Information or use of it (including liability resulting from negligence or where the Group was aware of the possibility of such loss or damage arising) is excluded. This will not operate to limit or restrict the Group's liability for death or personal injury resulting from its negligence. Multicomp Pro is the registered trademark of Premier Farnell Limited 2019.

Newark.com/multicomp-pro  
 Farnell.com/multicomp-pro  
 Element14.com/multicomp-pro

**multicomp** PRO