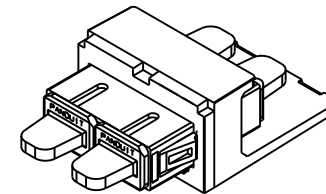
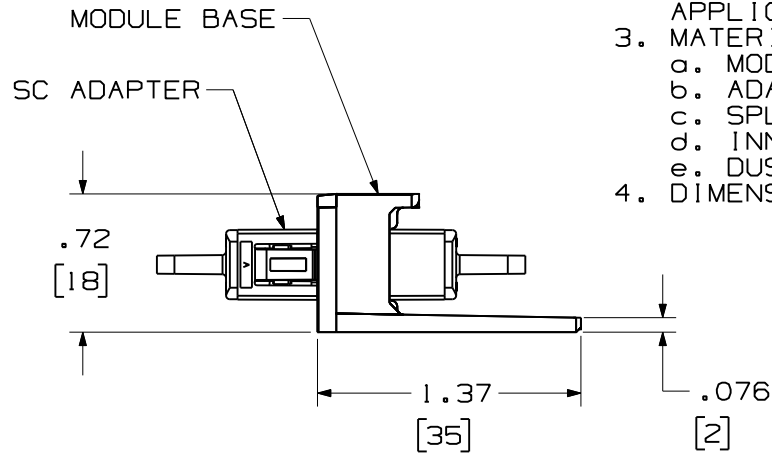
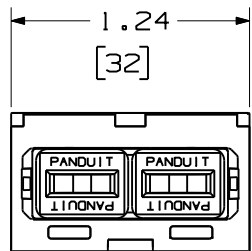
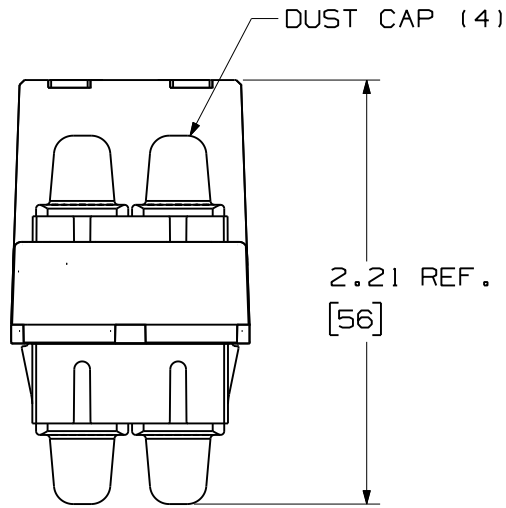


THIS COPY IS PROVIDED ON A RESTRICTED BASIS AND IS NOT TO BE USED IN ANY WAY DETRIMENTAL TO THE INTERESTS OF PANDUIT CORP.




PANDUIT P/N	WEIGHT	SPLIT SLEEVE TYPE
CMDAQSC**	2.2 lbs/100 pcs (980.0 g/100 pcs)	PHOS BRONZE
CMDEISC**		
CMDBUSC**		
CMDAGSCZ**	2.2 lbs/100 pcs (980.0 g/100 pcs)	ZIRCONIA
CMDAQSCZ**		
CMDEISCZ**		
CMDBUSCZ**		

NOTES:

1. SEE CURRENT CATALOG FOR PART NUMBER SUFFIXES TO INDICATE COLOR OF MODULE BASE, AND/OR PACKAGE QUANTITIES.
2. SEE CATALOG FOR COMPLETE LIST OF PARTS APPLICABLE FOR USE WITH THIS PART.
3. MATERIALS:
 - a. MODULE BASE: PLASTIC
 - b. ADAPTER HOUSING: PLASTIC
 - c. SPLIT SLEEVE: ZIRCONIA/PHOS BRONZE
 - d. INNER LATCH: POLYETHERIMIDE
 - e. DUST CAP: ELASTOMER
4. DIMENSIONS IN PARENTHESES ARE IN METRIC.

REV	DATE	BY	CHK	DESCRIPTION	ECN	R	CUST	SUP	OTH
3	10-30-07	MC		RELEASED TO PRODUCTION	01115-09				

MINI-COM DUPLEX SC MODULE
CUSTOMER DRAWING



PANDUIT™
CORP.
TINLEY PARK, ILL 60477

ALL DIMENSIONS ARE GIVEN IN INCHES
UNLESS OTHERWISE SPECIFIED.

DIMENSIONAL TOLERANCES ARE:
(.X) (.XXX)±.010 (0.3)
(.XX)±.03 (0.8) ANGLES

DRAWING FILENAME
MO1115BG_DC_01A.prt

SCALE
NONE

PART NO.
SEE TABLE

DRAWING NO.
01115-09

SIZE
A

THIRD ANGLE
PROJECTION

DRAWN BY
MC

DATE
06-20-01

CHK'D
PJ1

REVIEW DRAWING NUMBERS

Mouser Electronics

Authorized Distributor

Click to View Pricing, Inventory, Delivery & Lifecycle Information:

Panduit:

[CMDBUSCZBU](#) [CMDAGSCZBL](#) [CMDEISCWH](#) [CMDAQSCZBL](#) [CMDEISCIW](#) [CMDAQSCBL](#) [CMDBLSCBL](#)
[CMDBUSCBL](#)