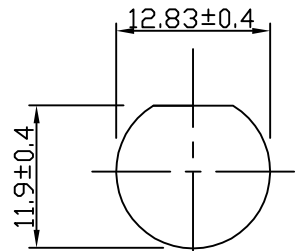
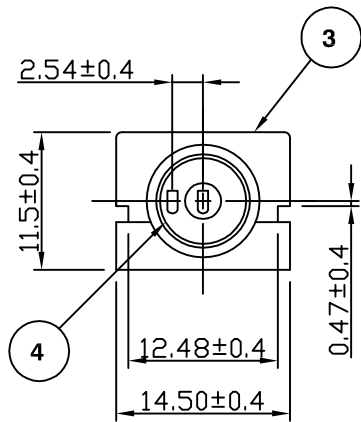
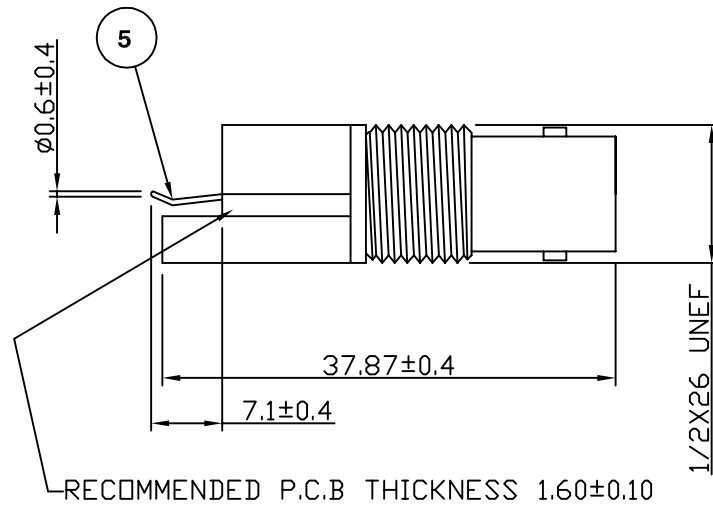
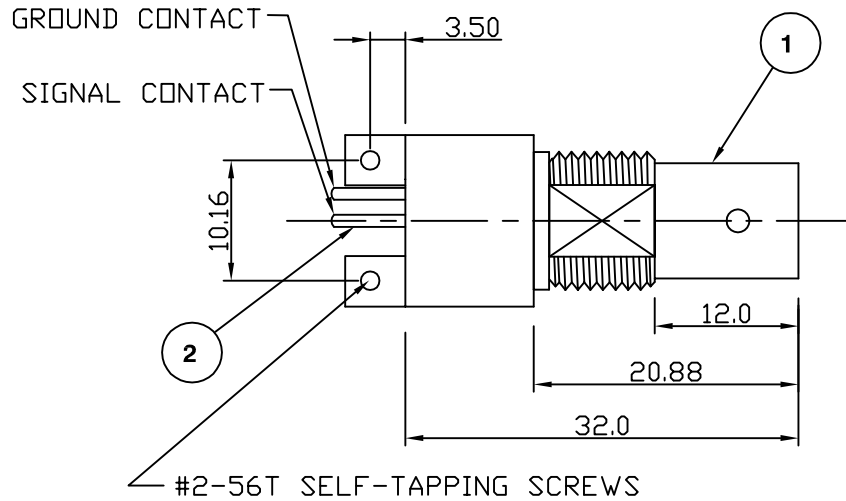


RoHS COMPLIANT



PANEL CUTOUT



Electrical Characteristics

| | |
|-------------------------------------|-----------------------------|
| Nominal Impedance: | 75 ohms |
| Frequency Range: | DC to 1 GHz |
| Insertion Loss: | 0.2 dB at 1 GHz |
| Operating Voltage (rms): | 500 V maximum at sea level |
| Dielectric Withstand Voltage (rms): | 1500 V maximum at sea level |
| Contact Resistance: | 3.0 milliohms maximum |
| Insulation Resistance: | 5000 megohms minimum |

Mechanical Characteristics

| | |
|-----------------------|------------------------|
| Mating Cycles: | 500 cycles minimum |
| Interface Dimensions: | Conform to MIL-C-39012 |

Environmental Characteristics

| | |
|--------------------|------------------|
| Temperature Range: | -55 °C to +85 °C |
|--------------------|------------------|

| PART | DESCRIPTION |
|-------------------|---|
| 1 Body | Zinc Alloy, nickel plated 2.54 µm |
| 2 Contact | Gold plated at contact area Tin/Lead plated at tail 1.22µm to 2.54µm, nickel plated |
| 3 Housing | PBT (UL 94 V-0) |
| 4 Insulator | Polypropylene UL 94HB |
| 5 Ground Terminal | Copper, tin plated |

| | | | |
|-------------------------|-------|-----|-----------|
| Dimensional Update | JT | 2 | 13 May 10 |
| First Issue | SN | 1 | 11 Oct 01 |
| DESCRIPTION OF REVISION | APPVD | ISS | DATE |



Cinch Connectivity Solutions
 7-13 Russel Way,
 Widford Industrial Estate,
 Chelmsford, Essex,
 CM1 3AA, UK.
 Tel: +44 (0) 1245 359515
 Fax: +44 (0) 1245 358938

SCALE: Not To Scale

DIMENSIONS: mm

TOLERANCES:
 ± 0.2mm unless
 otherwise stated

DRAWN BY:

S Nash

CHECKED BY:

R Drennan

APPROVED BY:

P Couzens

DATE:

11 Oct 01

TITLE:

BNC PCB Edge Mount Jack

PART NUMBER:

VBI402-75

PAGE: 1 of 1

Mouser Electronics

Authorized Distributor

Click to View Pricing, Inventory, Delivery & Lifecycle Information:

[Cinch Connectivity Solutions:](#)

[VBI402-75](#)