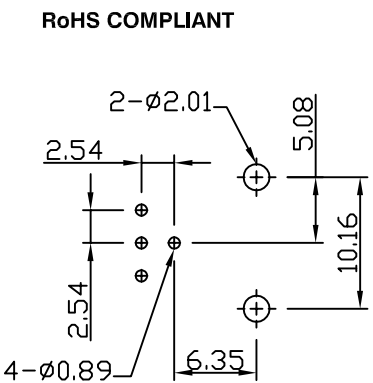
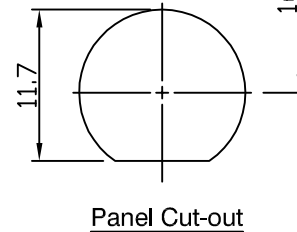
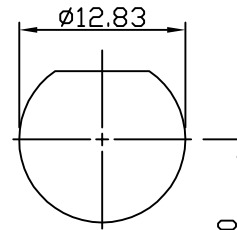
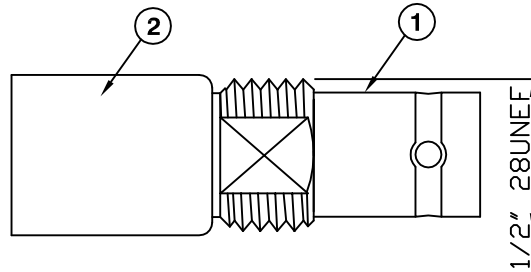
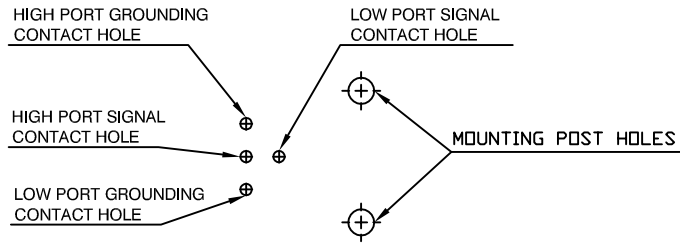


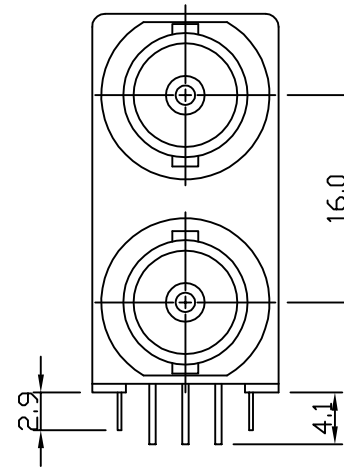
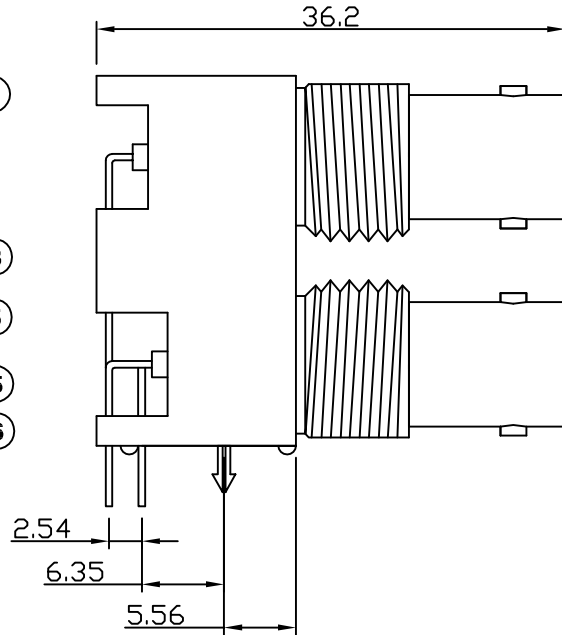
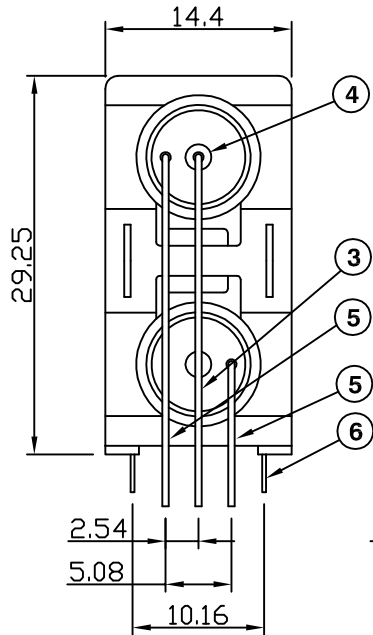
**RoHS COMPLIANT**



Recommend PCB Layout  
Viewed From Top



Panel Cut-out



**Electrical Characteristics**

Nominal Impedance:	50 ohms
Frequency Range:	DC to 1 GHz
Operating Voltage (rms):	500 V maximum at sea level
Dielectric Withstand Voltage (rms):	1500 V maximum at sea level
Contact Resistance:	3.0 milliohms maximum
Insulation Resistance:	5000 megohms minimum

**Mechanical Characteristics**

Mating Cycles:	500 cycles minimum
Interface Dimensions:	Conform to MIL-C-39012

**Environmental Characteristics**

Temperature Range:	-65 °C to +165 °C
--------------------	-------------------

PART	DESCRIPTION
1	Housing PBT+30%G.F(UL94-VO)
2	Conn. Body Nickel Plating Over Zinc Alloy
3	Center Contact Phosphorus Bronze With Gold Plating At Contact Area Tin Plating At Tail
4	Insulator Polypropylene UL 94HB
5	Grounding Term Tin Plating Over Copper Wire
6	Mounting Hook Tin Plating Over Brass >5 Microns

Corrected drawing, added housing	JW	2	02 Aug 05
First Issue	SN	1	07 Aug 02
DESCRIPTION OF REVISION	APPVD	ISS	DATE



Cinch Connectivity Solutions  
7-13 Russei Way,  
Widford Industrial Estate,  
Chelmsford, Essex,  
CM1 3AA, UK.  
Tel: +44 (0) 1245 359515  
Fax: +44 (0) 1245 358938

SCALE: Not To Scale

DIMENSIONS: mm

TOLERANCES:  
± 0.2mm unless  
otherwise stated

DRAWN BY: J Williams

CHECKED BY: M Terry

APPROVED BY: M Terry

DATE: 02 Aug 05

TITLE:  
**Insulated Dual Port Right  
Angle BNC PCB Mount Jack**

PART NUMBER:

**VBI501**

PAGE: 1 of 1

# Mouser Electronics

Authorized Distributor

Click to View Pricing, Inventory, Delivery & Lifecycle Information:

[Cinch Connectivity Solutions:](#)

[VBI501](#)