



Relays, Contactors & Switches > Switches > Switch Knobs



Product Type: **Knob**

Material: **Phenolic**

Knob Design: **Fluted**

Shaft Size: **6.35 mm [ .25 in ]**

Diameter: **19 mm [ .748 in ]**

### Features

#### Product Type Features

Product Type	Knob
--------------	------

#### Configuration Features

Skirt	With
Spinner	Without
Spin Plate	Without
Knob Design	Fluted

#### Body Features

Material	Phenolic
Color	Black

#### Dimensions

Shaft Size	6.35 mm[.25 in]
Diameter	19 mm[.748 in]

#### Identification Marking

Indicator Style	Line
Indicator Location	Top, Side & Skirt

#### Other

Comment	Top spun aluminum inlay
---------	-------------------------

### Product Compliance


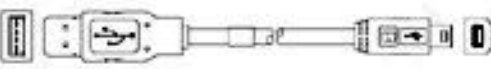
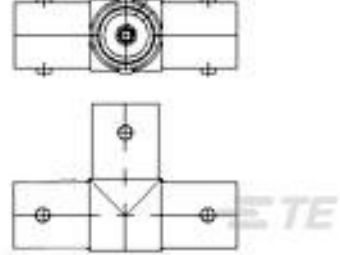

[For compliance documentation, visit the product page on TE.com>](#)

EU RoHS Directive 2011/65/EU	符合
EU ELV Directive 2000/53/EC	符合
China RoHS 2 Directive MIIT Order No 32, 2016	没有超出阈值的受限材料
EU REACH Regulation (EC) No. 1907/2006	欧洲化学品管理局最新发布的SvHCs候选清单: 2019年7月 (201) SvHCs候选清单的声明更新至: 2018年6月 (191) 不含REACH SVHC
EU REACH Regulation (EC) No. 1907/2006	欧洲化学品管理局最新发布的SvHCs候选清单: 2019年7月 (201) SvHCs候选清单的声明更新至: 2018年6月 (191)
Halogen Content	低卤素 - 每种匀质材料的 Br、Cl、F、I < 900 ppm。也不含 BFR/CFR/PVC
Solder Process Capability	不适合采用焊接工艺

Product Compliance Disclaimer

This information is provided based on reasonable inquiry of our suppliers and represents our current actual knowledge based on the information they provided. This information is subject to change. The part numbers that TE has identified as EU RoHS compliant have a maximum concentration of 0.1% by weight in homogenous materials for lead, hexavalent chromium, mercury, PBB, PBDE, DBP, BBP, DEHP, DIBP, and 0.01% for cadmium, or qualify for an exemption to these limits as defined in the Annexes of Directive 2011/65/EU (RoHS2). Finished electrical and electronic equipment products will be CE marked as required by Directive 2011/65/EU. Components may not be CE marked. Additionally, the part numbers that TE has identified as EU ELV compliant have a maximum concentration of 0.1% by weight in homogenous materials for lead, hexavalent chromium, and mercury, and 0.01% for cadmium, or qualify for an exemption to these limits as defined in the Annexes of Directive 2000/53/EC (ELV). Regarding the REACH Regulations, TE's information on SVHC in articles for this part number is still based on the European Chemical Agency (ECHA) 'Guidance on requirements for substances in articles' (Version: 2, April 2011), applying the 0.1% weight on weight concentration threshold at the finished product level. TE is aware of the European Court of Justice ruling of September 10th, 2015 also known as O5A (Once An Article Always An Article) stating that, in case of 'complex object', the threshold for a SVHC must be applied to both the product as a whole and simultaneously to each of the articles forming part of its composition. TE has evaluated this ruling based on the new ECHA "Guidance on requirements for substances in articles" (June 2017, version 4.0) and will be updating its statements accordingly.

### Customers Also Bought

 <p>TE Model / Part #5-1634532-1 BNC T Adpt JPJ 50Ohm Nickel Gold Pltd</p>	 <p>TE Model / Part #1487588-2 USB, A-B, 28/24, WHITE, 1.5M</p>	 <p>TE Model / Part #5-1634535-1 BNC TAdp JJJ 50Ohm Nickel Pltd</p>	 <p>TE Model / Part #1622297-1 LR1 1% 100R</p>
---	---	--	---



## Documents

### Product Drawings

[PKES60B1/4=KNOB PLSTC FLUTED W](#)

English

### CAD Files

Customer View Model

[ENG\\_CVM\\_5-1437624-0\\_A.3d\\_igs.zip](#)

English

Customer View Model

[ENG\\_CVM\\_5-1437624-0\\_A.3d\\_stp.zip](#)

English

Customer View Model

[ENG\\_CVM\\_5-1437624-0\\_A.2d\\_dxf.zip](#)

English

### 3D PDF

English

By downloading the CAD file I accept and agree to the [Terms and Conditions](#) of use.