

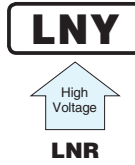
ALUMINUM ELECTROLYTIC CAPACITORS



LNY

Screw Terminal Type, 85°C Higher Capacitance

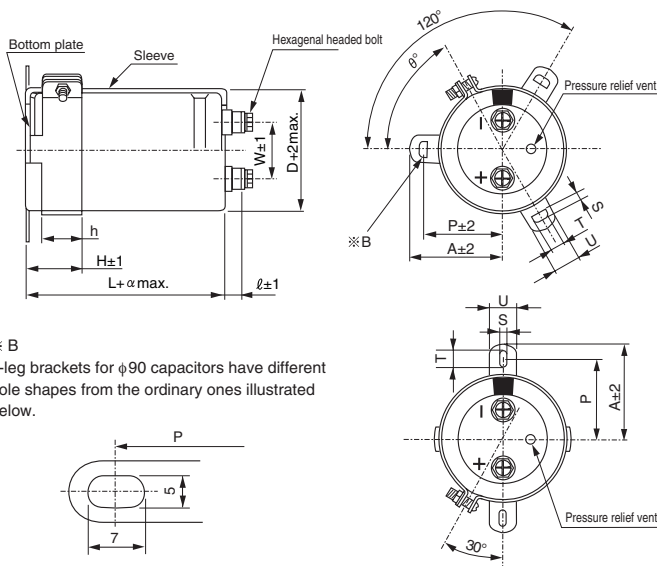
- Suited for equipment down sizing.
- Load life of 2000 hours application of ripple current at 85°C
- Compliant to the RoHS directive (2011/65/EU,(EU)2015/863).



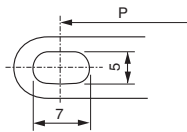
Specifications

Item	Performance Characteristics	
Category Temperature Range	- 40 to +85°C	
Rated Voltage Range	350 to 450V	
Rated Capacitance Range	820 to 22000μF	
Capacitance Tolerance	±20% (120Hz, 20°C)	
Leakage Current	After 5 minutes' application of rated voltage, leakage current is not more than $3\sqrt{CV}$ (μA) or 5 mA, whichever is smaller. (at 20°C) [C: Rated Capacitance(μF), V: Voltage (V)]	
Tangent of loss angle (tan δ)	See refer to next page (Measurement frequency : 120Hz at 20°C)	
Stability at Low Temperature	Rated voltage (V)	350 to 450
	Impedance ratio (max.)	Z(-40°C) / Z(+20°C) 12
Measurement frequency : 120Hz		
Insulation Resistance	The insulation resistance shall be more than 100MΩ at DC 500V application between terminal and bracket.	
Voltage proof	There is no abnormality during AC 2500V 1 minute's application between terminal and bracket.	
Endurance	The specifications listed at right shall be met when the capacitors are restored to 20°C after D.C. bias plus rated ripple current is applied for 2000 hours at 85°C, the peak voltage shall not exceed the rated voltage.	
	Capacitance change	Within ±20% of the initial capacitance value
	tan δ	300% or less than the initial specified value
Shelf Life	After storing the capacitors under no load at 85°C for 1000 hours and then performing voltage treatment based on JIS C 5101-4 clause 4.1 at 20°C, they shall meet the requirements listed at right.	
	Capacitance change	Within ±20% of the initial capacitance value
	tan δ	300% or less than the initial specified value
Leakage current	Less than or equal to the initial specified value	
	Less than or equal to the initial specified value	
Marking	Printed with white color letter on black sleeve	

Drawing

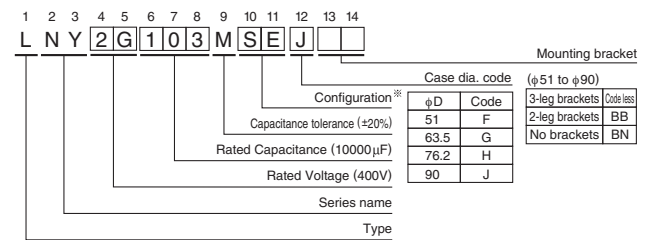


※ B
3-leg brackets for φ90 capacitors have different hole shapes from the ordinary ones illustrated below.



Note) The brackets will be supplied in the separate box.

Type numbering system (Example: 400V 10000μF)



※ Configuration

Cr (III) Plating (RoHS compliant)
SE

Please refer to the Guidelines for Aluminum Electrolytic Capacitors for dimensions information.

※ Please contact to us if PVCless products are required.

● Dimension of terminal pitch (W) and length (ℓ) and Nominal dia. of bolt (mm)

φD	W	ℓ	α	Nominal dia. of bolt
51	22.0	6	3	M5
63.5	28.6	6	3	M5
76.2	31.8	6	3	M5
90	31.8	6	3	M5

● Dimension of mounting bracket (mm)

Symbol	3-Leg				2-Leg			
	51	63.5	76.2	90	51	63.5	76.2	90
P	32.5	38.1	44.5	50.8	33.2	40.5	46.5	53
A	38.5	43	49.2	58.5	40	46.5	53	59
T	7.5	8.0	7.0	8.0	6.0	7.0	6.0	6.0
S	5.0	5.0	5.0	5.0	4.5	4.5	4.5	4.5
U	12	14	14	18	14	14	14	14
θ	60	60	60	60	30	30	30	30
H	20	25	30	35	25	35	35	35
h	15	20	24	25	15	20	20	20

● Dimension table in next page.

LNy

■ Dimensions

350V (2V)					
Cap. (μF)	Size φD × L (mm)	Rated ripple (Arms)	tan δ	Leakage Current (mA)	Code
1500	51 × 60	9.3	0.25	2.17	LNy2V152MSEF
1800	51 × 70	10.0	0.25	2.38	LNy2V182MSEF
2200	51 × 80	11.1	0.25	2.63	LNy2V222MSEF
2700	51 × 90	12.2	0.25	2.92	LNy2V272MSEF
	63.5 × 65	11.9	0.25	2.92	LNy2V272MSEG
3300	51 × 105	13.8	0.25	3.22	LNy2V332MSEF
	63.5 × 75	13.1	0.25	3.22	LNy2V332MSEG
3900	51 × 130	14.8	0.25	3.50	LNy2V392MSEF
	63.5 × 80	14.1	0.25	3.50	LNy2V392MSEG
4700	51 × 140	15.9	0.25	3.84	LNy2V472MSEF
	63.5 × 90	15.8	0.25	3.84	LNy2V472MSEG
	76.2 × 70	15.7	0.25	3.84	LNy2V472MSEH
5600	63.5 × 100	17.1	0.25	4.20	LNy2V562MSEG
	76.2 × 85	17.0	0.25	4.20	LNy2V562MSEH
6800	63.5 × 125	19.2	0.25	4.62	LNy2V682MSEG
	76.2 × 95	18.8	0.25	4.62	LNy2V682MSEH
8200	63.5 × 145	20.6	0.25	5.00	LNy2V822MSEG
	76.2 × 105	20.2	0.25	5.00	LNy2V822MSEH
10000	63.5 × 165	23.2	0.25	5.00	LNy2V103MSEG
	76.2 × 125	23.5	0.25	5.00	LNy2V103MSEH
	90 × 95	23.5	0.25	5.00	LNy2V103MSEJ
12000	76.2 × 150	24.0	0.25	5.00	LNy2V123MSEH
	90 × 110	24.1	0.25	5.00	LNy2V123MSEJ
15000	76.2 × 190	28.0	0.25	5.00	LNy2V153MSEH
	90 × 140	29.2	0.25	5.00	LNy2V153MSEJ
18000	76.2 × 210	30.2	0.25	5.00	LNy2V183MSEH
	90 × 155	31.1	0.25	5.00	LNy2V183MSEJ
22000	90 × 190	35.4	0.25	5.00	LNy2V223MSEJ

400V (2G)					
Cap. (μF)	Size φD × L (mm)	Rated ripple (Arms)	tan δ	Leakage Current (mA)	Code
1000	51 × 60	6.4	0.25	1.89	LNy2G102MSEF
1200	51 × 65	7.1	0.25	2.07	LNy2G122MSEF
1500	51 × 75	8.1	0.25	2.32	LNy2G152MSEF
1800	51 × 85	8.7	0.25	2.54	LNy2G182MSEF
	63.5 × 65	9.1	0.25	2.54	LNy2G182MSEG
2200	51 × 95	9.6	0.25	2.81	LNy2G222MSEF
	63.5 × 75	10.1	0.25	2.81	LNy2G222MSEG
2700	51 × 115	10.5	0.25	3.11	LNy2G272MSEF
	63.5 × 85	11.6	0.25	3.11	LNy2G272MSEG
3300	51 × 145	12.4	0.25	3.44	LNy2G332MSEF
	63.5 × 95	13.0	0.25	3.44	LNy2G332MSEG
3900	51 × 170	13.8	0.25	3.74	LNy2G392MSEF
	63.5 × 105	14.2	0.25	3.74	LNy2G392MSEG
	76.2 × 85	14.6	0.25	3.74	LNy2G392MSEH
4700	63.5 × 125	16.1	0.25	4.11	LNy2G472MSEG
	76.2 × 95	16.2	0.25	4.11	LNy2G472MSEH
5600	63.5 × 140	16.9	0.25	4.48	LNy2G562MSEG
	76.2 × 105	17.6	0.25	4.48	LNy2G562MSEH
6800	63.5 × 165	19.1	0.25	4.94	LNy2G682MSEG
8200	63.5 × 210	21.2	0.25	5.00	LNy2G822MSEG
	76.2 × 150	21.2	0.25	5.00	LNy2G822MSEH
	90 × 120	21.0	0.25	5.00	LNy2G822MSEJ
10000	76.2 × 170	22.4	0.25	5.00	LNy2G103MSEH
	90 × 130	22.0	0.25	5.00	LNy2G103MSEJ
12000	76.2 × 220	26.0	0.25	5.00	LNy2G123MSEH
	90 × 155	26.0	0.25	5.00	LNy2G123MSEJ
15000	90 × 190	28.3	0.25	5.00	LNy2G153MSEJ
18000	90 × 230	30.6	0.25	5.00	LNy2G183MSEJ

450V (2W)					
Cap. (μF)	Size φD × L (mm)	Rated ripple (Arms)	tan δ	Leakage Current (mA)	Code
820	51 × 60	4.9	0.25	1.82	LNy2W821MSEF
1000	51 × 70	5.5	0.25	2.01	LNy2W102MSEF
1200	51 × 75	6.0	0.25	2.20	LNy2W122MSEF
1500	51 × 85	6.8	0.25	2.46	LNy2W152MSEF
	63.5 × 65	7.9	0.25	2.46	LNy2W152MSEG
1800	51 × 95	7.9	0.25	2.70	LNy2W182MSEF
	63.5 × 75	8.9	0.25	2.70	LNy2W182MSEG
2200	51 × 125	9.2	0.25	2.98	LNy2W222MSEF
	63.5 × 85	9.8	0.25	2.98	LNy2W222MSEG
2700	51 × 145	10.3	0.25	3.30	LNy2W272MSEF
	63.5 × 90	10.8	0.25	3.30	LNy2W272MSEG
3300	51 × 170	11.1	0.25	3.65	LNy2W332MSEF
	63.5 × 105	12.0	0.25	3.65	LNy2W332MSEG
	76.2 × 85	12.6	0.25	3.65	LNy2W332MSEH
3900	63.5 × 125	13.5	0.25	3.97	LNy2W392MSEG
	76.2 × 95	14.0	0.25	3.97	LNy2W392MSEH
4700	63.5 × 145	15.2	0.25	4.36	LNy2W472MSEG
	76.2 × 105	15.6	0.25	4.36	LNy2W472MSEH
5600	63.5 × 165	17.0	0.25	4.76	LNy2W562MSEG
	76.2 × 125	17.6	0.25	4.76	LNy2W562MSEH
6800	63.5 × 210	19.1	0.25	5.00	LNy2W682MSEG
	76.2 × 150	19.6	0.25	5.00	LNy2W682MSEH
	90 × 120	19.5	0.25	5.00	LNy2W682MSEJ
8200	76.2 × 170	20.1	0.25	5.00	LNy2W822MSEH
	90 × 130	20.1	0.25	5.00	LNy2W822MSEJ
10000	76.2 × 210	23.0	0.25	5.00	LNy2W103MSEH
	90 × 155	22.9	0.25	5.00	LNy2W103MSEJ
12000	90 × 190	26.0	0.25	5.00	LNy2W123MSEJ
15000	90 × 220	29.6	0.25	5.00	LNy2W153MSEJ

● Frequency coefficient of rated ripple current

Frequency (Hz)	50	60	120	360	1k	10k or more
Coefficient	0.80	0.82	1.00	1.20	1.35	1.40

Rated ripple current (Arms) at 85°C 120Hz

Mouser Electronics

Authorized Distributor

Click to View Pricing, Inventory, Delivery & Lifecycle Information:

Nichicon:

[LN2G103MSEH](#) [LN2G472MSEG](#) [LN2G682MSEG](#) [LN2W103MSEH](#) [LN2W472MSEG](#) [LN2V223MSEJ](#)
[LN2G153MSEJ](#) [LN2W123MSEJ](#) [LN2V183MSEH](#) [LN2G822MSEJ](#) [LN2V472MSEF](#) [LN2W332MSEF](#)
[LN2V562MSEG](#) [LN2W682MSEH](#) [LN2G392MSEF](#) [LN2G562MSEH](#) [LN2V103MSEJ](#) [LN2V332MSEF](#)
[LN2W153MSEJ](#) [LN2W392MSEG](#) [LN2V682MSEH](#) [LN2V152MSEF](#) [LN2V182MSEF](#) [LN2W102MSEF](#)
[LN2W682MSEG](#) [LN2G122MSEF](#) [LN2W222MSEF](#) [LN2V392MSEG](#) [LN2G332MSEG](#) [LN2V222MSEF](#)
[LN2W472MSEH](#) [LN2W332MSEH](#) [LN2G392MSEH](#) [LN2V682MSEG](#) [LN2W122MSEF](#) [LN2W821MSEF](#)
[LN2W272MSEG](#) [LN2W152MSEG](#) [LN2V472MSEH](#) [LN2W182MSEG](#) [LN2W272MSEF](#) [LN2G222MSEG](#)
[LN2V123MSEJ](#) [LN2G103MSEJ](#) [LN2V472MSEG](#) [LN2V153MSEJ](#) [LN2G332MSEF](#) [LN2G123MSEJ](#)
[LN2V103MSEG](#) [LN2G392MSEG](#) [LN2G222MSEF](#) [LN2G182MSEF](#) [LN2W682MSEJ](#) [LN2W562MSEH](#)
[LN2G102MSEF](#) [LN2G183MSEJ](#) [LN2W822MSEJ](#) [LN2G822MSEH](#) [LN2V562MSEH](#) [LN2G472MSEH](#)
[LN2V123MSEH](#) [LN2W152MSEF](#) [LN2V153MSEH](#) [LN2W182MSEF](#) [LN2G272MSEF](#) [LN2V332MSEG](#)
[LN2W562MSEG](#) [LN2V103MSEH](#) [LN2V822MSEH](#) [LN2V272MSEG](#) [LN2V392MSEF](#) [LN2W103MSEJ](#)
[LN2W332MSEG](#) [LN2W392MSEH](#) [LN2W822MSEH](#) [LN2G272MSEG](#) [LN2G123MSEH](#) [LN2G152MSEF](#)
[LN2G182MSEG](#) [LN2G562MSEG](#) [LN2V183MSEJ](#) [LN2G822MSEG](#) [LN2V272MSEF](#) [LN2W222MSEG](#)
[LN2V822MSEG](#) [LN2V332MSEFBN](#) [LN2V103MSEJBB](#) [LN2G183MSEJBN](#) [LN2V183MSEHBN](#)
[LN2W123MSEJBN](#) [LN2G183MSEJBB](#) [LN2G123MSEHBB](#) [LN2V153MSEJBN](#) [LN2V153MSEJBB](#)
[LN2G102MSEFBB](#) [LN2G102MSEFBN](#) [LN2V152MSEFBB](#) [LN2V152MSEFBN](#) [LN2W821MSEFBB](#)
[LN2W821MSEFBN](#)