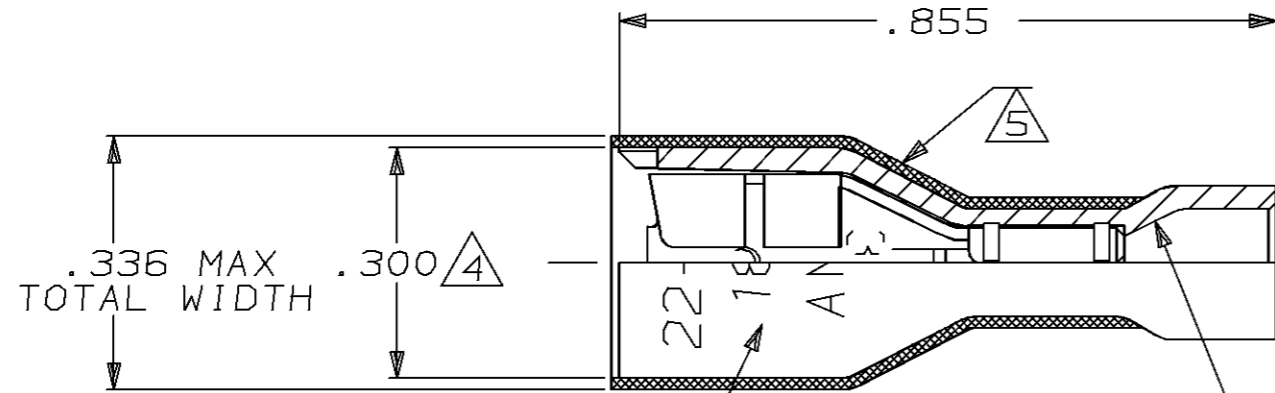
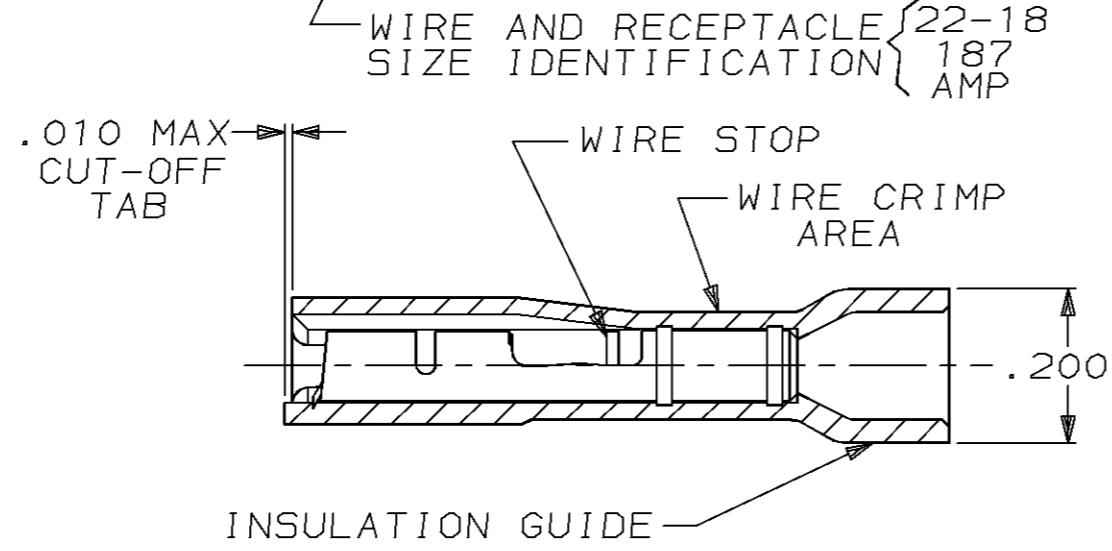
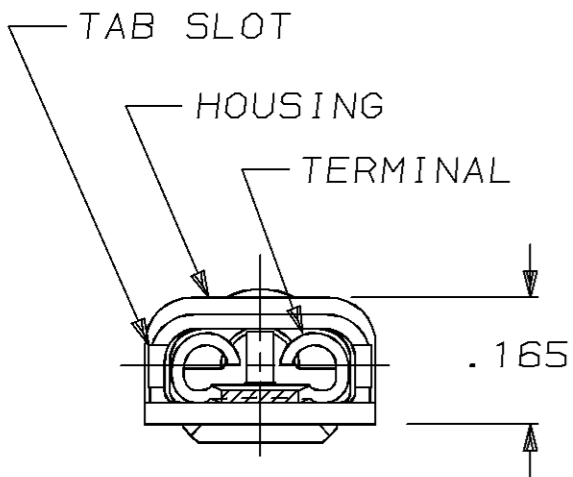


THIS DRAWING IS UNPUBLISHED. RELEASED FOR PUBLICATION, 19  
 © COPYRIGHT 19 BY AMP INCORPORATED. ALL INTERNATIONAL RIGHTS RESERVED.

LOC	DIST	P	F	REVISIONS				
AF	50			ZONE	LTR	DESCRIPTION	DATE	APPD
					L	REV PER 0710-0057-95	2/15/95	JR/JW



- 1 MATES WITH .032±.001x.187 TAB, PER NEMA DC-2
- 2 WIRE STRIP LENGTH .281
- 3 INSULATION SIZE .135 MAX DIA
- △4 DIMENSION DOES NOT INCLUDE TRIM BURR
- △5 .015 MAX CARRIER TRIM BURR PER SIDE IS ALLOWABLE IN THE SHADED AREA



HOUSING: NYLON, COLOR-RED TRANSLUCENT		2-520194-2	
RECEPTACLE: #3 HARD BRASS			
TIN PL .000080 MIN THK			
MATERIAL & FINISH		PART NO	
DO NOT SCALE PRINT. UNLESS SPECIFIED DIMENSIONS IN INCHES TOLERANCES ON: 2 PLC DEC ± - 3 PLC DEC ± .015 ANGLES ± -	DR 10/13/88 P FORTNEY	<b>AMP</b> AMP INCORPORATED Harrisburg, Pa. 17105	
	CHK 10/18/88 JR RUTH		
	APPD 10/18/88 K RANDOLPH	NAME RECEPTACLE ASSY, ULTRA-FAST, LOOSE PIECE, .187 SERIES, 22-18 AWG	
	MATERIAL SEE TABLE	APPD 10/18/88 TL SHUTTER PRODUCT SPEC 108-2043	SIZE <b>B</b>
FINISH SEE TABLE	APPLICATION SPEC 114-2123	DRAWING NO 520194	SCALE 4:1
	WEIGHT -	SHEET 1 OF 1	