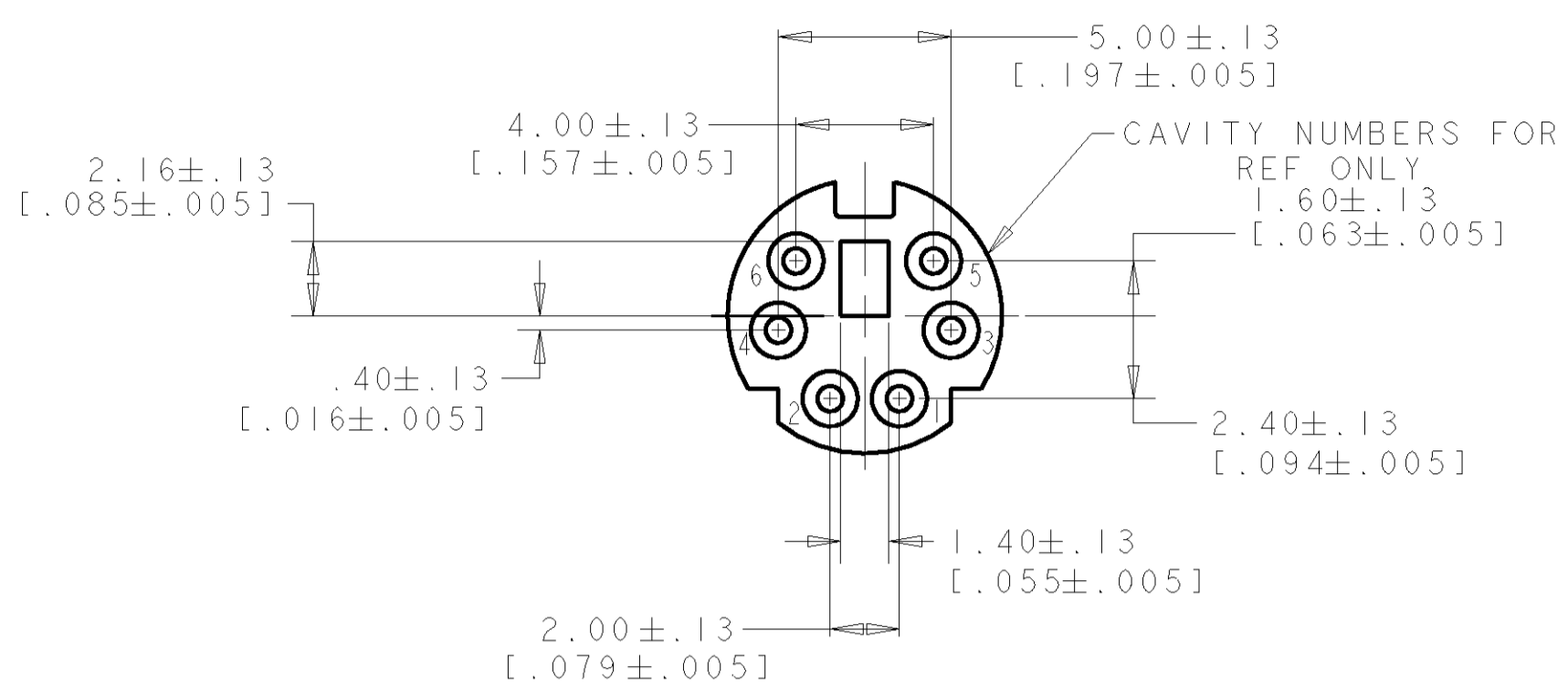
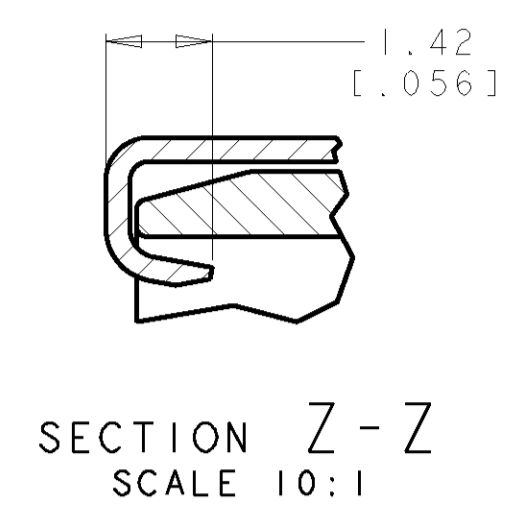
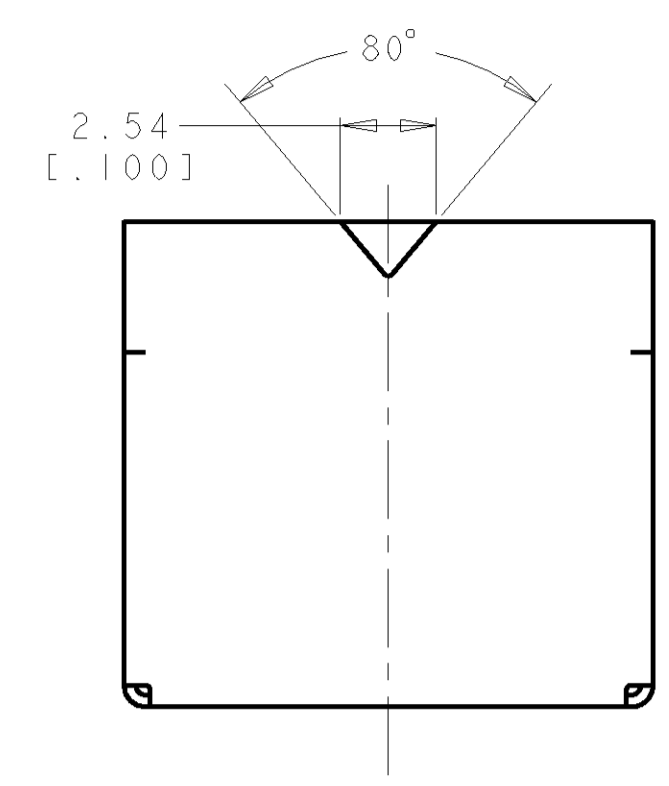
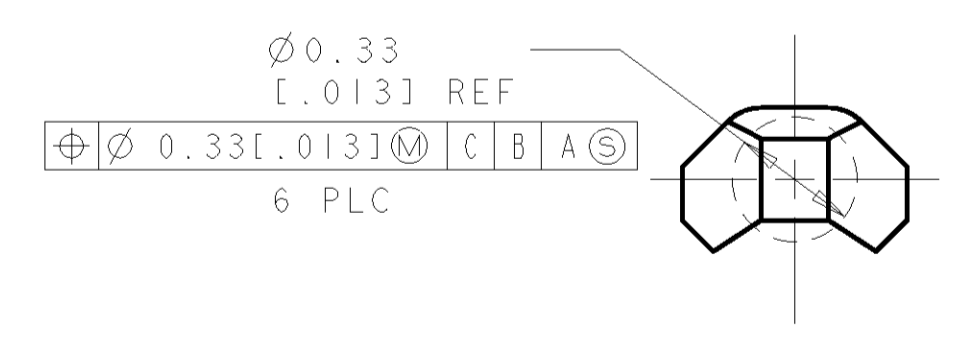
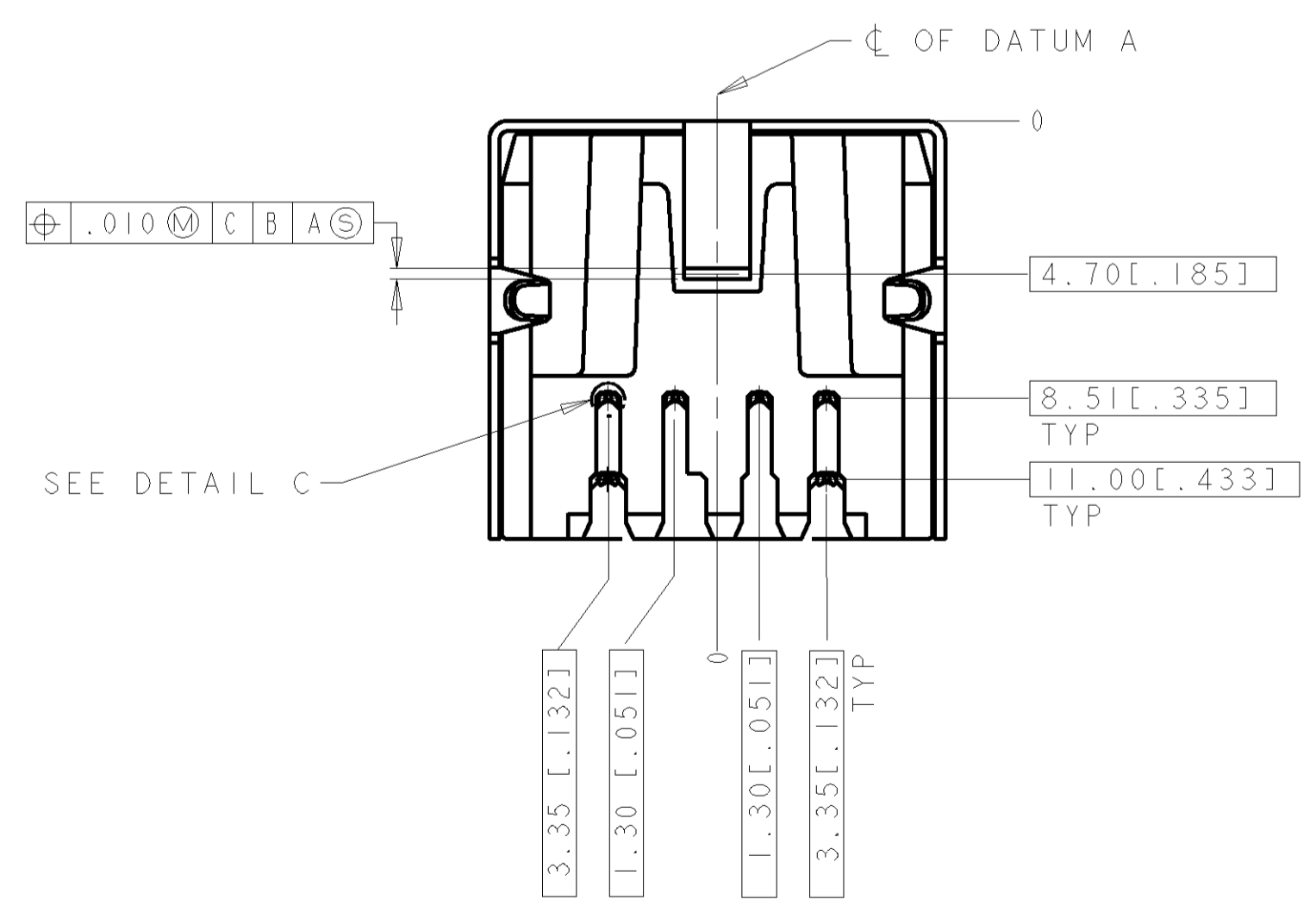
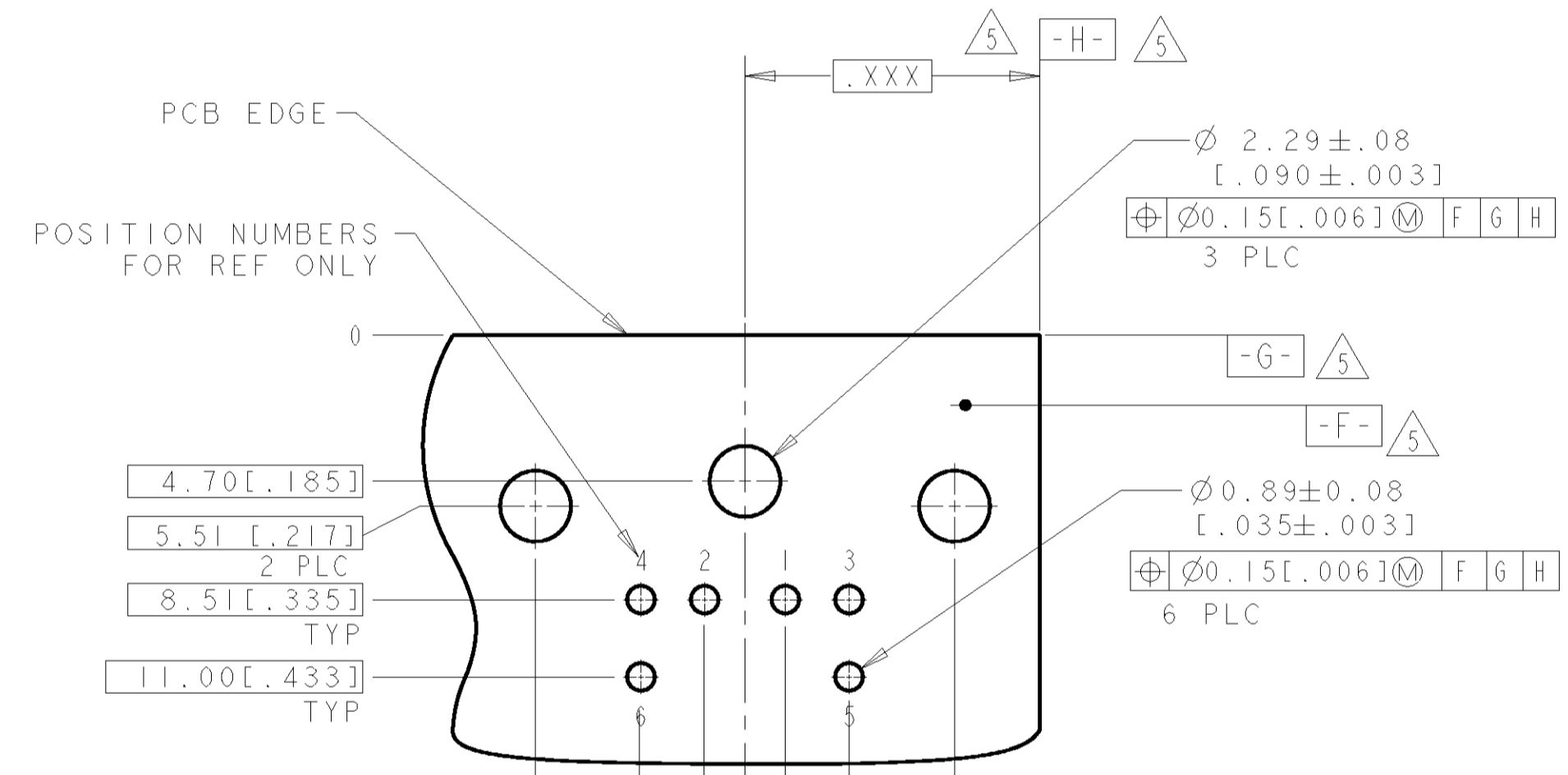
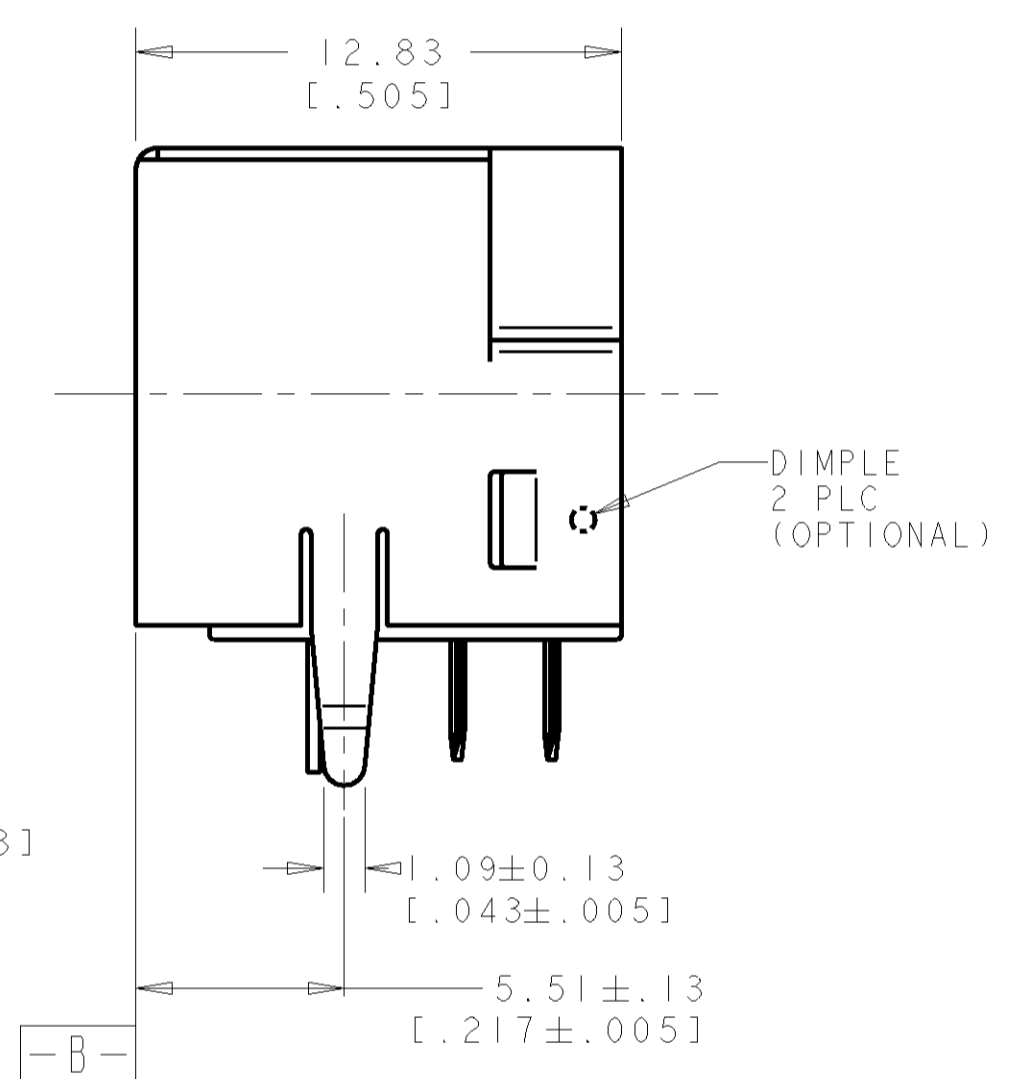
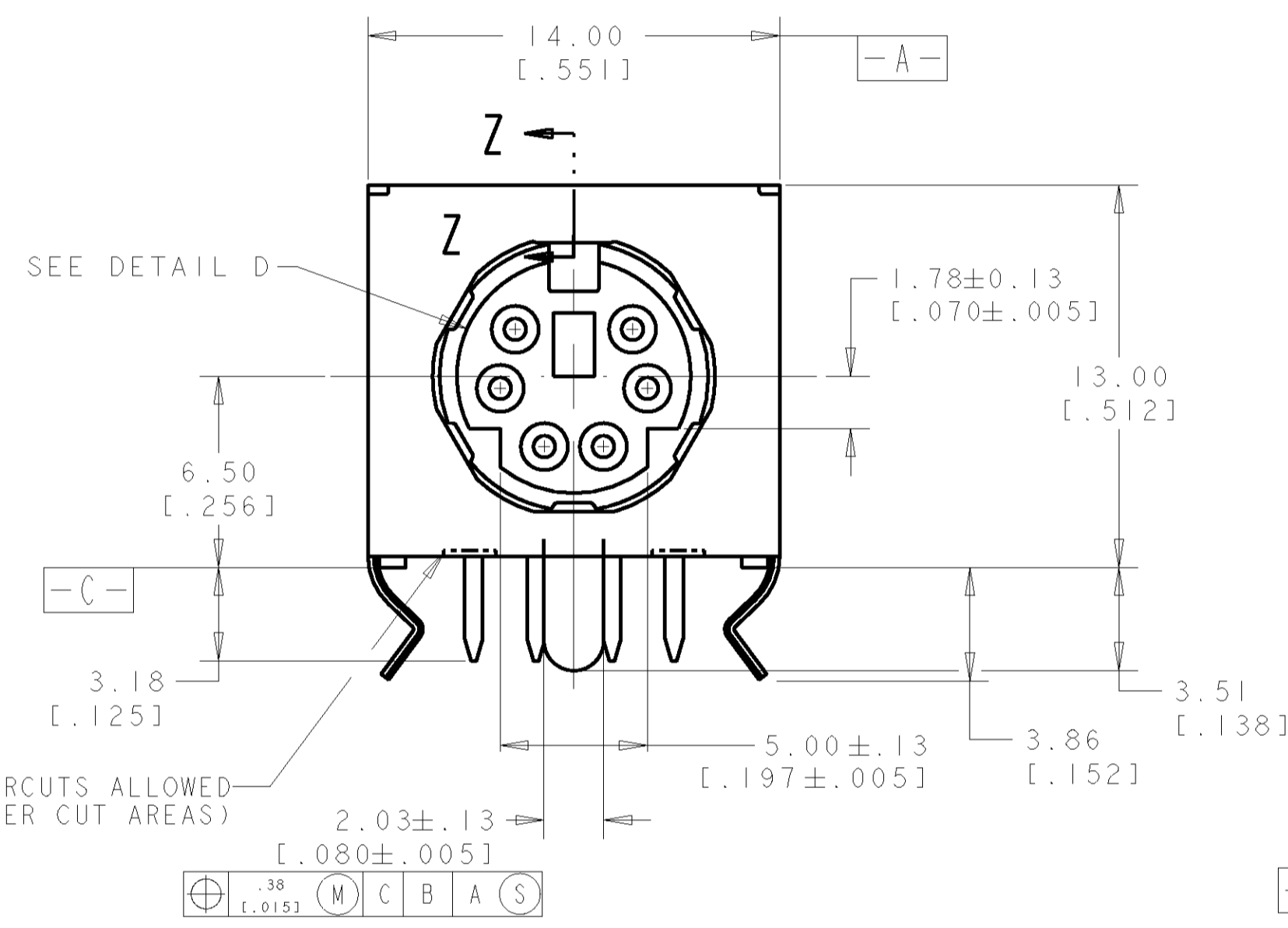


LOC	DIST	REVISIONS			
F	LTR	DESCRIPTION	DATE	DNM	APRD
A		REVISED PER ECR-08-011722	08MAY2008	SYJ	LSF



- △ RECEPTACLE CONTACTS: COPPER ALLOY.
RECEPTACLE SHIELD: COPPER ALLOY.
HOUSING: THERMOPLASTIC, BLACK, UL 94V-0 RATED.
- △ PLATING:
RECEPTACLE CONTACTS - GOLD PLATED .00076 MIN [0.000030 MIN] THICK ON MATING END, MATTE-TIN PLATED .0030 MIN [0.000120 MIN] THICK ON SOLDER TAIL ALL OVER .0013 MIN [0.000050 MIN] THICK NICKEL.
- △ PLATING:
SHIELD: PRE-TIN PLATED
- 4. RECEPTACLE ASSEMBLY MATES WITH 6 PIN 9.00±.10 [0.354±.004] DIAMETER PLUG.
- △ DATUMS AND BASIC DIMENSION SUPPLIED BY CUSTOMER.



ALL POSITIONS LOADED		5749180-1	
PART NO		PART NO	
<small>THIS DRAWING IS A CONTROLLED DOCUMENT FOR AMP INCORPORATED. ALL DIMENSIONS, FINISHES, AND THE CONTROLLING ORGANIZATION SHOULD BE CONTACTED FOR THE LATEST REVISION.</small>		DWN WYLLIE 28DEC2004 CBY SF LEONG APRD SF LEONG	
DIMENSIONS: mm [INCHES] TOLERANCES UNLESS OTHERWISE SPECIFIED: 0 PLC ± 1 PLC ± 2 PLC ± 3 PLC ±0.381 [0.015] 4 PLC ± 5 PLC ± ANGLES 40° 30'		Tyco Electronics Singapore Pte. Ltd. NAME RECEPTACLE ASSY W/ HOLD DOWN, 6 POS RIGHT ANGLE, MINIATURE CIRCULAR DIN PRODUCT SPEC 108-1225 APPLICATION SPEC SIZE A1 CAGE CODE 00779 DRAWING NO 5749180 WEIGHT CUSTOMER DRAWING	
MATERIAL		SCALE 5:1 SHEET 1 OF 1 REV A	