

4

3

2

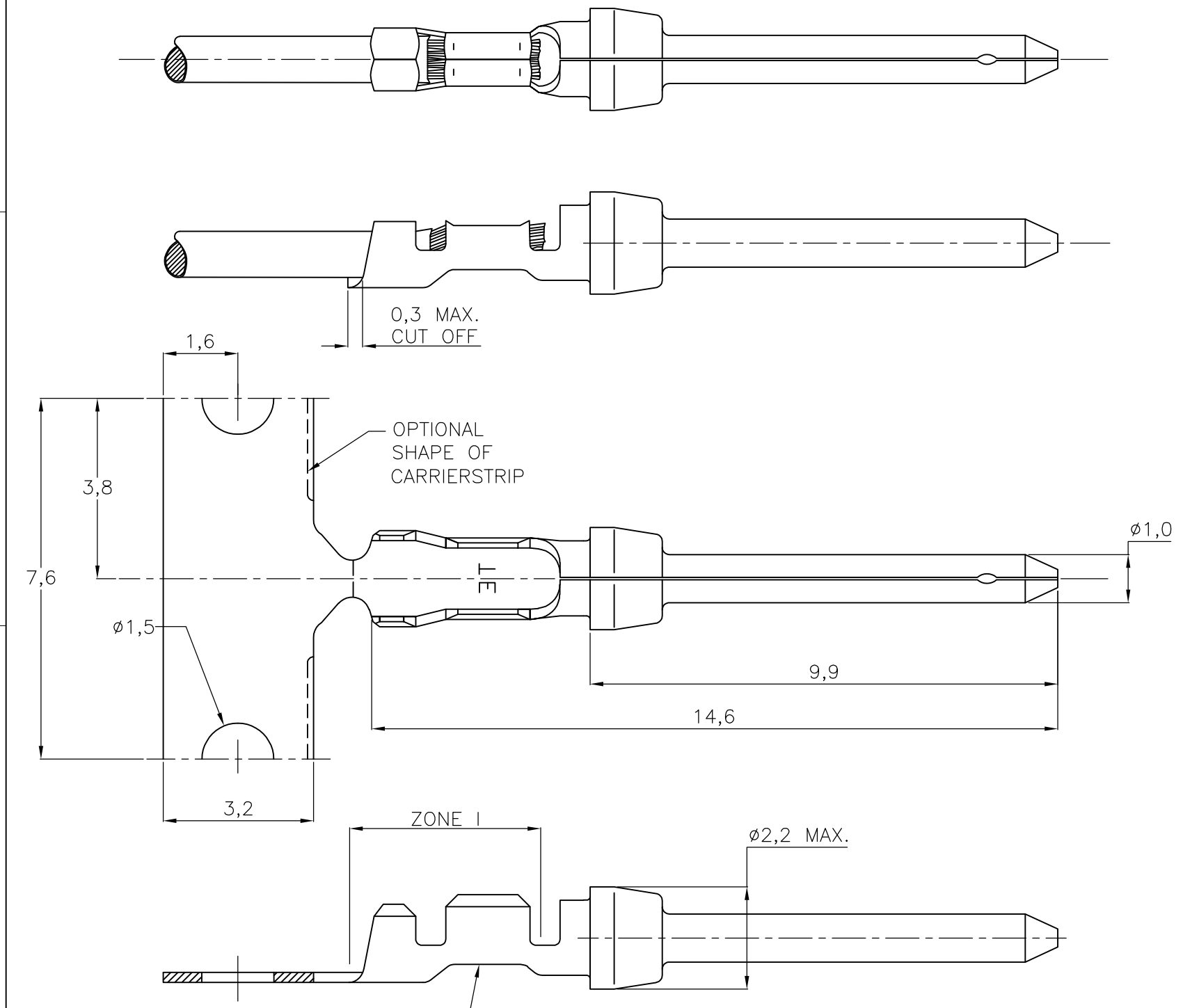
1

THIS DRAWING IS UNPUBLISHED. RELEASED FOR PUBLICATION
 © COPYRIGHT BY TYCO ELECTRONICS CORPORATION. ALL INTERNATIONAL RIGHTS RESERVED.

LOC	DIST	REVISIONS					
		P	LTR	DESCRIPTION	DATE	DWN	APVD
H	-		W	ECR-08-023872	17-10-08	AEG	KMA
			W1	ECR-09-016151	25-08-09	AEG	KMA

NOTES:

- △1 FOR MINI-APPLICATOR-12500 PCS REEL.
- △2 FOR REEL-FEED HAND TOOLING-500 PCS REEL.
- △3 FOR HAND TOOLING- LOOSE PIECE.
- 4. MATERIAL: BRASS.
- △5 FINISH:
 - Ni UNDERPLATING ALL OVER.
 - CONTACT AREA PLATING MEETS IEC-807-3 PERFORMANCE LEVEL 2.
 - CRIMP ZONE Sn PLATED.



WIRE RANGE: 24-28 AWG(0,08-0,22mm²)
 INSUL. RANGE: 0,76 - 1,02 mm DIA.

△5	166294-1	5-166054-1	166054-1
FINISH	LOOSE PIECE △3	PART NUMBER △2	PART NUMBER △1
DWN -		Tyco Electronics Corporation	
CHK K. MALCZYK 09SEP08		's-Hertogenbosch, Nederland	
APVD T. DE BOER 09SEP08		NAME	
PRODUCT SPEC		PIN CONTACT, SIZE 20 DF.	
108-40005			
APPLICATION SPEC			
114-10000		SIZE	CAGE CODE
WEIGHT -		DRAWING NO	
CUSTOMER DRAWING		RESTRICTED TO -	
		A3	00779
		G-166054	
		SCALE	SHEET
		NTS	1 OF 1
		REV	W1

THIS DRAWING IS A CONTROLLED DOCUMENT.

DIMENSIONS:	TOLERANCES UNLESS OTHERWISE SPECIFIED:
mm	
	0 PLC ± -
	1 PLC ± 0,127
	2 PLC ± -
	3 PLC ± -
	4 PLC ± -
	ANGLES ± -
MATERIAL	FINISH
-	-