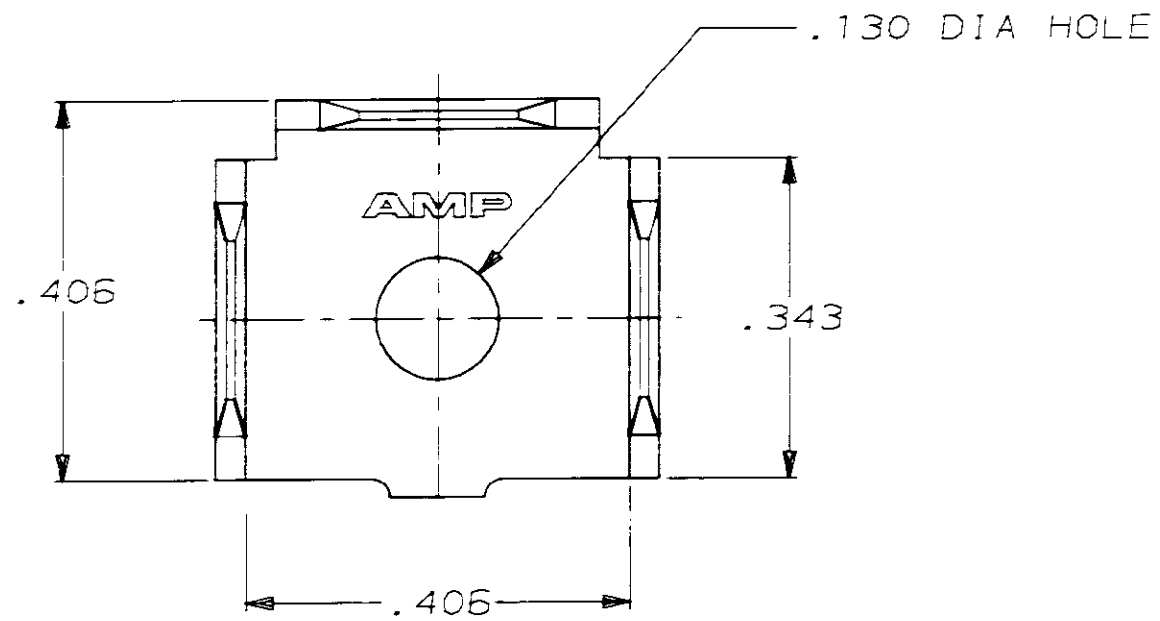
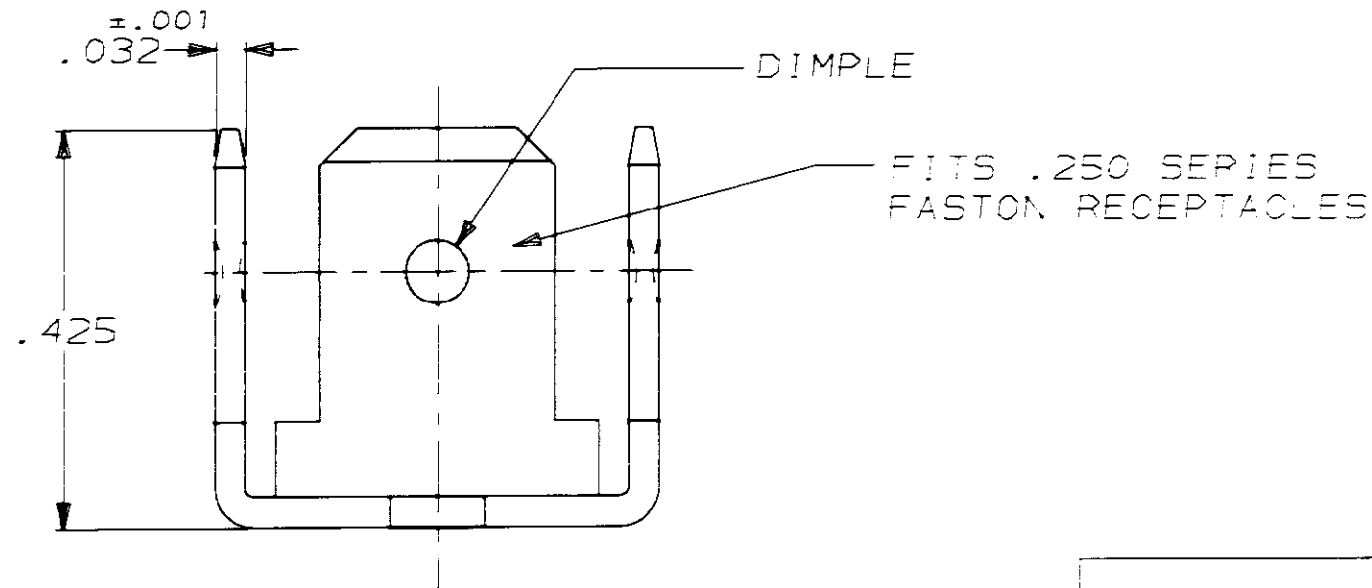


LOC	DIST	P	F	REVISIONS		DATE	APPD
AF	50			ZONE	LTR	DESCRIPTION	
					C	REDRAWN AF-7757	JR
							12/30/91



1 TO BE SUPPLIED IN LOOSE PIECE.



62261-1

PART NO

DO NOT SCALE PRINT.
UNLESS SPECIFIED
DIMENSIONS ARE IN INCHES
TOLERANCES ON:
2 PLC DEC = .015
3 PLC DEC = -
ANGLES = 1°

MATERIAL
082 BRASS

FINISH
-

DR 12/30/91
JR RUTH
CHK 12/30/91
MS FEHER
APPD 12/30/91
C MEYERS
APPD 12/30/91
D REJNER

PRODUCT SPEC
-

APPLICATION SPEC
-

WEIGHT
-

AMP AMP Incorporated
harrisburg, PA 17105-3608

NAME
TAB, FASTON, .250 SERIES

SIZE	CAGE CODE	DRAWING NO
B	00779	62261

SCALE	SHEET
5:1	1 OF 1