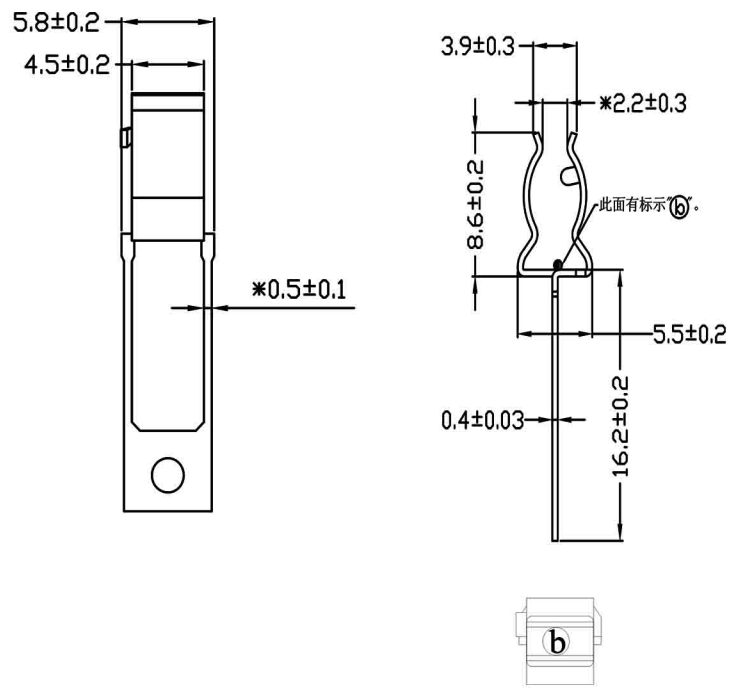
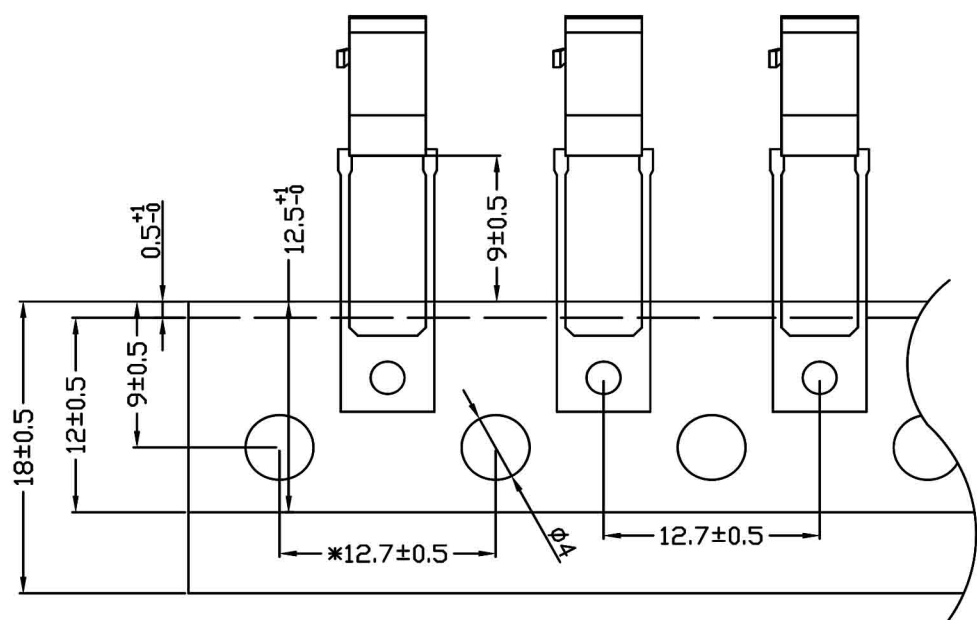


**RoHS
Compliant
Drawing For
Reference Only**



Taping:



- Technical requirement :
1. This product should meet EU RoHS related requirement.
 2. The surface of plastic part should be without any crackle such as burr,lack,and so on phenomenon.
 3. The surface of metal part should be without any defect such as scour,nick,oxidation and plating problem.
 4. The electronic performance should be the same as spec.

Rated voltage 250vac , Max current 10A

DCI DRAGON CITY INDUSTRIES LIMITED

| | | |
|-----------|-----------|-------------|
| Item Name | FUSE CLIP | Tolerance : |
| Item No. | FC-05C-FB | Unit : mm |

| | | | | | |
|----------|-----------|--------|--|-------------|------------|
| Design | K.W Law | Remark | | Scale | |
| Drawing | W.K Yeung | Remark | | Material | |
| Check | K.L Wong | Remark | | Drawing No. | B106041218 |
| Approval | K.W Chan | Remark | | Sheet | |