

---

## CYF115 Datasheet

### 300M-450MHz RF Transmitter

---



#### General Description

The CYF115 is a high performance, easy to use, single chip ASK Transmitter IC for remote wireless applications in the 300 to 450MHz frequency band. This transmitter IC is a true “data-in, antenna-out” monolithic device. CYF115 has three strong attributes: power delivery, operating voltage and operating temperature. In terms of power, the CYF115 is capable of delivering +10 dBm into a 50Ω load. This power level enables a small form factor transmitter (lossy antenna) such as a key fob transmitter to operate near the maximum limit of transmission regulations. In terms of operating voltage, the CYF115 operates from 1.8V to 3.6V. Many transmitter ICs in the same frequency band stop operating below 2.0V. The CYF115 will work with most batteries to the end of their useful limits. In terms of operating temperature, the CYF115 operates from -40°C to +85°C

The CYF115 is easy to use. It requires a reference frequency (RF carrier frequency divided by 32 times) generated from a crystal with a few additional external parts to create a complete versatile transmitter.

The CYF115 operates with ASK/OOK (Amplitude Shift Keying/On-Off Keyed) UHF receiver types from wide-band super-regenerative radios to narrow-band, high performance super-heterodyne receivers. CYF115's maximum ASK data rate is 10kbps (Manchester Encoding)

The CYF115 transmitter solution is ideal for industrial and consumer applications where simplicity and form factor are important.

For enhanced power saving, CYF115 includes power managing function. The power managing function Enables transmitter activated as long as high transient data input trigger signals are received. The transmitter will also be automatically switched off if there are no data input transients for a time exceeding approximately 75ms.

#### Features

- Complete UHF transmitter

- Frequency range 300MHz to 450MHz
- Data rates up to 10kbps ASK
- Output Power to 10dBm
- Low external part count
- Low voltage operation (down to 1.8V)
- Operate with crystals or ceramic resonators
- Power down modes and wake-up functions to reduce power consumption

## Applications

- Fan Controllers
- Remote Power Switches
- Multi-Media Remote Control
- Remote Sensor Data Links
- Infrared Transmitter Replacement

## Typical Application

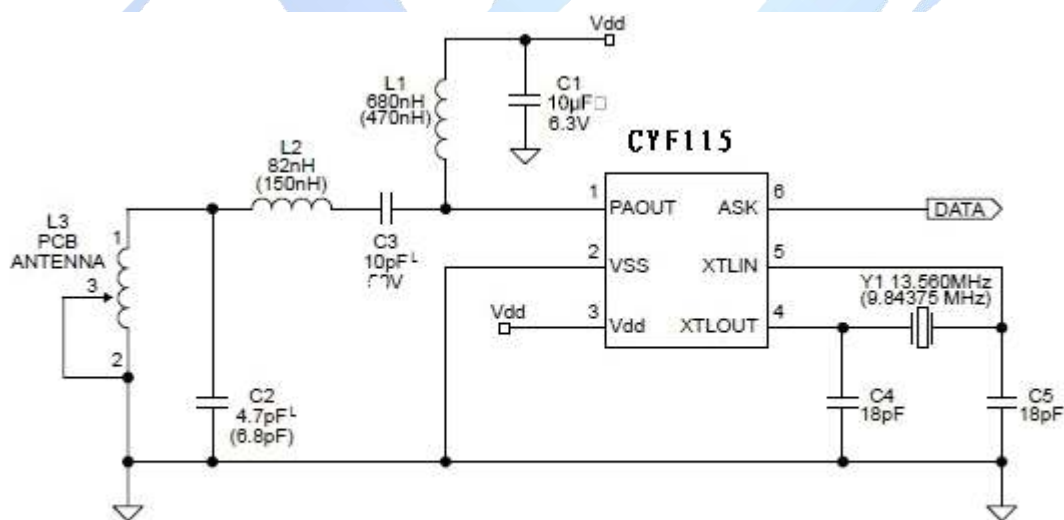
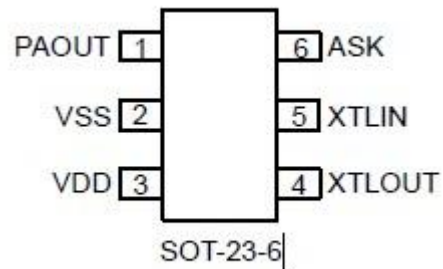


Figure 1: CYF115 ASK Key Fob Design for 315Mhz and 433.92Mhz  
(Note: Values indicated in parentheses are for 315MHz)

## Pin Configuration



## Pin Description

Pin Number SOT23-6	Pin Name	Pin Function
1	PA_OUT	Bandwidth Selection Bit 0 (Digital Input): Used in conjunction with SEL1 to set the desired demodulator filter bandwidth. See Table 1. Internally pulled-up to VDDRF
2	VSS	Ground
3	VDD	Voltage Drain Drain (Input): Positive Power Supply
4	XTLOUT	Crystal Out (Output): Reference oscillator output connection.
5	XTLIN	Crystal In (Input): Reference oscillator input connection.
6	ASK	ASK DATA Input

## Absolute Maximum Ratings

Supply Voltage ( $V_{DD}$ )	+5V
Input/Output Voltage ( $V_{IO}$ )	$V_{SS}-0.3$ to $V_{DD}+0.3$
Voltage on PA_OUT( $V_{PA\_OUT}$ )	+7.2V
Storage Temperature Range ( $T_S$ )	-65°C to +150°C
Lead Temperature (soldering, 10 sec.)	+300°C
ESD Rating	2KV <sup>(3)</sup>

**Operating Ratings**

RF Frequency Range	300MHz to 450MHz
Supply Voltage (VDD)	+1.8V to +3.6V
Ambient Temperature (T <sub>A</sub> )	-40°C to +85°C

**Electrical Characteristics** <sup>(4)</sup>

Specifications apply for VDD = 3.0V, T<sub>A</sub> = 25°C, Freq<sub>REFOSC</sub> = 13.560MHz, EN = VDD. Bold values indicate -40°C to 85°C unless otherwise noted. 1kbps data rate 50% duty cycle. RL 50ohm load (matched)

# CYF115

Parameter	Condition	Min	Typ	Max	Units
<b>Power Supply</b>					
Mark Supply Current ION	@ 315MHz, POUT = +10dBm		12.3		mA
	@ 433.92MHz, POUT = +10dBm		12.5		mA
SPACE supply current, IOFF	@ 315MHz		3		mA
	@ 433.92 MHz		3		mA
<b>Standby Mode</b>					
Standby supply current, ISTB	@ 315MHz			1	uA
	@ 433.92 MHz			1	uA
Standby delay time	ASK transition from HIGH to LOW	30	75	120	ms
	ASK transition from HIGH to LOW	30	75	120	ms
<b>RF Output Section and Modulation Limits:</b>					
Output power level, POUT ASK "mark"	@315MHz <sup>(4)</sup>		10		dBm
	@433.92MHz <sup>(4)</sup>		10		dBm
Harmonics output for 315 MHz	@ 630MHz <sup>(4)</sup> 2nd harm.		-39		dBc
	@945MHz <sup>(4)</sup> 3rd harm.		-53		dBc
Harmonics output for 433.92 MHz	@ 867.84MHz (4) 2nd harm.		-55		dBc
	@1301.76MHz (4) 3rd harm.		-55		dBc
Extinction ratio for ASK			70		dBc
<b>ASK Modulation</b>					
Data Rate				10	kbps
Occupied Bandwidth	@315MHz (6)		<700		kHz
	@433.92MHz (6)		<1000		kHz
<b>VCO Section</b>					
315 MHz Single Side Band Phase Noise	@ 100kHz from Carrier @ 1000kHz from Carrier		-76 -79		dBc/Hz
433.92 MHz Single Side Band Phase Noise	@ 100kHz from Carrier @ 1000kHz from Carrier		-72 -81		dBc/Hz
<b>Reference Oscillator Section</b>					
XTLIN, XTLOUT	Pin capacitance		2		pF
External Capacitance	See Schematic C17 & C18		18		pF
Oscillator Startup Time (5)	Crystal: HC49S		300		us
<b>Digital / Control Section</b>					
Output Blanking	VDD transition from LOW to HIGH		500		us
Digital Input ASK Pin	High (VIH)	0.8xVDD			
	Low (VIL)			0.2xVDD	V
Digital Input Leakage Current ASK Pin	High (VIH)		0.05		
	Low (VIL)		0.05		uA
Under Voltage Lock Out (UVLO)			1.6		

## Notes:

1. Exceeding the absolute maximum rating may damage the device.
2. The device is not guaranteed to function outside its operating rating.
3. Devices are ESD sensitive. Handling precautions recommended. Human body model, 1.5k in series with 100pF.
4. Measured using Test Circuit in Figure
5. Dependent on crystal
6. RBW = 100kHz, OBW measured at -20dBc.

## Test Circuit

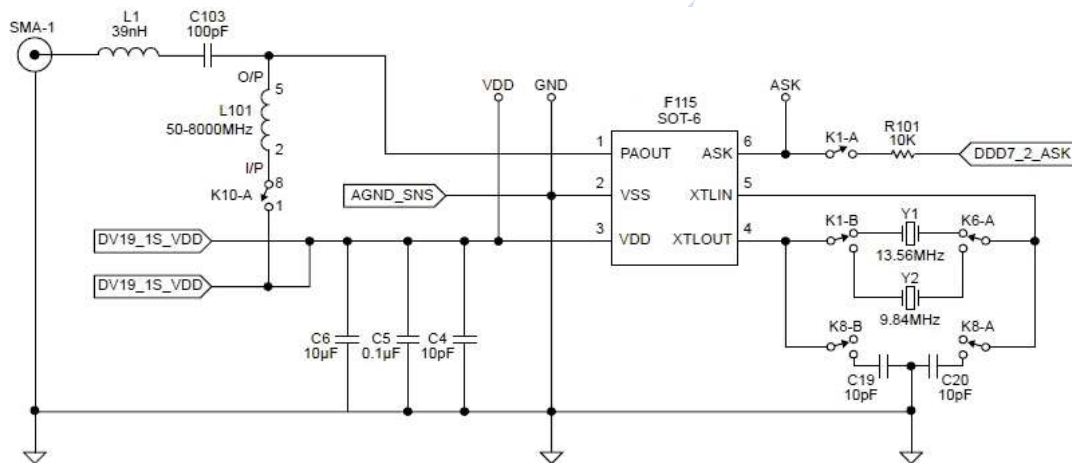
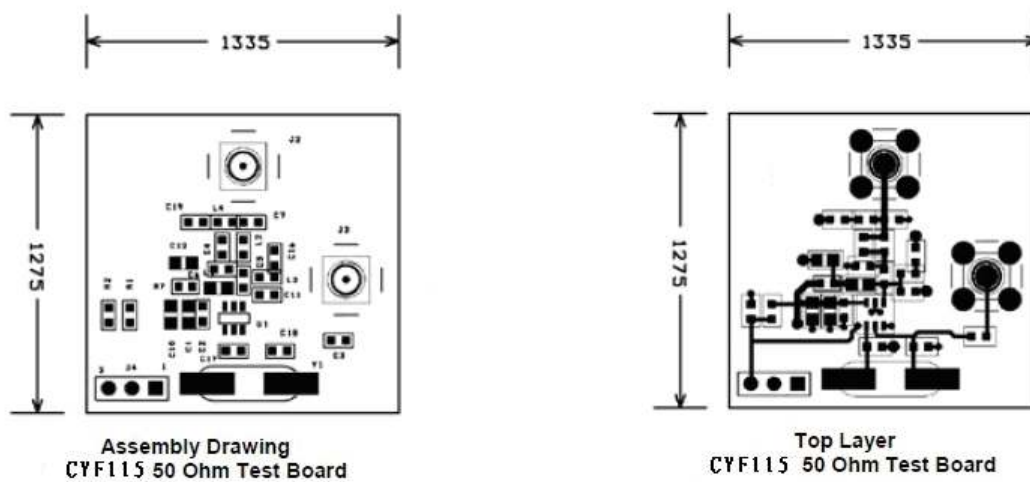


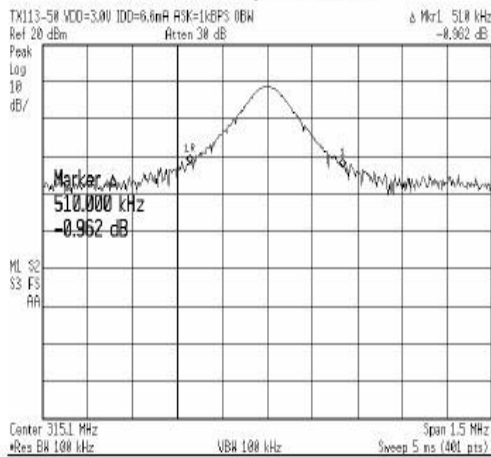
Figure 2. Test Circuit

## CYF115 PCB Layout Recommendations

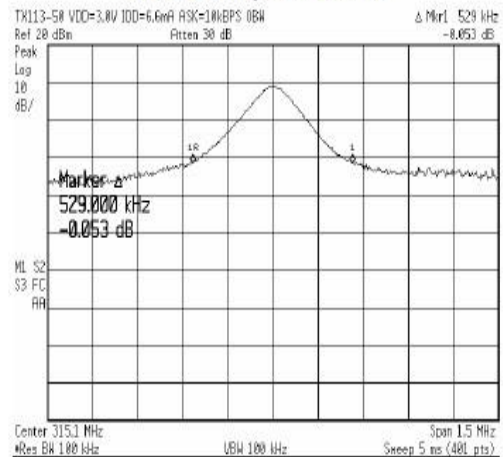


## Typical Characteristics Using CYF115, 50Ω test Board

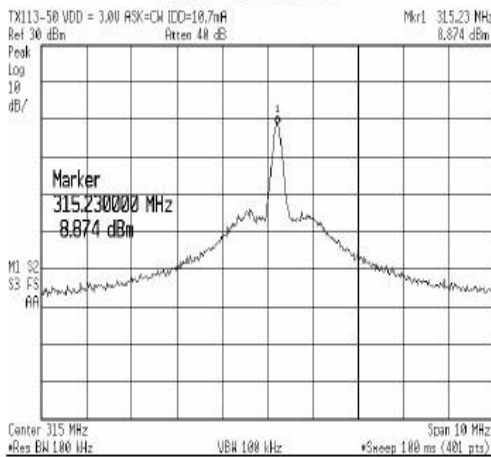
### 315MHz OBW, ASK = 1kHz



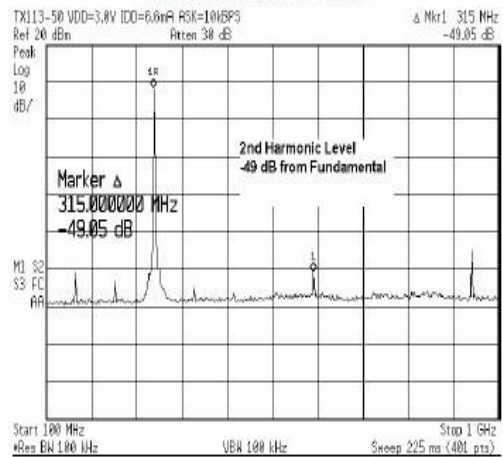
### 315MHz OBW, ASK = 10kHz



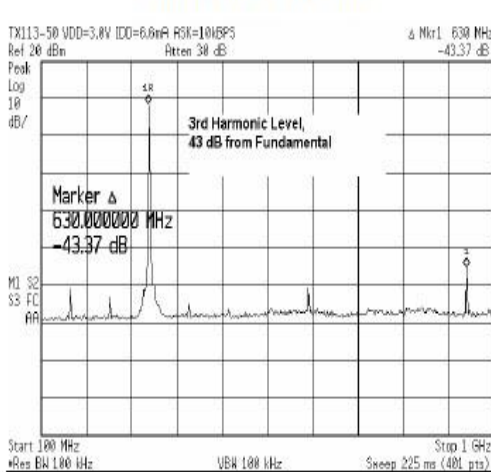
### CW Max Power @ 3V, 315MHz, ASK = 1kHz, Note 1



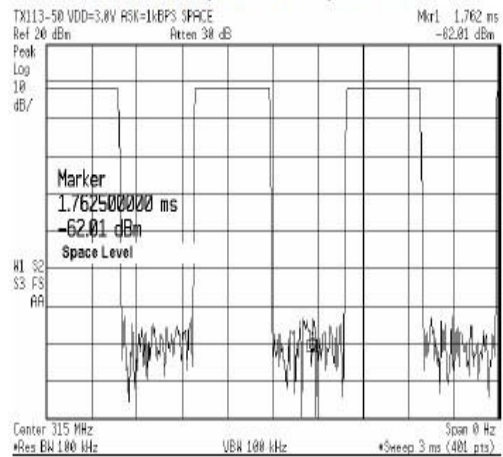
### RF Spectrum 2<sup>nd</sup> Harmonic; Fundamental at 315 MHz



### RF Spectrum 3<sup>rd</sup> Harmonic; Fundamental at 315 MHz

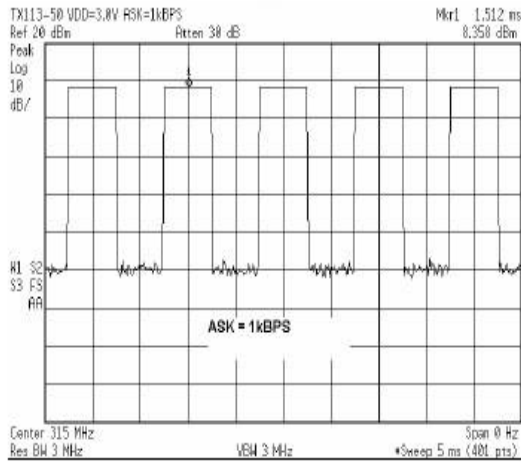


### 315MHz, Power Level at Space, VDD = 3.0V, ASK = 1kHz, -62dBm

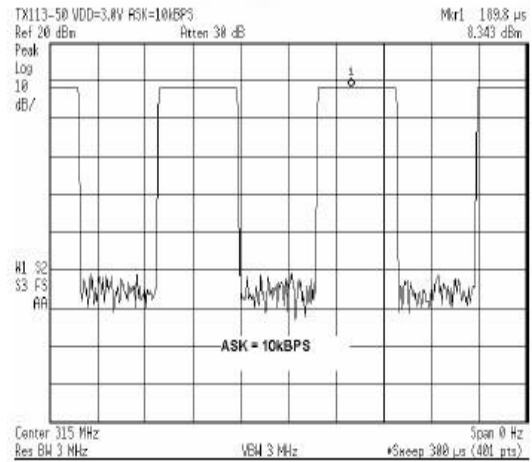


# CYF115

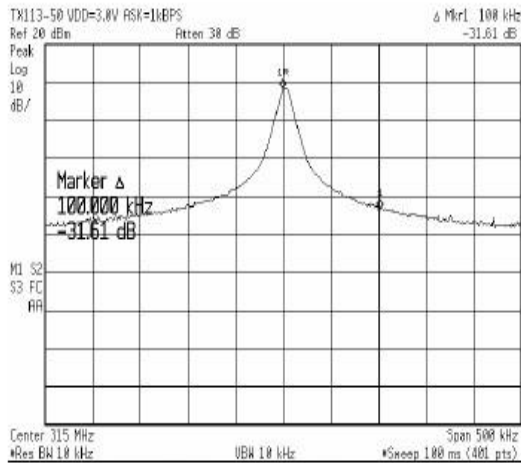
**315MHz, Zero Span , ASK = 1kHz**



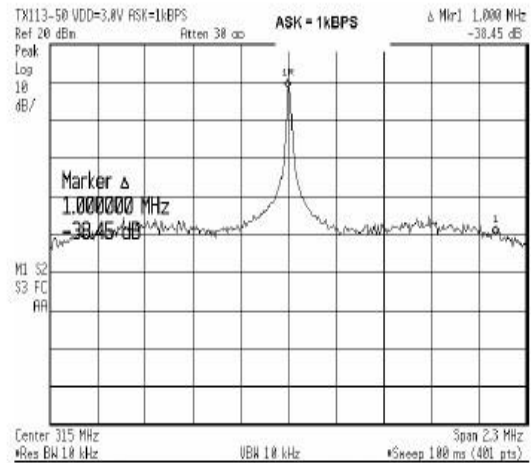
**315MHz, Zero Span, ASK = 10kHz**



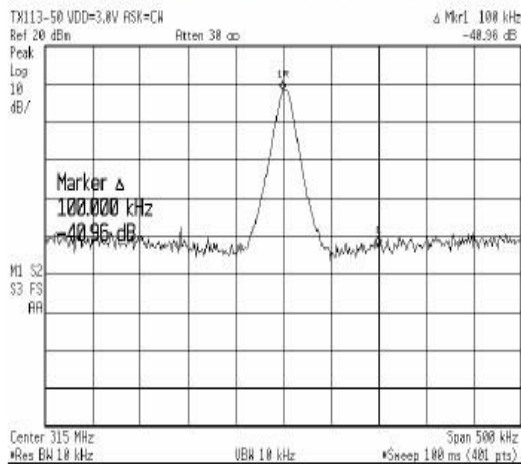
**315MHz, Phase Noise, ASK = 1kHz,  
100kHz Offset, -75.59dBc/Hz**



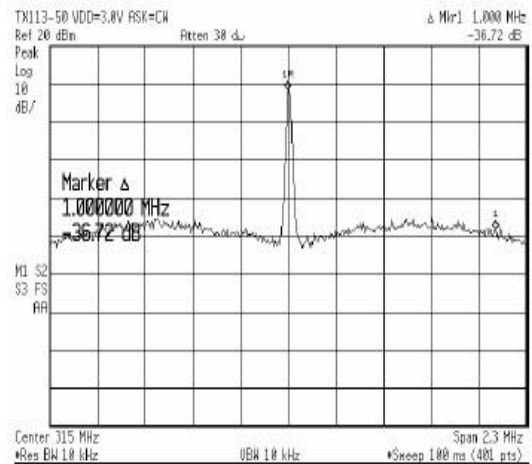
**315MHz, Phase Noise, ASK = 1kHz,  
1MHz Offset, -78.99dBc/Hz**



**315MHz, Phase Noise, ASK = CW,  
100kHz Offset, -70.96dBc/Hz**



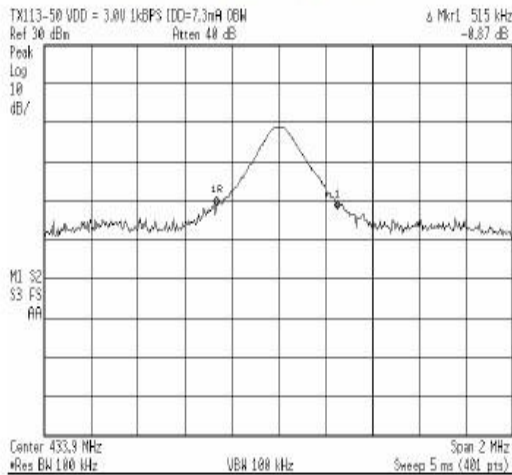
**315MHz, Phase Noise, ASK = CW,  
1MHz Offset, -76.72dBc/Hz**



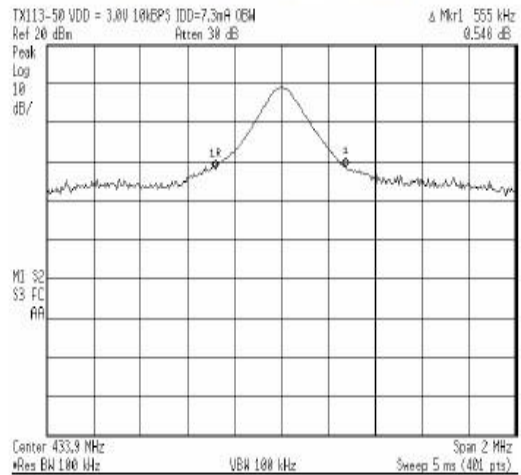


# CYF115

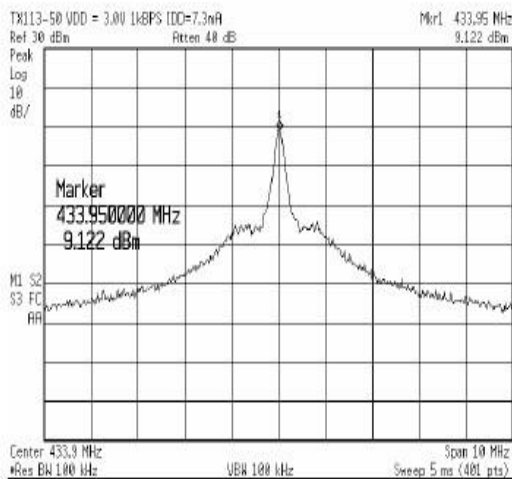
**433.92MHz OBW, ASK = 1kHz**



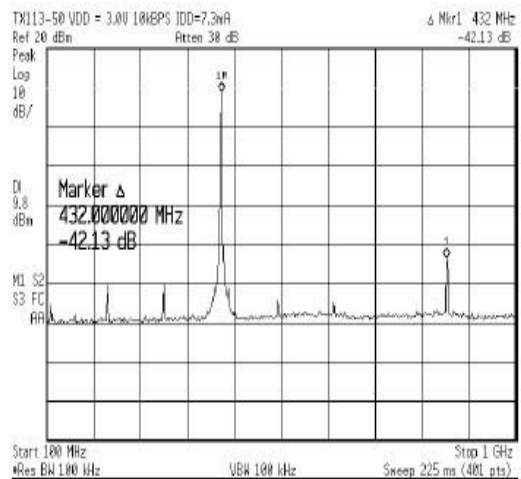
**433.92MHz OBW, ASK = 10kHz**



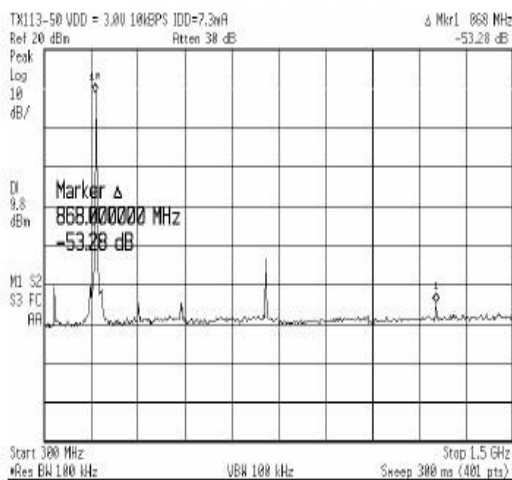
**433.92MHz, CW Max Power @ 3V,  
ASK = 1kHz, Note 1**



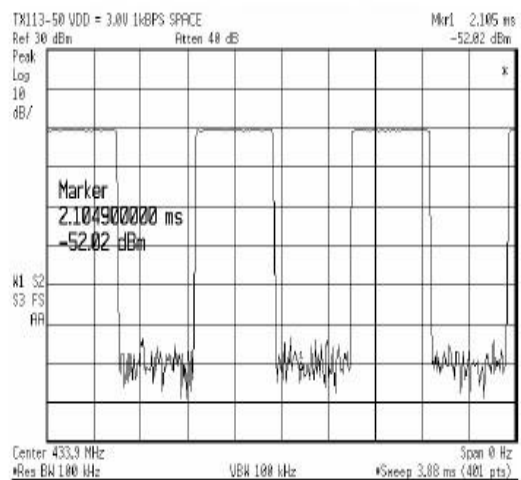
**RF Spectrum 2<sup>nd</sup> Harmonic;  
Fundamental at 433.92 MHz**



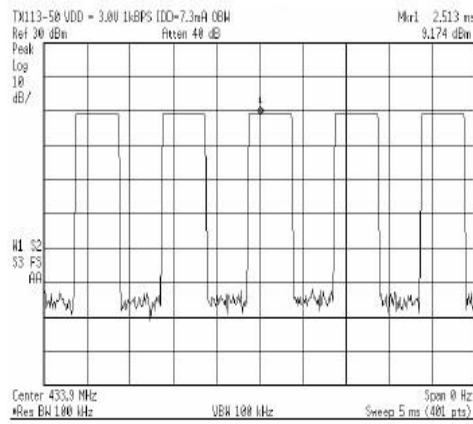
**RF Spectrum 3<sup>rd</sup> Harmonic;  
Fundamental at 433.92 MHz**



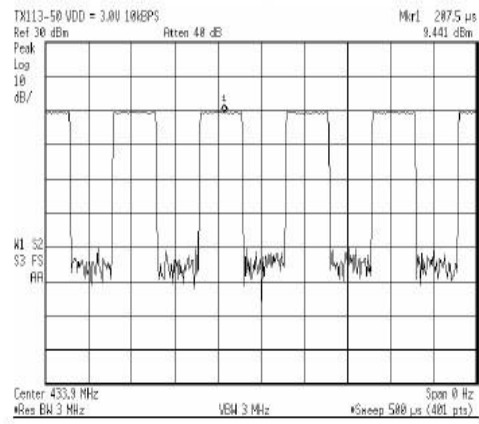
**433.92MHz Power Level at Space,  
VDD = 3.0V, ASK = 1kHz, -52dBm**



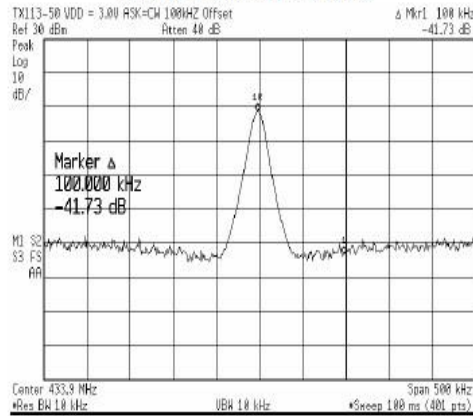
**433.92MHz Zero Span, 1KHz**



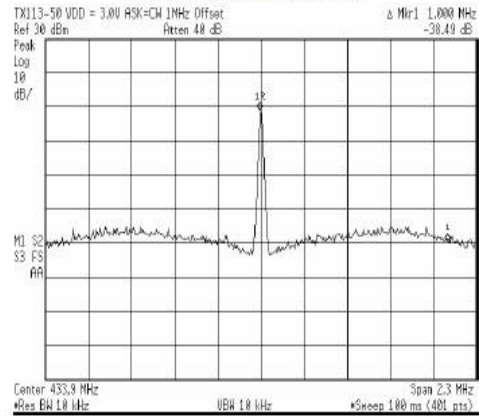
**433.92ASK Zero Span at 10kHz**



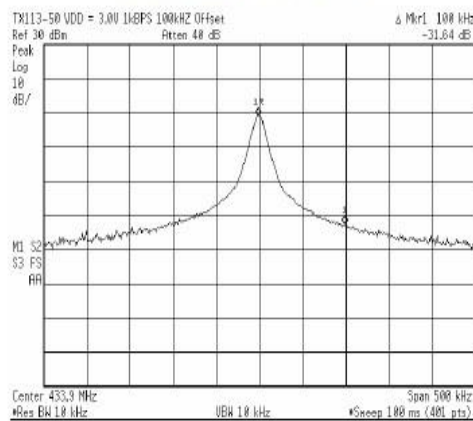
**433.92MHz Phase Noise, ASK = CW,  
100kHz Offset, -81.73dBc/Hz**



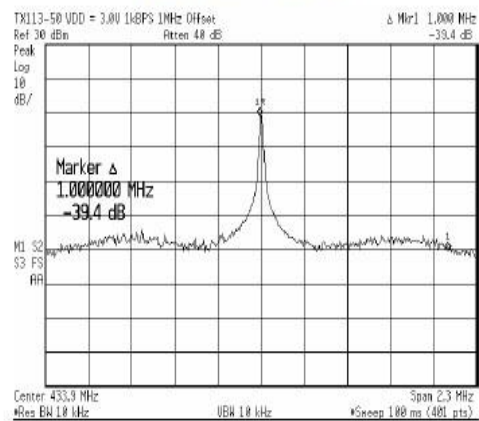
**433.92MHz Phase Noise, ASK = CW,  
1MHz Offset, -78.49dBc/Hz**



**433.92MHz Phase Noise, ASK = 1kHz,  
100kHz Offset, -71.64dBc/Hz**



**433.92MHz Phase Noise, ASK = 1kHz,  
1MHz Offset, -79.4dBc/Hz**



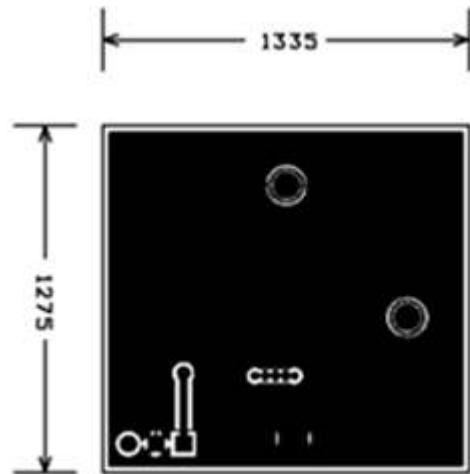
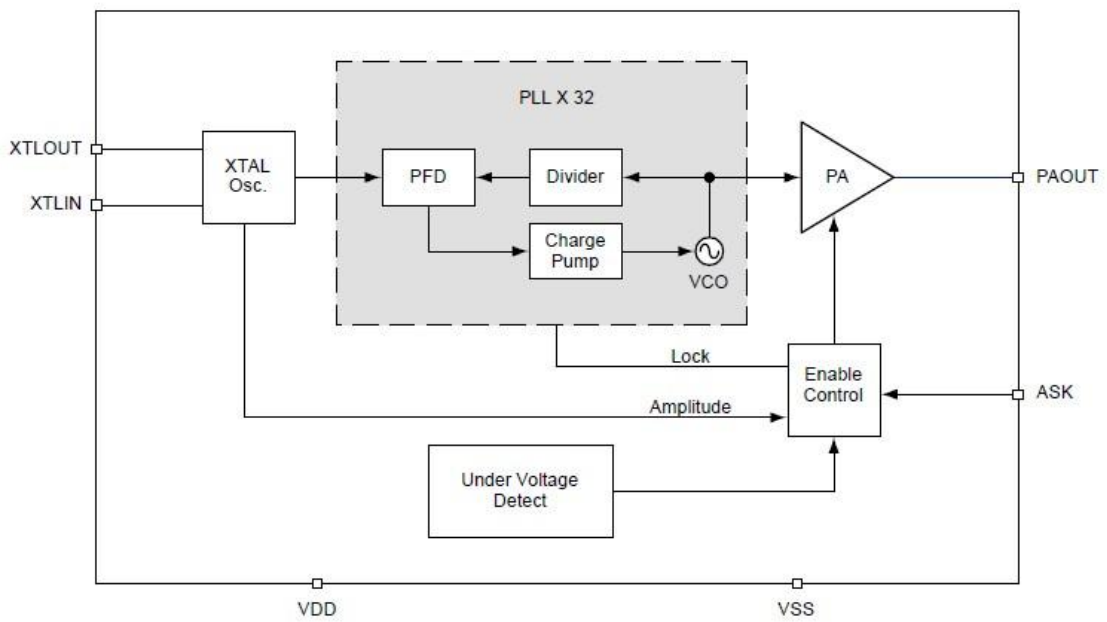


Figure 5 Bottom Layer  
SYN115 50Ohm Test Board

**Functional Diagram**



**Figure 3. Functional Block Diagram CYF115**

## Functional Description

Figure 3 is a functional block diagram of the CYF115 transmitter. The CYF115 is best described as a phase locked transmitter. The CYF115 system is partitioned into five functional blocks:

- Crystal oscillator
- PLL×32
- Power amplifier
- Enable control
- Under voltage detection

## Crystal Oscillator

The reference oscillator is crystal-based Pierce configuration, designed to accept crystals with frequency from 9.375MHz to 14.0625MHz.

## Crystal Oscillator Parameters for ASK Operation

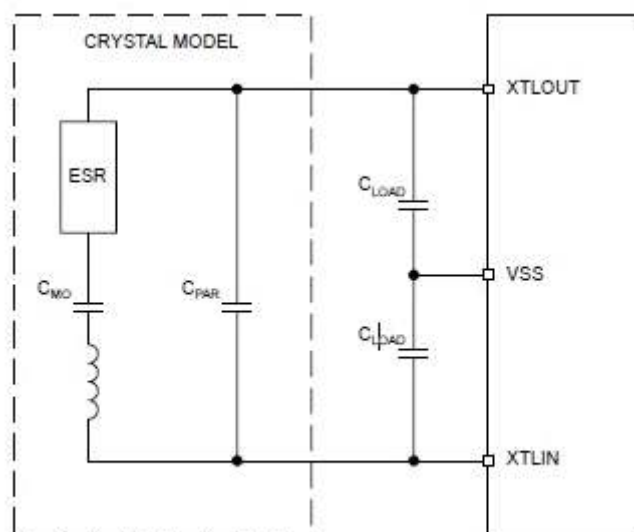
Figure 4 shows a reference oscillator circuit configuration for ASK operation. The reference oscillator is capable of driving crystals with ESR range from 20Ω to 300Ω.

When the ESR of crystal is at 20Ω, the crystal parameter limits are:

ESR 20Ω

C<sub>PAR</sub> 2 to 10pF

C<sub>MO</sub> 10 to 40fF.



**Figure 4. Reference Oscillator ASK Operation**

When the ESR of crystal is at  $300\Omega$ , the crystal parameter limits are:

ESR  $300\Omega$

$C_{PAR}$  2 to 5pF

$C_{MO}$  10 to 40fF

$C_{LOAD}$  10 to 30pF

### **PLL ×32**

The function of PLL×32 is to provide a stable carrier frequency for transmission. It is a “divide by 32” phase locked loop oscillator.

### **Power Amplifier**

The power amplifier serves two purposes: 1) to buffer the VCO from external elements and 2) to amplify the phase locked signal. The power amplifier can produce +10dBm at 3V (typical).

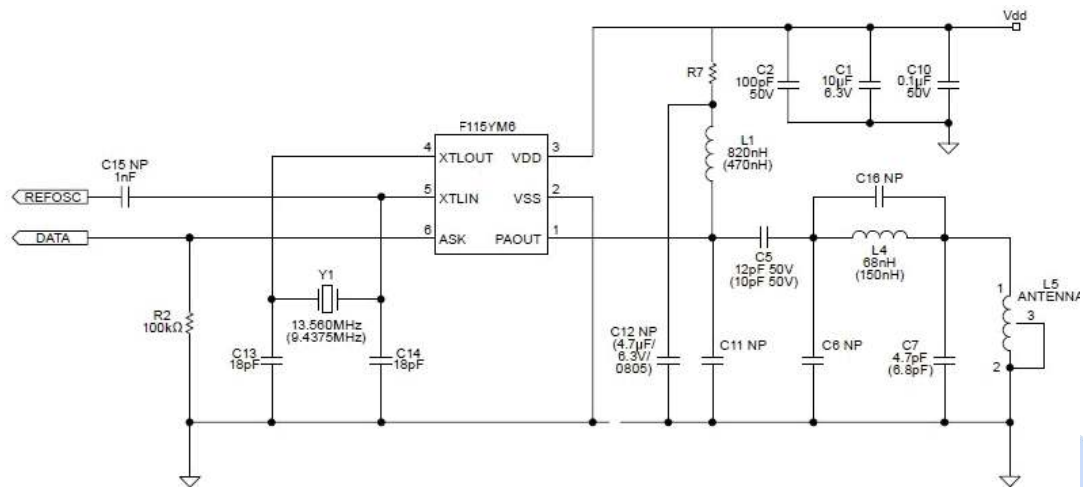
### **Enable Control**

Enable control gates the ASK data. It only allows transmission when Lock, Amplitude and Under Voltage Detect conditions are valid.

### **Under Voltage Detect**

“Under voltage detect” block senses operating voltage. If the operating voltage falls below 1.6V, “under voltage detect” block will send a signal to “enable control” block to disable the PA.

## Application Information



**Figure 6. ASK 433.92MHz and (315MHz)**

Notes:

1. Components labeled NP are not placed.
2. Values without parentheses are for 433.92 MHz and values in parentheses are for 315MHz.
3. Value of R7 is selected to vary the output power.

The CYF115 is well suited to drive a 50-ohm source, monopole or a loop antenna. Figure 6 is an example of a loop antenna configuration. Figure 6 also shows both 315MHz and 433.92MHz ASK configurations for a loop antenna. Besides using a different crystal, Table 1 lists modified values needed for the listed frequencies

Frequency (MHz)	L1 (nH)	C5 (pF)	L4 (nH)	C7 (pF)	Y1 (MHz)
315.0	470	10	150	6.8	9.84375
433.92	820	12	68	4.7	13.5600

**Table 1**

The reference design shown in Figure 6 has an antenna optimized for using the matching network as described in Table 1.

### Power Amplitude Control Using External Resistor

R7 is used to adjust the RF amplitude output levels which may be needed to meet compliance regulation. As an example, the following tables list typical values of conducted RF output levels and corresponding R7 resistor values for the 50-ohm test board, as shown in Figure 2. R7 of the CYF115 Demo board Schematic using the loop

## CYF115

antenna can be adjusted for the appropriate radiated field allowed by FCC or ETSI compliance. Contact for suggested R7 values to meet FCC and ETSI compliances.

R7, $\Omega$	Output Power, dBm	IDD, mA
0	10	6.7
75	8.5	6.3
100	8.0	6.2
500	1.6	4.13
1000	-3.8	4.87

**Output Power Versus External Resistor at 315MHz**

R7, $\Omega$	Output Power, dBm	IDD, mA
0	8.68	7.5
75	8.34	7.33
100	8.02	7.3
500	4.34	6.3
1000	0.42	5.5

**Output Power Versus External Resistor at 433.92 MHz**

### **Output Power ON-OFF Control**

There are two ways to enable the PA output power. First, by supplying the ASK signal with VDD applied continuously, resulting in a Mark and Space RF output condition. A second method involves applying both VDD and ASK synchronously. The second method allows for longer battery usage since the battery is disconnected during non-activation. Figure 7 shows the RF output time response since VDD and the ASK are applied to the CYF115. The RF output response, as a function of VDD, is typically less than 1.25mSec. This measurement was done using the circuitry shown in Figure 2.

### **RF Output Response as a Function of VDD and ASK**

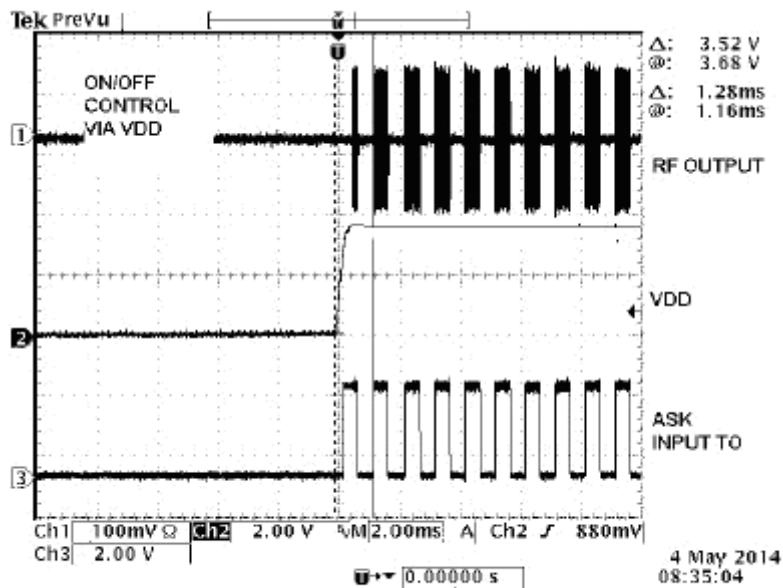


Figure 7. RF Output Response (VDD and ASK)

### Output Matching Network

Part of the function of the output network is to attenuate the second and third harmonics. When matching to a transmit frequency, care must be taken both to optimize for maximum output power, and to attenuate unwanted harmonics.

### Layout Issues

PCB Layout is a primary concern for achieving optimum performance and consistent manufacturing results. Care must be used with the orientation of components to ensure that they do not couple or decouple the RF signal. PCB trace length should be short to minimize parasitic inductance (1 inch ~ 20nH). For example, depending upon inductance values, a 0.5 inch trace can change the inductance by as much as 10%. To reduce parasitic inductance, the practice of using wide traces and a ground plane under the signal traces is recommended. Vias with low value inductance should be used for components requiring a connection-to-ground

### Antenna Layout

Directivity is affected by antenna trace layout. No ground plane should be under the antenna trace. For consistent performance, components should not be placed inside the loop of the antenna



PCB Board

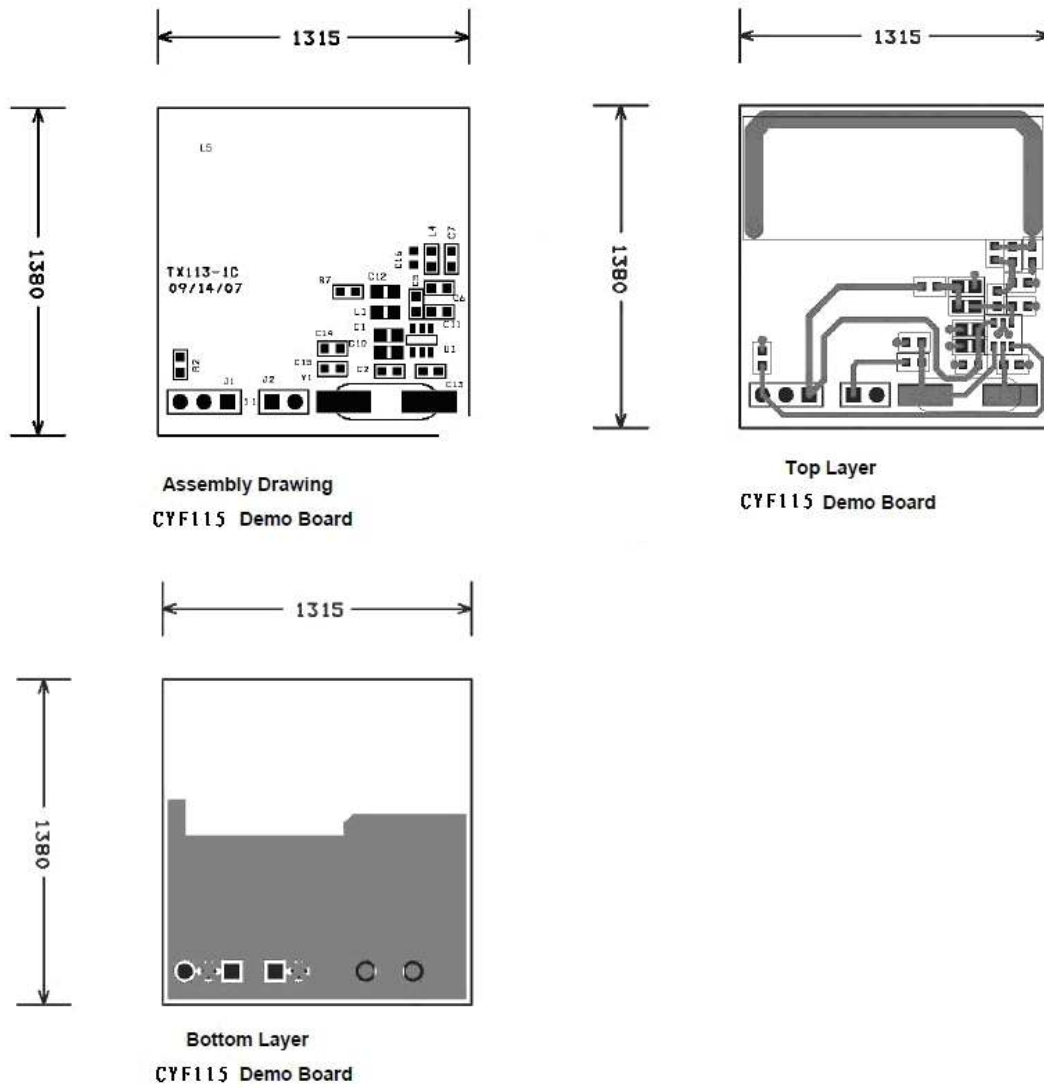
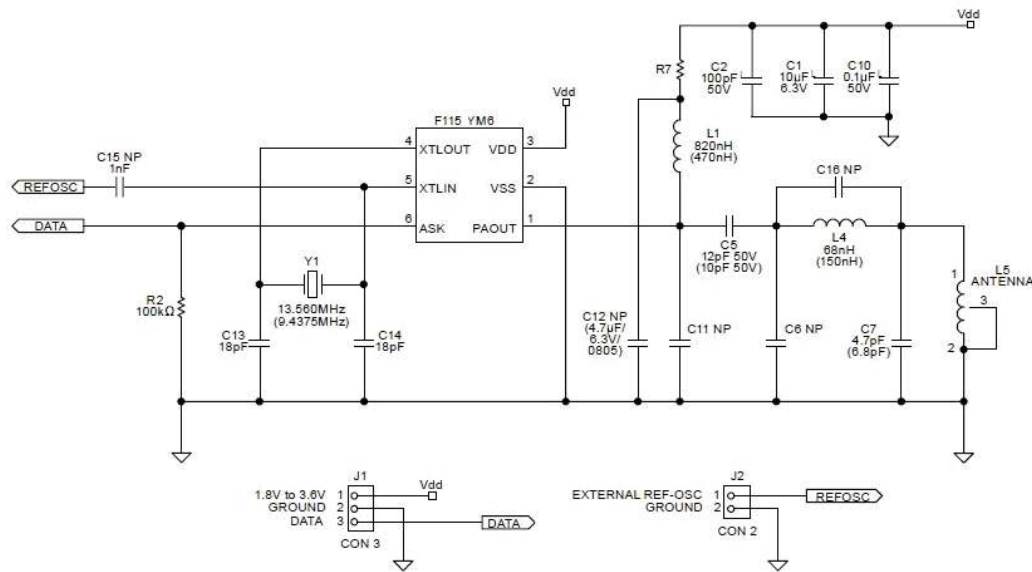


Figure 8. Demo Board PCB



**Figure 9 A Detailed Schematic**

**Notes:**

1. Components labeled NP are not placed.
2. Values without parentheses are for 433.92 MHz and values in parentheses are for 315MHz.
3. Value of R7 is selected to vary the output power.

**Functional Description of CYF115-1 Evaluation Board.**

Figure 8 shows the CYF115 Demo Board PCB layout and assembly (Gerber format). Figure 9 is a detailed schematic of the CYF115. Note that components labeled as NP (not placed) can be used to obtain different configurations. Table 2 describes each header pin connector used in the demo board

Pin	Function Name	Functional Description
J1-1	VDD	1.8V to 3.6V input voltage
J1-2	VSS	Ground
J1-3	ASK	Modulating Data Input
J2-1	REF-OSC	External Reference Oscillator Input
J2-2	VSS	Ground

**Table 2**

## CYF115-1-433.92 ASK Bill of Materials

Item	Quantity	Ref	Part	PCB Footprint	Mfg P/N	Manufacturer
1	1	C1	10 $\mu$ F	0805	GRM21BR60J106KE01L	muRata
2	1	C2	100pF	0603	GRM1885C1H101JA01D	muRata
3	1	C5	12pF	0603	GRM1885C1H100JA01D	muRata
4						
5	3	C6,C11,C16	(NP)			
6	1	C7	4.7pF	0603	GRM1885C1H4R7JA01D	muRata
7						
8	2	C13,C14	18pF	0603	GRM1885C1H180JA01D	muRata
9	1	J1	CON3		TSHR-114-S-02-A-GT	
10	1	L1	820nH	0805	0805CS-680XJB	Coilcraft
11	1	L4	68nH	0603	0603CS-082NXJB	Coilcraft
12	1	L5	ANTENNA		ANTENNA LOOP, Part of PCB	
13	1	R2	100k $\Omega$	0603	CRCW0603100KFKEA	Vishay
14	1	R7	0 $\Omega$	0603	CRC06030000Z0EA	Vishay
15	1	U1	F115YMM6	CY	F115YMM6	CY
16	1	Y1	13.560MHZ	CY	SA-13.5600-F-10-C-3-3	CY

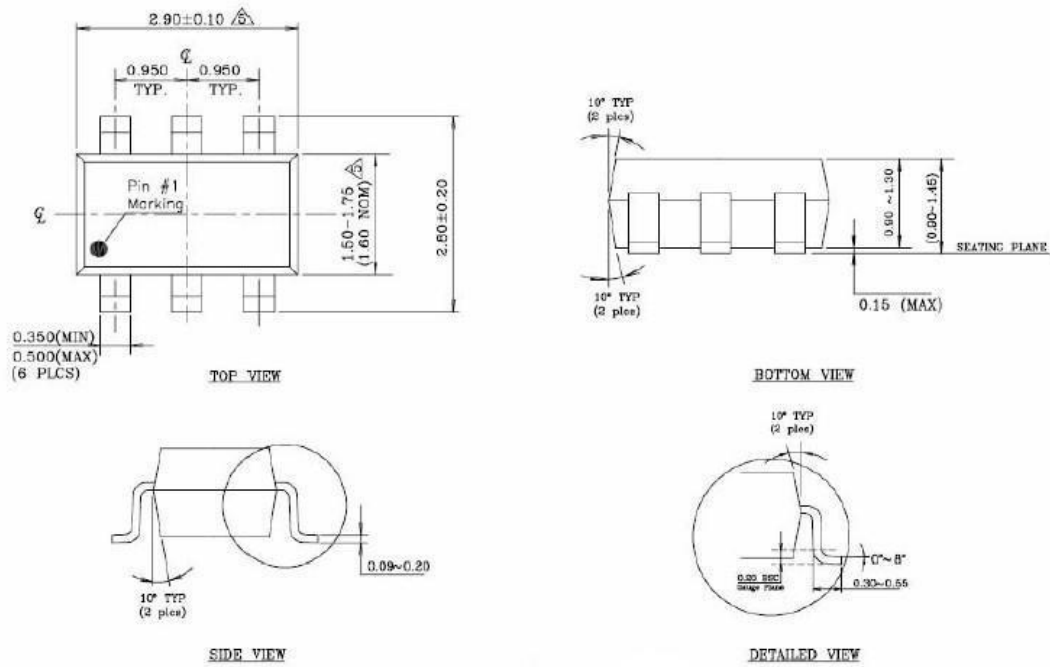
Table 3

## CYF115-1-315MHz ASK Bill of Materials

Item	Quantity	Ref	Part	PCB Footprint	Mfg P/N	Manufacturer
1	1	C1	10 $\mu$ F	0805	GRM21BR60J106KE01L	muRata
2	1	C2	100pF	0603	GRM1885C1H101JA01D	muRata
3	1	C5	10pF	0603	GRM1885C1H1000JA01D	muRata
4						
5	3	C6,C11,C16	(np)			
6	1	C7	6.8pF	0603	GRM1885C1H6R8JA01D	muRata
7	1	C10	0.1 $\mu$ F	0603	GRM188F51H104ZA01D	muRata
8	2	C13,C14	18pF	0603	GRM1885C1H180JA01D	muRata
9	1	J1,J2	CON3		TSHR-114-S-02-A-GT	
10	1	L1	470nH	0805	0805CS-470XJB	Coilcraft
11	1	L4	150nH	0603	0603CS-R15XJB	Coilcraft
12	1	L5	ANTENNA		ANTENNA LOOP, Part of PCB	
13	1	R2	100k $\Omega$	0603	CRCW0603100KFKEA	Vishay
14	1	R7	0 $\Omega$	0603	CRC06030000Z0EA	Vishay
15	1	U1	F115YMM6	CY	F115YMM6	CY
16	1	Y1	9.84375MHZ	CY	9.84375MHZ	CY

Table 4

## Package Information



### 6-Pin Sot Package Type

### SOT23-6 Package

#### Notes:

1. Dimensions and tolerances are in accordance with ANSI Y14.5M, 1982.
2. Package surface to be mirror finish.
3. Die is facing up for mold. Die is facing down for trim/form, that is, reverse trim/form.
4. The footlength measuring is based on the gauge plane method.
5. Dimensions are exclusive of mold flash and gate burr.

