

CGA5L3NP02E223J160AA

TDK Item Description : CGA5L3NP02E223T****



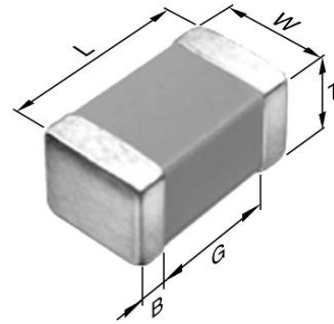
Equivalent C3216NP02E223J for Automotive

Application & Main Feature

Automotive Grade (High Temperature Application)

Series

CGA5(3216) [EIA CC1206]



Dimensions

L	3.20mm +0.3/-0.1mm
W	1.60mm +0.3/-0.1mm
T	1.6mm +0.3/-0.1mm
B	0.20mm Min.
G	1.00mm Min.

Temperature Characteristic

NP0 (-55 to 150 degC 0+/-30ppm/degC)

Rated Voltage

2E (250Vdc)

Capacitance

22nF

Capacitance Tolerance

J (+/-5%)

Q Factor

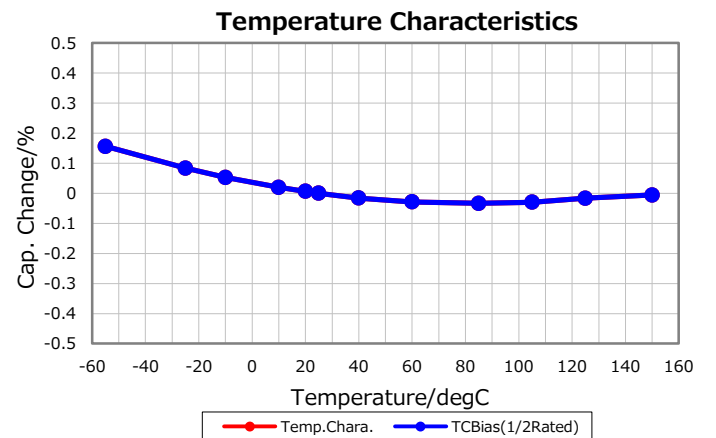
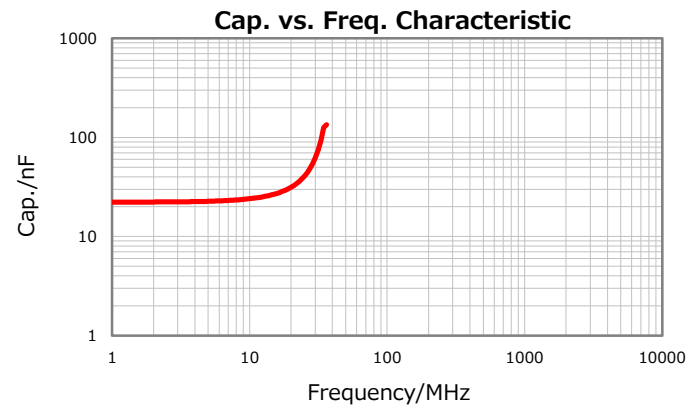
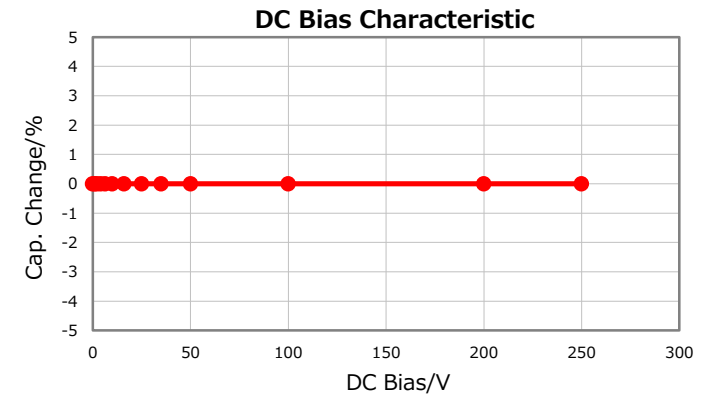
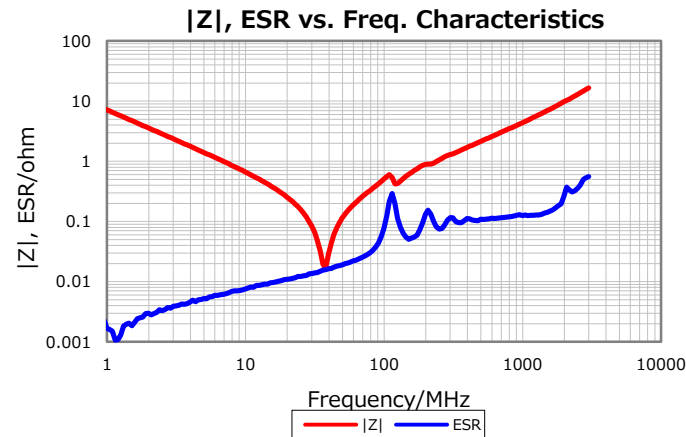
1000 Min.

Insulation Resistance

10Gohm Min

AEC-Q200

Yes



Characterization Sheet (Multilayer Ceramic Chip Capacitors)



All specifications are subject to change without notice.

April 13, 2016