

THE INFORMATION CONTAINED HEREIN IS CONSIDERED 'PROPRIETARY' TO BEL FUSE INC. AND SHALL NOT BE COPIED, REPRODUCED OR DISCLOSED WITHOUT THE WRITTEN APPROVAL OF BEL FUSE INC.

LED1 POLARITY			LED2 POLARITY		
PIN 11	PIN 12	COLOR	PIN 13	PIN 14	COLOR
-	+	YELLOW	-	+	YELLOW
+	-	GREEN	+	-	GREEN



**ELECTRICAL CHARACTERISTICS @ 25°C**

**URNS RATIO**

TP1	1CT : 1CT ±2%
TP2	1CT : 1CT ±2%
TP3	1CT : 1CT ±2%
TP4	1CT : 1CT ±2%
DCL @ 100kHz/100mVRMS	350µH MIN.
8mA DC BIAS	
INS. LOSS	
100KHZ TO 125MHZ	-1.2 dB MAX
RET. LOSS (MIN)	
0.5MHZ-40MHZ	-18 dB
40MHZ-100MHZ	-12+20LOG(f/80MHZ) dB

**CROSS TALK:**

Ch1-Ch2,Ch1-Ch3,Ch1-Ch4,Ch2-Ch3,Ch2-Ch4,Ch3-Ch4	
1MHz - 30MHz	-35 dB MIN
30MHz - 80MHz	-24 dB MIN
80MHz - 100MHz	-25 dB MIN

**CM TO CM REJ**

100kHz - 100MHz	-30 dB MIN
-----------------	------------

**CM TO DM REJ**

100kHz - 100MHz	-35 dB MIN
-----------------	------------

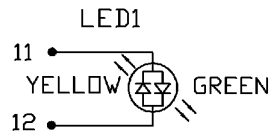
HIPOT (Isolation Voltage): 1500 Vrms

100% OF PRODUCTION TESTED TO COMPLY WITH IEEE 802.3 ISOLATION REQUIREMENTS.

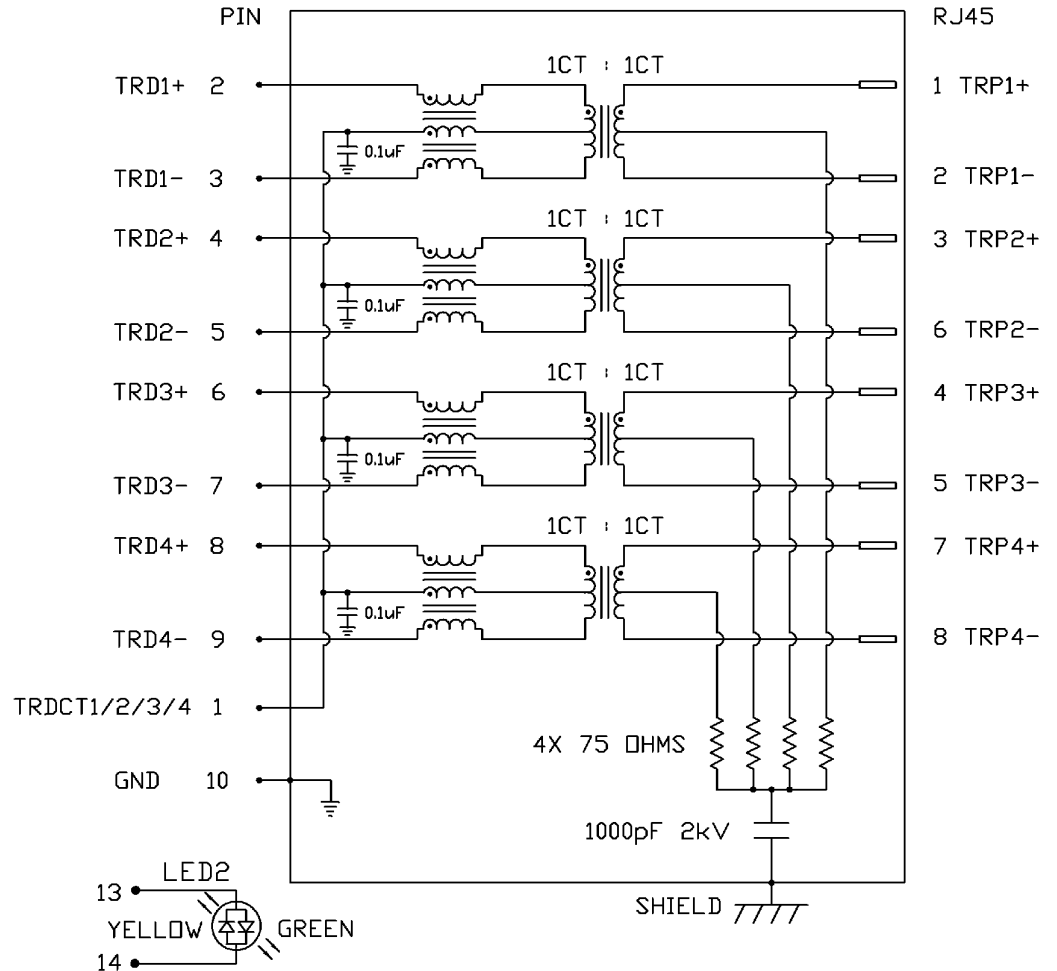
OPERATING TEMPERATURE RANGE: -40 TO +85°C

**LED 1 AND LED 2**

V <sub>F</sub> (FORWARD VOLTAGE)	I <sub>F</sub> =20mA	GREEN	2.2V TYP.
		YELLOW	2.1V TYP.
λ <sub>D</sub> (DOMINANT WAVELENGTH)	I <sub>F</sub> =20mA	GREEN	565nm TYP.
		YELLOW	590nm TYP.



**SCHEMATIC**



<b>ORIGINATED BY</b>	<b>DATE</b>
CHOW WANCHUNG	07-11-08
<b>DRAWN BY</b>	<b>DATE</b>
LI YONGFENG	07-11-08

<b>TITLE</b>
Gigabit MagJack® WITH LED Extend Temp.

<b>PART NO. / DRAWING NO.</b>
SI-61025-F
<b>FILE NAME</b>
SI-61025-F_A.DWG

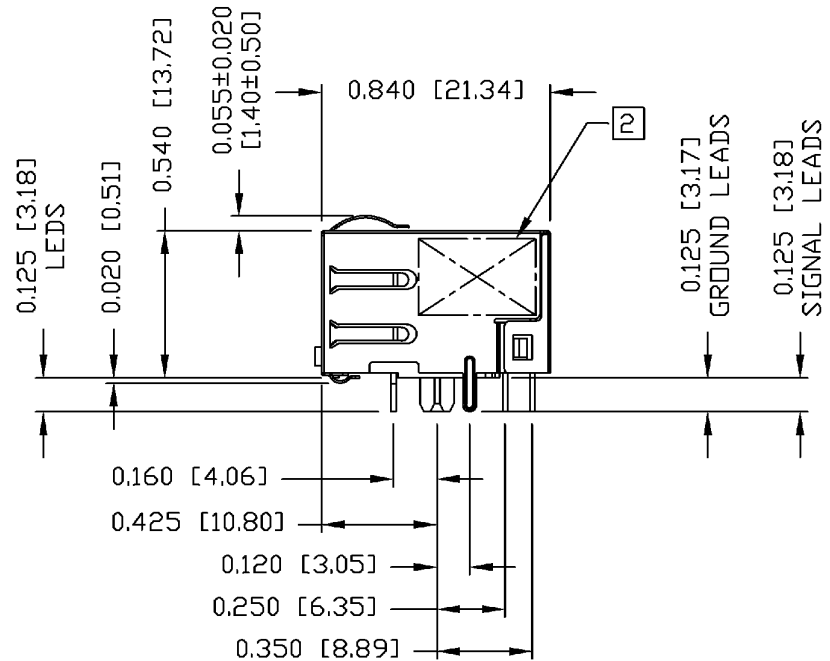
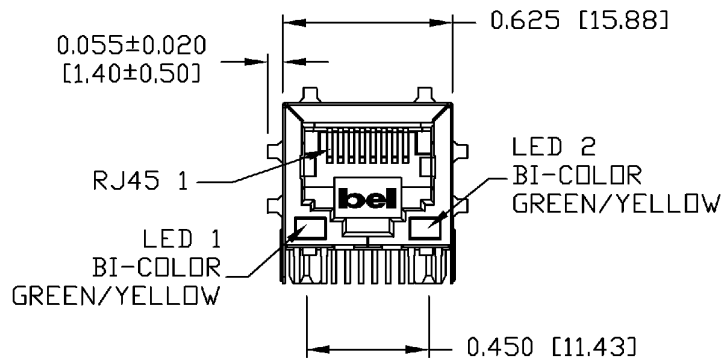
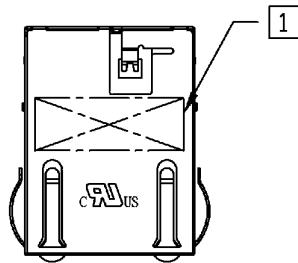
<b>STANDARD DIM.</b>	<b>TOL. IN INCH</b>
.X	
.XX	
.XXX	

[ ] METRIC DIM. AS REFERENCE	
UNIT : INCH [mm]	REV. : A
SCALE : N/A	SIZE : A4
	PAGE : 2



THE INFORMATION CONTAINED HEREIN IS CONSIDERED 'PROPRIETARY' TO BEL FUSE INC. AND SHALL NOT BE COPIED, REPRODUCED OR DISCLOSED WITHOUT THE WRITTEN APPROVAL OF BEL FUSE INC.

RoHS  
2002/95/EC



**NOTES:**

- PLASTIC HOUSING: THERMOPLASTIC PBT  
FLAMMABILITY RATING UL 94V-0
- CONTACTS PLATING: 50 MICRO-INCH HARD GOLD PLATING
- PINS: TIN-COATED COPPER WIRE, DIA 0.018 INCH.
- METAL SHIELD: NICKEL PLATED ON COPPER ALLOY.  
(ALL GROUND LEADS ARE SOLDER DIPPED)

- 1 MARK PART WITH MFG PART NUMBER(SI-61025-F), DATE CODE.
- 2 MARK PART WITH MFG LOGO, MFG NAME.
- 3. JACK CAVITY CONFORMS TO FCC RULES AND REGULATIONS
- 4. RoHS COMPLIANCE, PER EU DIRECTIVE 2002/95/EC.

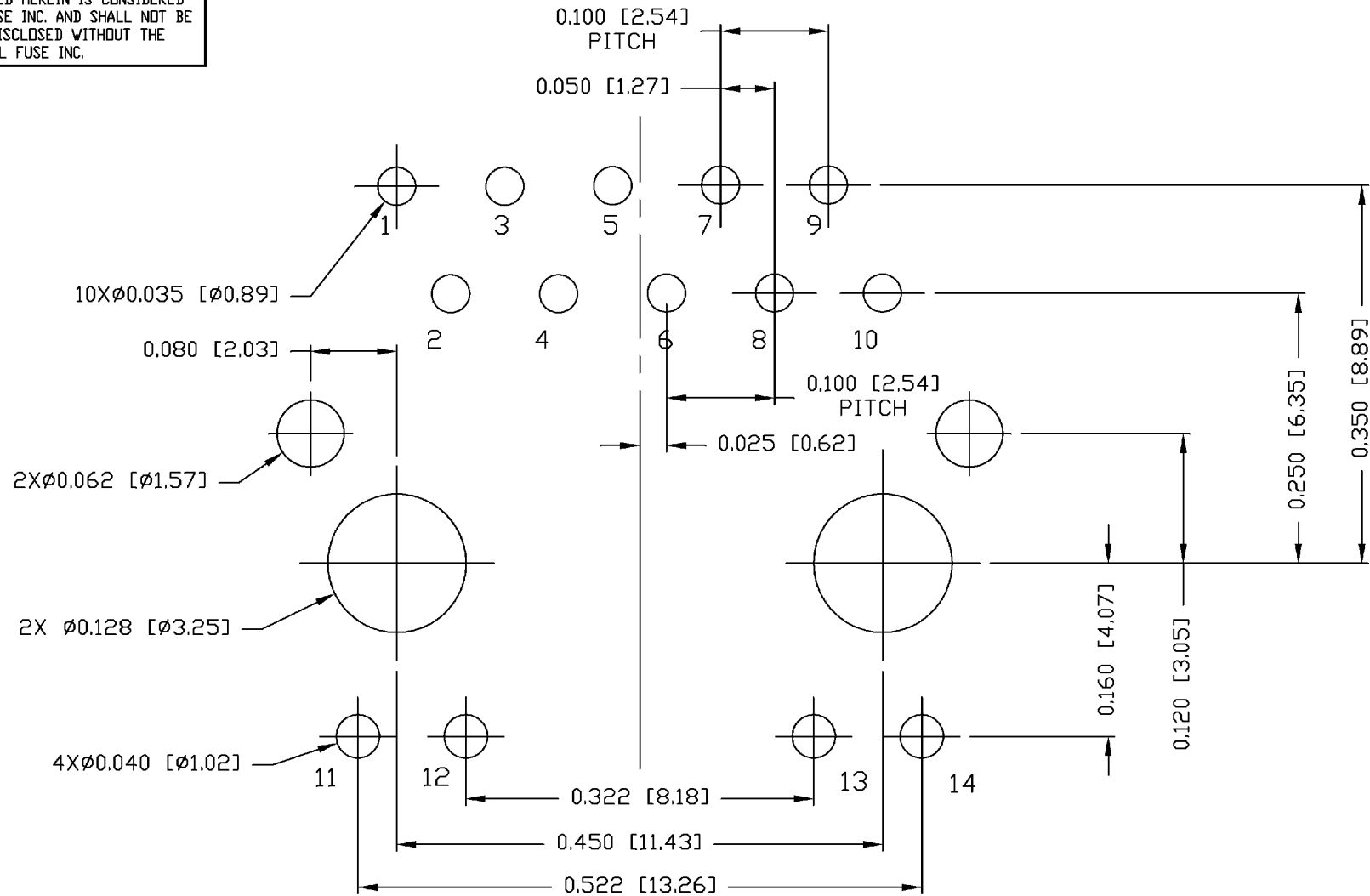
c US UL RECOGNIZED - FILE #E132408.

ORIGINATED BY	DATE	TITLE	PART NO. / DRAWING NO.	STANDARD DIM. TOL. IN INCH	[ ] METRIC DIM. AS REFERENCE
BILL CHEN	07-11-08	Gigabit MagJack® WITH LED Extend Temp.	SI-61025-F	.X	UNIT : INCH [mm] REV. : A
DRAWN BY	DATE		FILE NAME	.XX	SCALE : N/A SIZE : A4
SALLY LUD	07-11-08		SI-61025-F_A.DWG	.XXX ±0.010	PAGE : 3



THE INFORMATION CONTAINED HEREIN IS CONSIDERED 'PROPRIETARY' TO BEL FUSE INC. AND SHALL NOT BE COPIED, REPRODUCED OR DISCLOSED WITHOUT THE WRITTEN APPROVAL OF BEL FUSE INC.

RoHS  
2002/95/EC



RECOMMENDED PCB FOOTPRINT  
COMPONENT SIDE VIEW

ORIGINATED BY BILL CHEN	DATE 07-11-08	TITLE Gigabit MagJack® WITH LED Extend Temp.	PART NO. / DRAWING NO. SI-61025-F	STANDARD DIM. TOL. IN INCH	[ ] METRIC DIM. AS REFERENCE	bel COMPONENTS FOR A CONNECTED PLANET
DRAWN BY SALLY LUD	DATE 07-11-08		FILE NAME SI-61025-F_A.DWG	.X .XX .XXX	UNIT : INCH [mm] SCALE : N/A	
				±0.004		

DC002(2)032305

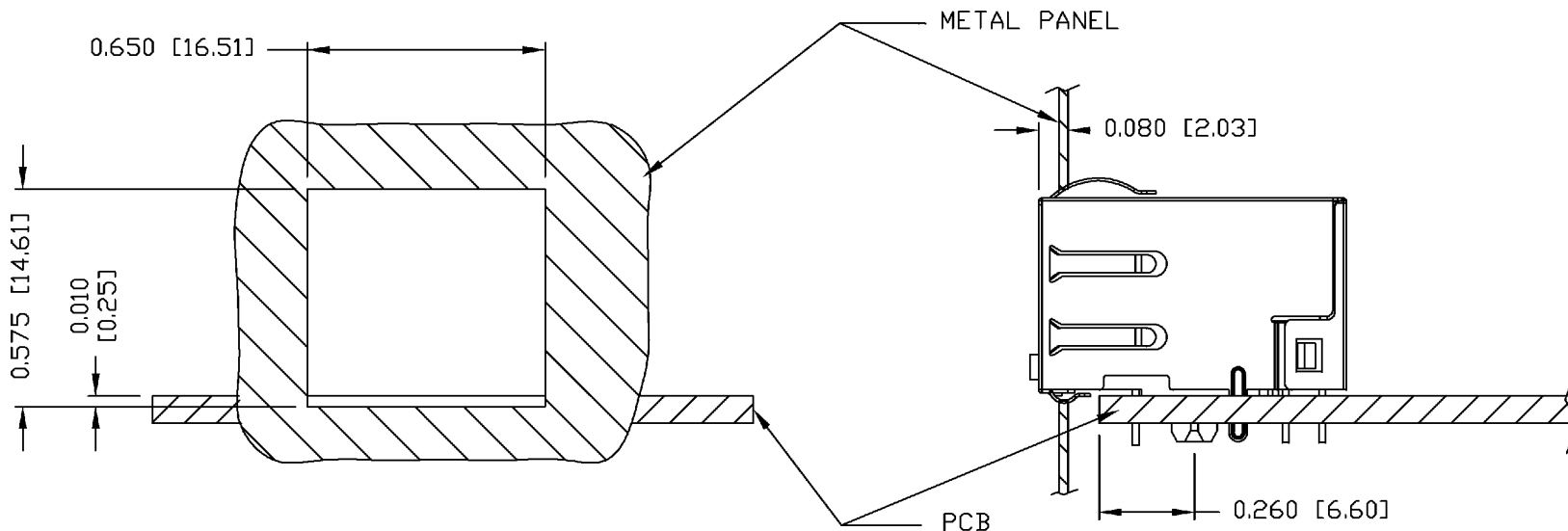
This document is electronically generated. This is a controlled copy if used internally

THE INFORMATION CONTAINED HEREIN IS CONSIDERED "PROPRIETARY" TO BEL FUSE INC. AND SHALL NOT BE COPIED, REPRODUCED OR DISCLOSED WITHOUT THE WRITTEN APPROVAL OF BEL FUSE INC.

RoHS  
2002/95/EC



SUGGESTED PANEL OPENING



NOTES:

THE DISTANCE OF PANEL INSIDE SURFACE RELATIVE TO FRONT SURFACE OF PART IS ONLY A SUGGESTION. IN CASE THIS DISTANCE IS DIFFERENT, THE REQUIRED PANEL OPENING DIMENSIONS CHANGE ACCORDINGLY.

PACKING INFORMATION

PACKING TRAY : 0200-9999-Q7 (TOP)

0200-9999-Q8 (BOTTOM)

PACKING QUANTITY : 80 PCS FINISHED GOODS PER TRAY

10 TRAYS (800 PCS FINISHED GOODS) PER CARTON BOX

NOTE : CARDBOARDS ARE PLACED BETWEEN LAYERS OF PACKING TRAY INSIDE CARTON BOX

(INCLUDE THE UPPERMOST AND LOWERMOST TRAY)

<b>ORIGINATED BY</b> BILL CHEN	<b>DATE</b> 07-11-08	<b>TITLE</b> Gigabit MagJack® WITH LED Extend Temp.	<b>PART NO. / DRAWING NO.</b> SI-61025-F	<b>STANDARD DIM.</b>	<b>[ ] METRIC DIM. AS REFERENCE</b>		<b>bel</b> COMPONENTS FOR A CONNECTED PLANET
<b>DRAWN BY</b> SALLY LUD	<b>DATE</b> 07-11-08		<b>FILE NAME</b> SI-61025-F_A.DWG	<b>TOL. IN INCH</b> .X .XX .XXX ±0.004	<b>UNIT : INCH [mm]</b>	<b>REV. : A</b>	
						<b>PAGE : 5</b>	

# Mouser Electronics

Authorized Distributor

Click to View Pricing, Inventory, Delivery & Lifecycle Information:

[Bel:](#)

[SI-61025-F](#)