

Notes:

1. Material and Finish:

- Coupler Ring: Polyester (Black); UL94 V-0
- Plug Housing: Polyester (Black); UL94 V-0
- Cable Gland: PA (Black), UL94 V-0
- Cable Gland Rubber Ring: NBR, Color: Black
- Cable Fitting: PA (Black), UL94 V-0
- Interfacial Seal: Silicone, Color: White

(f) Duplex LC Connector

- Housing: PEI, UL94 V-0,

(e) (b) Color: **SM Blue/MM Beige/APC SM Green**

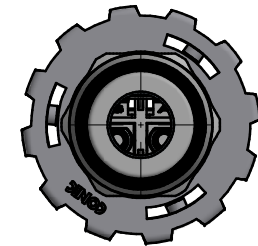
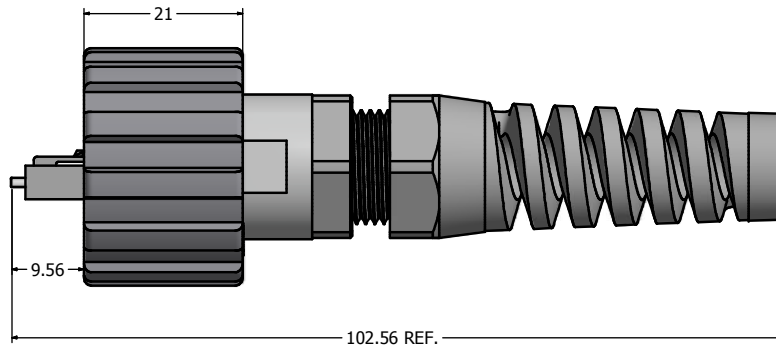
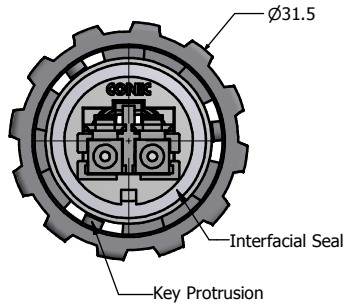
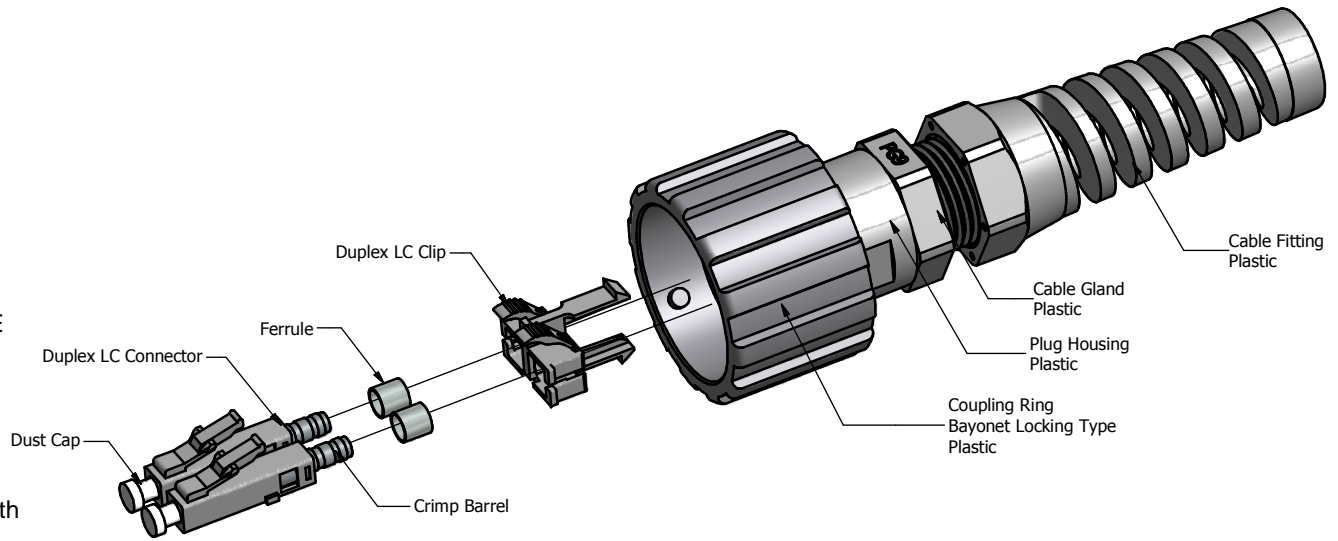
- Inner Sub Assembly: Zirconia, Metal and PTFE
- Crimp Barrel: Brass, Nickel Plated
- Ferrule: Brass, Nickel Plated
- Dust Cap: PC, Color: White

(c) Duplex LC Clip: PC, Color: Black

- Operating Temperature: -40°C to +85°C

(h) 2. IP67/IP68 rated when covered or fully mated with the appropriate mating connector

(d) 3. Accept 4.5mm to 8.0mm outside diameter fiber optic cable



Description	Part Number
Single Mode (SM)	17-300030
Multi Mode (MM)	17-300040
(e) APC Single Mode (APC SM)	17-300110

RoHS Compliant

THIS DRAWING MAY NOT BE COPIED OR REPRODUCED IN ANY MANNER AND MAY NOT BE PASSED ON TO A THIRD PARTY WITHOUT WRITTEN PERMISSION. OWNERSHIP AND COPYRIGHT OF CONEC CORPORATION. DO NOT ALTER CAD DRAWING BY HAND	Customer:			Tolerance Unless otherwise specified			Scale: 1.5:1	Dim. in mm
	Name	Title	Approval Date	9	0 PLC ±0.58 1 PLC ±0.38 2 PLC ±0.25 3 PLC ±0.10 ANGLES ±.7		Autodesk Inventor	Material: See Notes
	h	1 x h	Dec/03/2015	Vincent Ke	2008	Date	Name	Title: IP67 Industrial Duplex LC Plug Kit Plastic Version
	g	1 x g	Sep/25/2015	Vincent Ke	Draw.	Jun. 06	Vincent Ke	
f	1 x f	Jul/12/2011	Vincent ke	Appd.	Jun. 06	J. Chaudry	Drawing No.: 17K1A003	
e	2 x e	Nov/22/2010	Vincent Ke	Norm				
d	1 x d	Nov/03/2010	Vincent Ke	D-old			Part No.: SEE P/N ABOVE	
c	1 x c	Jul/19/2010	Vincent Ke					
a	original						DIN A3	
Rev.	Changes	Date	Name				Sheet 1/1	

Mouser Electronics

Authorized Distributor

Click to View Pricing, Inventory, Delivery & Lifecycle Information:

[CONEC:](#)

[17-300030](#) [17-300110](#) [17-300040](#)