

# MFBW1V1608

## Multilayer chip ferrite bead



### Product features

- 0603 (1608 metric) package
- High impedance values
- Multilayer monolithic construction yields high reliability
- Impedance range from 0  $\Omega$  to 2000  $\Omega$

### Applications

- Industrial connectivity (IoT)
- Wireless communications
- Bluetooth
- WiFi
- Antenna
- Machine-to-machine (M2M)
- Mobile phones
- Wearable devices
- Wireless LAN
- Computing/gaming consoles
- Broadband components
- RF transceiver modules

### Environmental compliance and general specifications

- Operating temperature range: -40 °C to +85 °C (ambient plus self-temperature rise)



**Product specifications**

Part number <sup>3</sup>	Impedance tolerance	Impedance (Ω)	DCR (Ω) maximum @ +25 °C	Test frequency <sup>1</sup> (MHz)	Test voltage <sup>1</sup> (mV)	Rated I <sup>2</sup> (mA) maximum
MFBW1V1608-000-R	0~15 Ω	0	0.08	100	50	1000
MFBW1V1608-050-R	0~15 Ω	5	0.08	100	50	1000
MFBW1V1608-070-R	0~11 Ω	7	0.08	100	50	1000
MFBW1V1608-090-R	5~13 Ω	9	0.08	100	50	1000
MFBW1V1608-110-R	7~15 Ω	11	0.08	100	50	1000
MFBW1V1608-150-R	9~21 Ω	15	0.08	100	50	1000
MFBW1V1608-190-R	12~25 Ω	19	0.08	100	50	1000
MFBW1V1608-260-R	±25%	26	0.08	100	50	1000
MFBW1V1608-300-R	±25%	30	0.08	100	50	1000
MFBW1V1608-310-R	±25%	31	0.08	100	50	1000
MFBW1V1608-500-R	±25%	50	0.12	100	50	1000
MFBW1V1608-600-R	±25%	60	0.12	100	50	1000
MFBW1V1608-700-R	±25%	70	0.15	100	50	1000
MFBW1V1608-800-R	±25%	80	0.15	100	50	1000
MFBW1V1608-101-R	±25%	100	0.15	100	50	1000
MFBW1V1608-121-R	±25%	120	0.15	100	50	1000
MFBW1V1608-151-R	±25%	150	0.20	100	50	1000
MFBW1V1608-181-R	±25%	180	0.20	100	50	1000
MFBW1V1608-221-R	±25%	220	0.20	100	50	1000
MFBW1V1608-301-R	±25%	300	0.25	100	50	1000
MFBW1V1608-501-R	±25%	500	0.30	100	50	1000
MFBW1V1608-601-R	±25%	600	0.30	100	50	1000
MFBW1V1608-801-R	±25%	800	0.55	100	50	500
MFBW1V1608-102-R	±25%	1000	0.55	100	50	500
MFBW1V1608-122-R	±25%	1200	0.65	100	50	500
MFBW1V1608-152-R	±25%	1500	0.75	100	50	400
MFBW1V1608-182-R	±25%	1800	0.75	100	50	400
MFBW1V1608-202-R	±25%	2000	0.90	100	50	400

1. Impedance test frequency and voltage.

2. Rated I: Current rating for an approximate self-temperature rise of 40 °C or less.

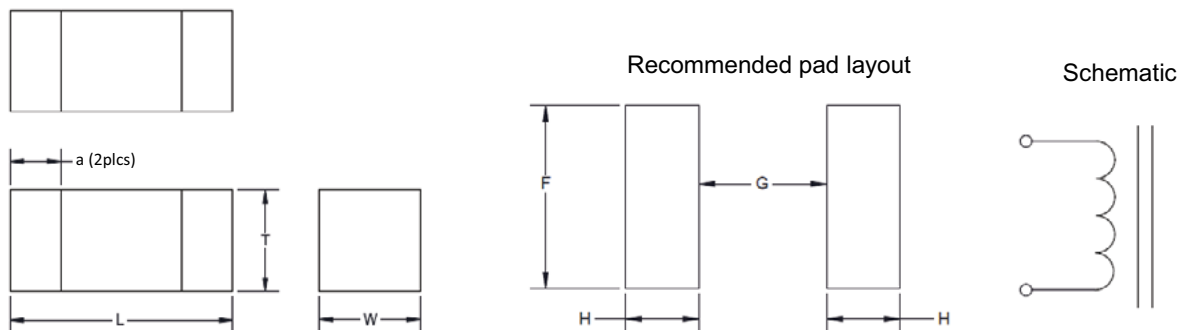
3. Part number definition: MFBW1V1608-xxx-R

MFBW1V1608 = Product code and size

xxx = Impedance value in Ω, last character equals number of zeros

-R suffix = RoHS compliant

**Mechanical parameters, schematic, pad layout (mm)**

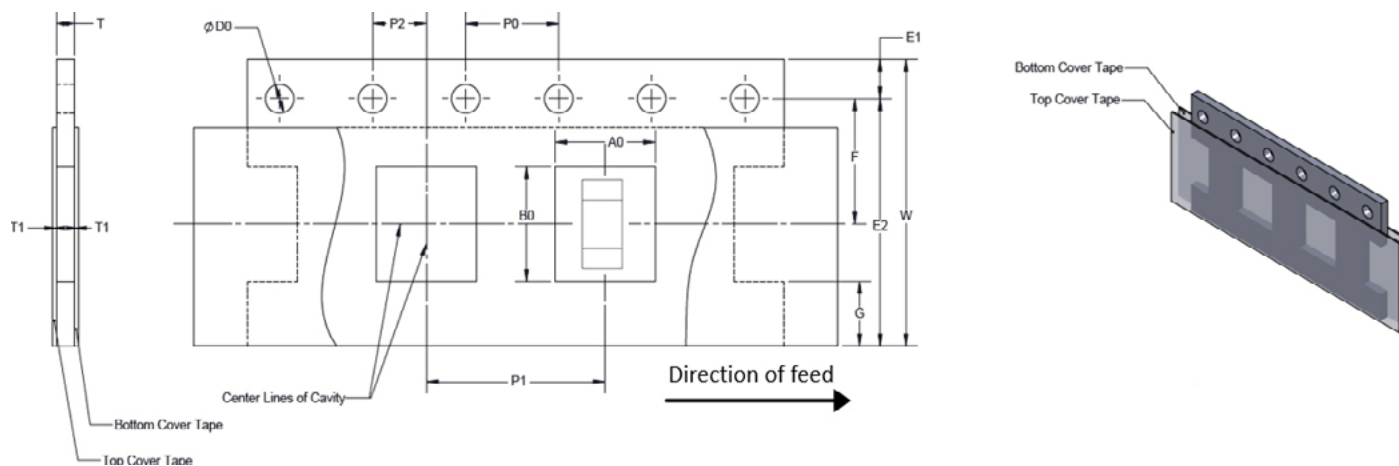


Part number	L	W	T	a	F	G	H
MFBW1V1608-xxx-R	1.6 ±0.2	0.80 ±0.2	0.80 ±0.2	0.30 ±0.2	1.20 ref	0.40 ref	0.90 ref

Part marking: No marking  
 All soldering surfaces to be coplanar within 0.1 millimeters  
 Tolerances are ±0.1 millimeters unless stated otherwise  
 Pad layout dimensions are reference only  
 Traces or vias underneath the inductor is not recommended

**Packaging information (mm)**

Drawing not to scale  
 Supplied in tape and reel packaging, 4000 parts per 7" diameter reel

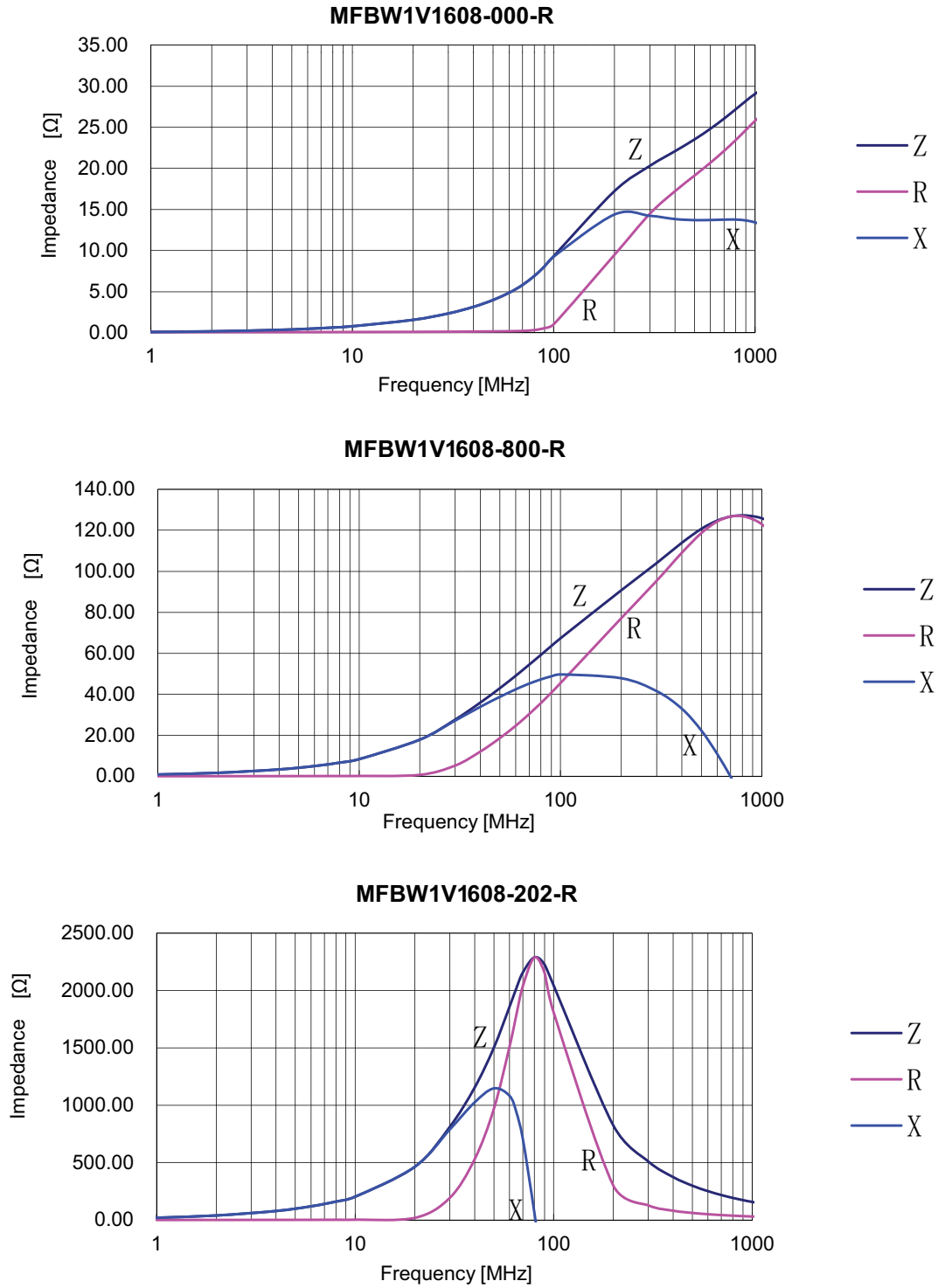


W±0.2	8.00
F±0.1	3.50
E1±0.2	1.75
E2 Min	na
P0±0.2	4.00
P1±0.2	4.00
P2±0.1	2.00
D0±0.1	1.55
A0	1.1±0.2
B0	1.9±0.2
T	0.95±0.1
T1 Max	na

**Qualification testing**

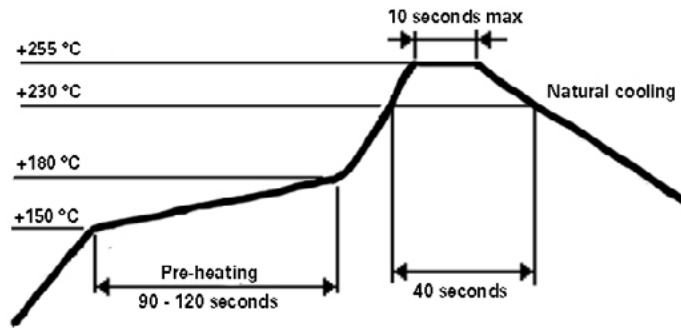
<b>No.</b>	<b>Test item</b>	<b>Sample size (pcs)</b>	<b>Test condition</b>	<b>Acceptable value/range</b>
1	External visual	72	Specification	No physical damage
2	Physical dimension	72	Specification	Specification
3	Initial electrical test	72	Specification	User specification
4	Solderability	6	+245 °C ±5 °C, dipping 5 ±1s	>95% solder coverage
5	Resistance to soldering heat	6	+260 ±5 °C for 10 ±1 s	1. $\Delta Z/Z < \pm 30\%$ 2. No physical damage
6	Terminal strength (SMD)	6	Force of 5 N for 10 ±1 s	No physical damage No electrical performance test
7	Low temperature exposure	6	-40 °C for 1000 hours	1. $\Delta Z/Z < \pm 30\%$ 2. No physical damage
8	Bending strength	6	Appendix 2 note: 2 mm, hold time 30 s (minimum)	No physical damage No electrical performance test
9	Drop	6	Drop 10 times to a concrete floor from a height of 1 m	1. $\Delta Z/Z < \pm 30\%$ 2. No physical damage
10	Vibration	6	Amplitude modulation: 1.5 mm Test time: A period of 2 hours in each of 3 mutually perpendicular directions Test from 10 Hz to 55 Hz to 10 Hz for 1 minute	1. $\Delta Z/Z < \pm 30\%$ 2. No physical damage
11	High temperature exposure	6	+85 °C for 1000 hours	1. $\Delta Z/Z < \pm 30\%$ 2. No physical damage
12	Biased humidity	6	1000 hours +60 °C/90% to 95% RH unpowered	1. $\Delta Z/Z < \pm 30\%$ 2. No physical damage
13	Operational life	12	+85 °C at rated current for 1000 hours	1. $\Delta Z/Z < \pm 30\%$ 2. No physical damage
14	Temperature cycling	6	32 cycles (-40 °C to +85 °C), dwell time 30 minutes	1. $\Delta Z/Z < \pm 30\%$ 2. No physical damage

Impedance vs frequency



Z= impedance, R= resistance, X= reactance

**Solder reflow profile**



Life Support Policy: Eaton does not authorize the use of any of its products for use in life support devices or systems without the express written approval of an officer of the Company. Life support systems are devices which support or sustain life, and whose failure to perform, when properly used in accordance with instructions for use provided in the labeling, can be reasonably expected to result in significant injury to the user.

Eaton reserves the right, without notice, to change design or construction of any products and to discontinue or limit distribution of any products. Eaton also reserves the right to change or update, without notice, any technical information contained in this bulletin.

**Eaton**  
**Electronics Division**  
1000 Eaton Boulevard  
Cleveland, OH 44122  
United States  
Eaton.com/electronics

© 2020 Eaton  
All Rights Reserved  
Printed in USA  
Publication No. 11107 BU-MC20087  
June 2020

Eaton is a registered trademark.

All other trademarks are property  
of their respective owners.

Follow us on social media to get the  
latest product and support information.



# Mouser Electronics

Authorized Distributor

Click to View Pricing, Inventory, Delivery & Lifecycle Information:

## Eaton:

[MFBW1V1608-501-R](#) [MFBW1V1608-600-R](#) [MFBW1V1608-601-R](#) [MFBW1V1608-700-R](#) [MFBW1V1608-800-R](#)  
[MFBW1V1608-801-R](#) [MFBW1V1608-221-R](#) [MFBW1V1608-260-R](#) [MFBW1V1608-300-R](#) [MFBW1V1608-301-R](#)  
[MFBW1V1608-310-R](#) [MFBW1V1608-500-R](#) [MFBW1V1608-151-R](#) [MFBW1V1608-152-R](#) [MFBW1V1608-181-R](#)  
[MFBW1V1608-182-R](#) [MFBW1V1608-190-R](#) [MFBW1V1608-202-R](#) [MFBW1V1608-101-R](#) [MFBW1V1608-102-R](#)  
[MFBW1V1608-110-R](#) [MFBW1V1608-121-R](#) [MFBW1V1608-122-R](#) [MFBW1V1608-150-R](#) [MFBW1V1608-000-R](#)  
[MFBW1V1608-050-R](#) [MFBW1V1608-070-R](#) [MFBW1V1608-090-R](#)