

N-channel 800 V, 0.95 Ω typ., 6 A MDmesh™ K5 Power MOSFETs in DPAK, TO-220 and IPAK packages

Datasheet - production data

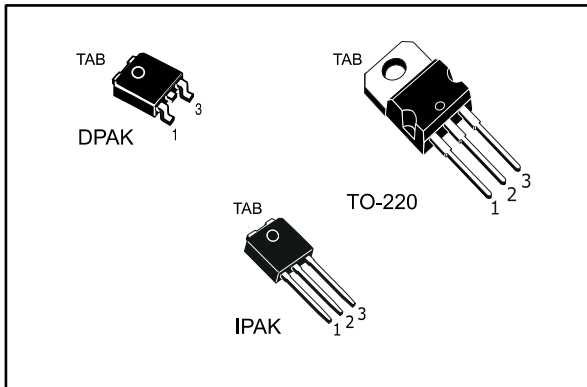
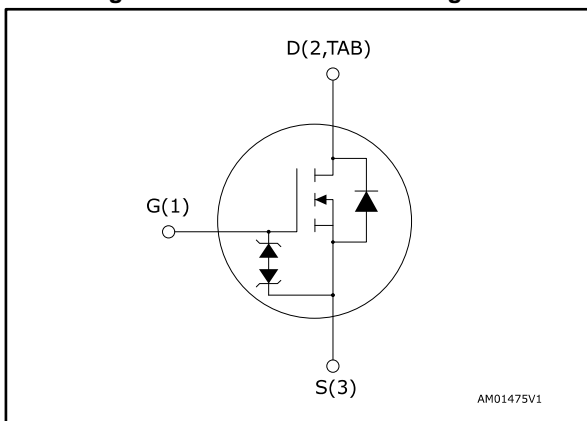


Figure 1: Internal schematic diagram



Features

Order code	V _{DS}	R _{DS(on)} max	I _D	P _{TOT}
STD7N80K5	800 V	1.2 Ω	6 A	110 W
STP7N80K5				
STU7N80K5				

- Industry's lowest R_{DS(on)} x area
- Industry's best FoM (figure of merit)
- Ultra-low gate charge
- 100% avalanche tested
- Zener-protected

Applications

- Switching applications

Description

This very high voltage N-channel Power MOSFET is designed using MDmesh™ K5 technology based on an innovative proprietary vertical structure. The result is a dramatic reduction in on-resistance and ultra-low gate charge for applications requiring superior power density and high efficiency.

Table 1: Device summary

Order code	Marking	Package	Packaging
STD7N80K5	7N80K5	DPAK	Tape and reel
STP7N80K5		TO-220	Tube
STU7N80K5		IPAK	

Contents

1 Electrical ratings 3

2 Electrical characteristics 4

 2.1 Electrical characteristics (curves)..... 6

3 Test circuits 9

4 Package information 10

 4.1 DPAK type A2 package information 11

 4.2 DPAK type C2 package information..... 14

 4.3 DPAK type E package information 17

 4.4 TO-220 package information..... 19

 4.5 IPAK type A package information..... 21

 4.6 IPAK type C package information 23

5 Packing mechanical data 25

6 Revision history 27



1 Electrical ratings

Table 2: Absolute maximum ratings

Symbol	Parameter	Value	Unit
V _{GS}	Gate- source voltage	± 30	V
I _D	Drain current (continuous) at T _C = 25 °C	6	A
I _D	Drain current (continuous) at T _C = 100 °C	3.8	A
I _{DM} ⁽¹⁾	Drain current (pulsed)	24	A
P _{TOT}	Total dissipation at T _C = 25 °C	110	W
I _{AR}	Max current during repetitive or single pulse avalanche (pulse width limited by T _{Jmax})	2	A
E _{AS}	Single pulse avalanche energy (starting T _J = 25 °C, I _D =I _{AS} , V _{DD} = 50 V)	88	mJ
dv/dt ⁽²⁾	Peak diode recovery voltage slope	4.5	V/ns
dv/dt ⁽³⁾	MOSFET dv/dt ruggedness	50	V/ns
T _j	Operating junction temperature range	-55 to 150	°C
T _{stg}	Storage temperature range		°C

Notes:

⁽¹⁾Pulse width limited by safe operating area.

⁽²⁾I_{SD} ≤ 6 A, di/dt ≤ 100 A/μs, V_{DS(peak)} ≤ V_{(BR)DSS}

⁽³⁾V_{DS} ≤ 640 V

Table 3: Thermal data

Symbol	Parameter	Value			Unit
		DPAK	TO-220	IPAK	
R _{thj-case}	Thermal resistance junction-case	1.14			°C/W
R _{thj-amb}	Thermal resistance junction-amb		62.5	100	°C/W
R _{thj-pcb} ⁽¹⁾	Thermal resistance junction-pcb	50			°C/W

Notes:

⁽¹⁾When mounted on 1 inch² FR-4, 2 Oz copper board.

2 Electrical characteristics

(T_{CASE} = 25 °C unless otherwise specified).

Table 4: On/off states

Symbol	Parameter	Test conditions	Min.	Typ.	Max.	Unit
V _{(BR)DSS}	Drain-source breakdown voltage	V _{GS} = 0 V; I _D = 1 mA	800			V
I _{DSS}	Zero gate voltage drain current	V _{GS} = 0 V; V _{DS} = 800 V			1	μA
		V _{GS} = 0 V; V _{DS} = 800 V, T _C = 125 °C ⁽¹⁾			50	μA
I _{GSS}	Gate body leakage current	V _{DS} = 0 V; V _{GS} = ± 20 V			±10	μA
V _{GS(th)}	Gate threshold voltage	V _{DS} = V _{GS} , I _D = 100 μA	3	4	5	V
R _{DS(on)}	Static drain-source on-resistance	V _{GS} = 10 V, I _D = 3 A		0.95	1.2	Ω

Notes:

⁽¹⁾Defined by design, not subject to production test.

Table 5: Dynamic

Symbol	Parameter	Test conditions	Min.	Typ.	Max.	Unit
C _{iss}	Input capacitance	V _{DS} = 100 V, f = 1 MHz, V _{GS} = 0 V	-	360	-	pF
C _{oss}	Output capacitance		-	30	-	pF
C _{rss}	Reverse transfer capacitance		-	1	-	pF
C _{o(tr)} ⁽¹⁾	Equivalent capacitance time related	V _{GS} = 0 V, V _{DS} = 0 to 640 V	-	47	-	pF
C _{o(er)} ⁽²⁾	Equivalent capacitance energy related		-	20	-	pF
R _G	Intrinsic gate resistance	f = 1 MHz, I _D = 0 A	-	6	-	Ω
Q _g	Total gate charge	V _{DD} = 640 V, I _D = 6 A	-	13.4	-	nC
Q _{gs}	Gate-source charge	V _{GS} = 0 to 10 V	-	3.7	-	nC
Q _{gd}	Gate-drain charge	(see Figure 18: "Test circuit for gate charge behavior")	-	7.5	-	nC

Notes:

⁽¹⁾Time related is defined as a constant equivalent capacitance giving the same charging time as C_{oss} when V_{DS} increases from 0 to 80% V_{DSS}

⁽²⁾Energy related is defined as a constant equivalent capacitance giving the same stored energy as C_{oss} when V_{DS} increases from 0 to 80% V_{DSS}

Table 6: Switching times

Symbol	Parameter	Test conditions	Min.	Typ.	Max.	Unit
$t_{d(on)}$	Turn-on delay time	$V_{DD} = 400\text{ V}$, $I_D = 3\text{ A}$, $R_G = 4.7\ \Omega$, $V_{GS} = 10\text{ V}$ (see Figure 17: "Test circuit for resistive load switching times" and Figure 22: "Switching time waveform")	-	11.3	-	ns
t_r	Rise time		-	8.3	-	ns
$t_{d(off)}$	Turn-off delay time		-	23.7	-	ns
t_f	Fall time		-	20.2	-	ns

Table 7: Source drain diode

Symbol	Parameter	Test conditions	Min.	Typ.	Max.	Unit
I_{SD}	Source-drain current		-		6	A
I_{SDM}	Source-drain current (pulsed)		-		24	A
$V_{SD}^{(1)}$	Forward on voltage	$I_{SD} = 6\text{ A}$, $V_{GS} = 0\text{ V}$	-		1.5	V
t_{rr}	Reverse recovery time	$I_{SD} = 6\text{ A}$, $V_{DD} = 60\text{ V}$ $di/dt = 100\text{ A}/\mu\text{s}$, (see Figure 19: "Test circuit for inductive load switching and diode recovery times")	-	315		ns
Q_{rr}	Reverse recovery charge		-	2.8		μC
I_{RRM}	Reverse recovery current		-	17.5		A
t_{rr}	Reverse recovery time	$I_{SD} = 6\text{ A}$, $V_{DD} = 60\text{ V}$ $di/dt = 100\text{ A}/\mu\text{s}$, $T_j = 150\text{ }^\circ\text{C}$ (see Figure 19: "Test circuit for inductive load switching and diode recovery times")	-	480		ns
Q_{rr}	Reverse recovery charge		-	3.8		μC
I_{RRM}	Reverse recovery current		-	16		A

Notes:

⁽¹⁾Pulsed: pulse duration = 300 μs , duty cycle 1.5%

Table 8: Gate-source Zener diode

Symbol	Parameter	Test conditions	Min	Typ.	Max	Unit
$V_{(BR)GSO}$	Gate-source breakdown voltage	$I_{GS} = \pm 1\text{ mA}$, $I_D = 0\text{ A}$	± 30	-	-	V

The built-in back-to-back Zener diodes are specifically designed to enhance the ESD performance of the device. The Zener voltage facilitates efficient and cost-effective device integrity protection, thus eliminating the need for additional external componentry.

2.1 Electrical characteristics (curves)

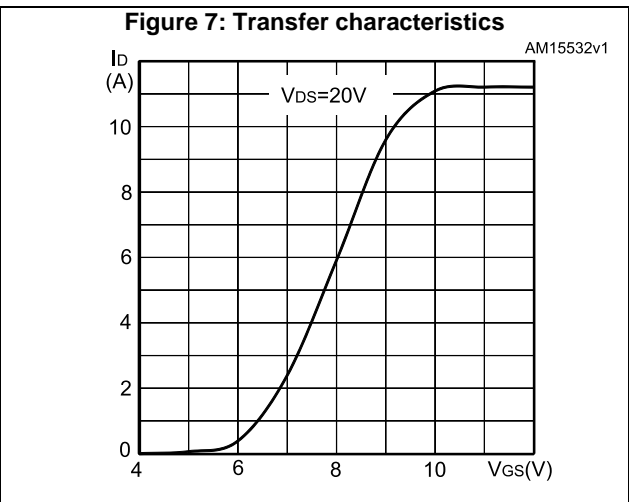
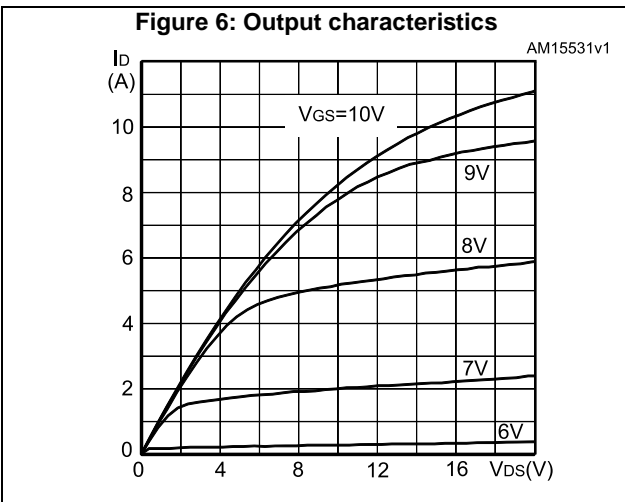
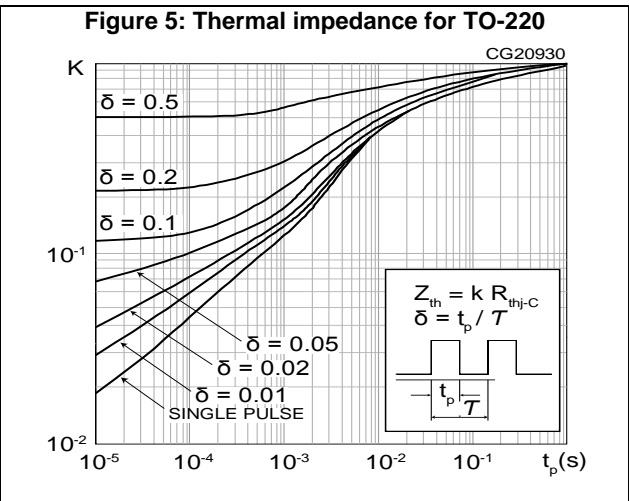
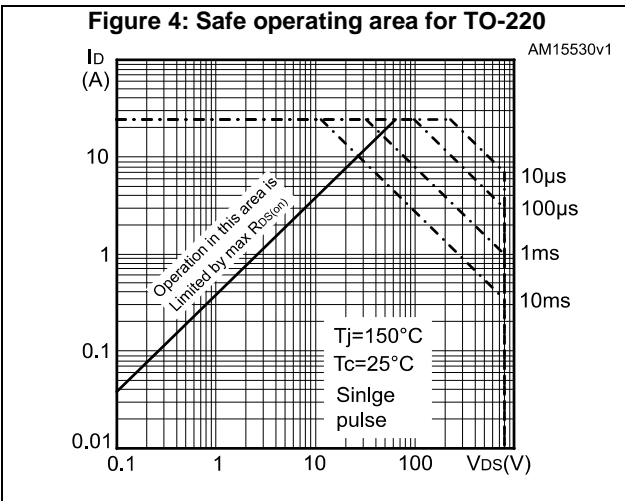
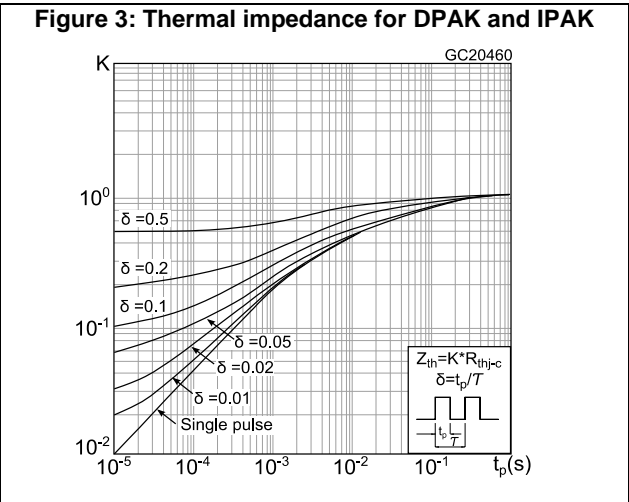
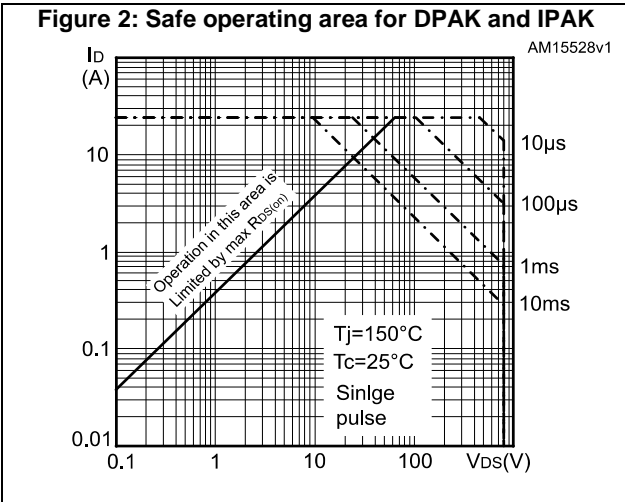


Figure 8: Gate charge vs gate-source voltage

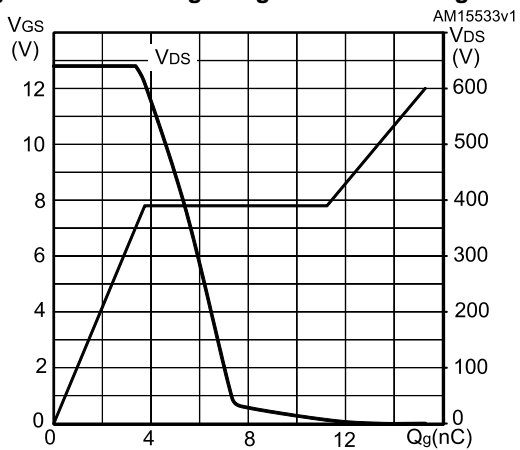


Figure 9: Static drain-source on-resistance

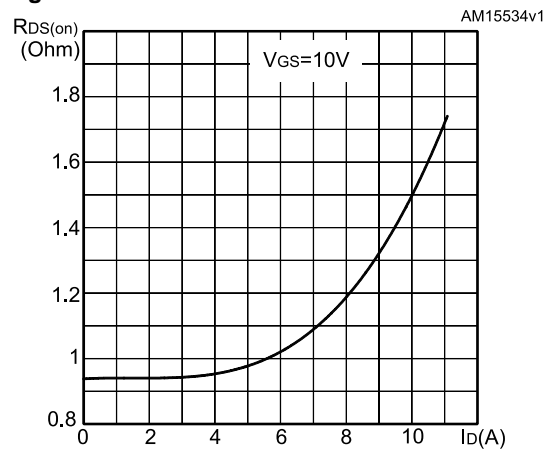


Figure 10: Capacitance variations

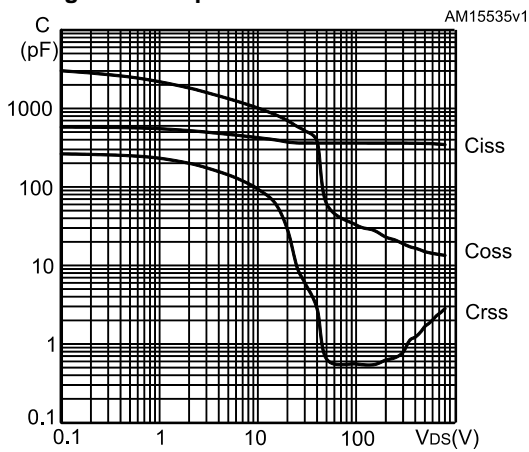


Figure 11: Output capacitance stored energy

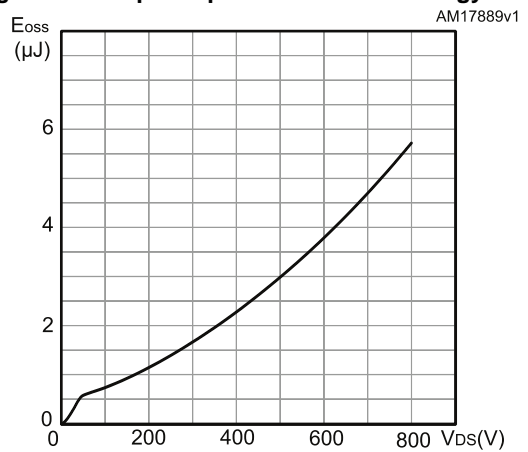


Figure 12: Normalized gate threshold voltage vs temperature

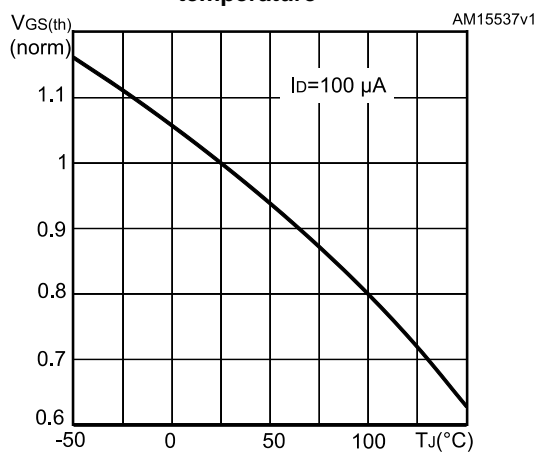


Figure 13: Normalized on-resistance vs temperature

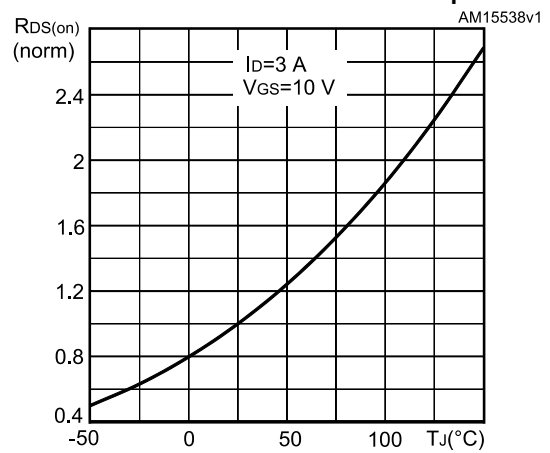


Figure 14: Maximum avalanche energy vs starting TJ

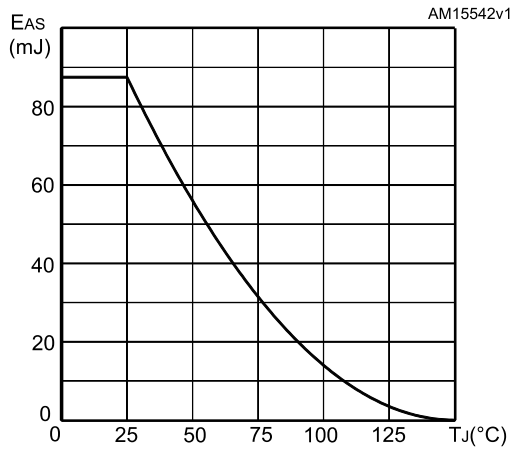


Figure 15: Normalized V(BR)DSS vs temperature

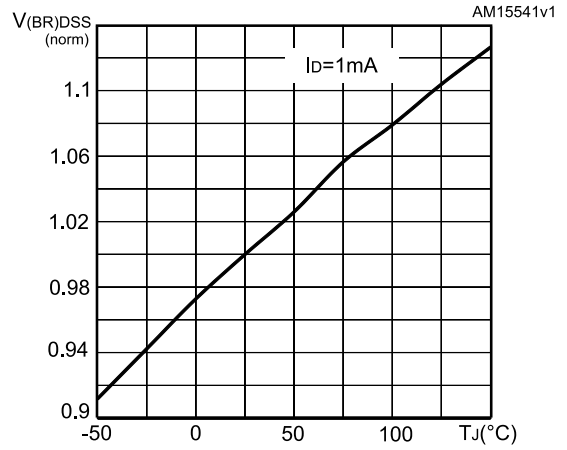
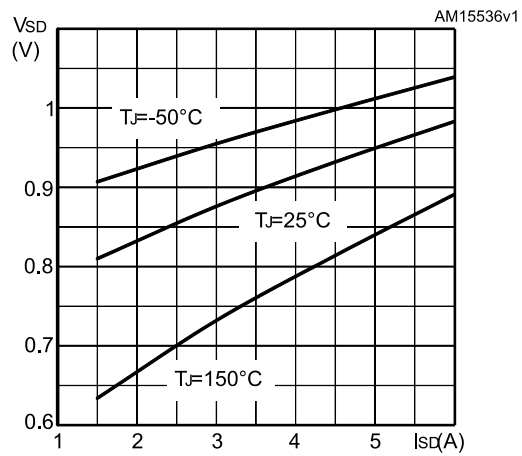


Figure 16: Source-drain diode forward characteristics



3 Test circuits

Figure 17: Test circuit for resistive load switching times



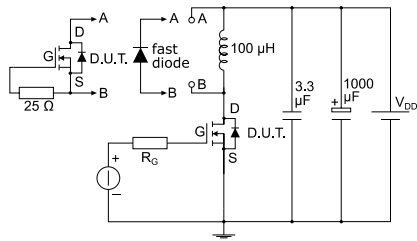
AM01468v1

Figure 18: Test circuit for gate charge behavior



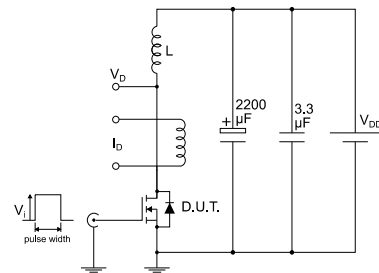
AM01469v1

Figure 19: Test circuit for inductive load switching and diode recovery times



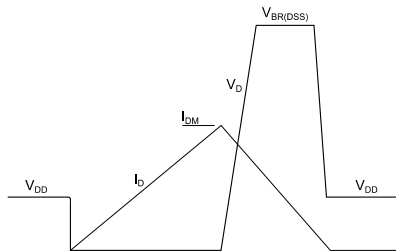
AM01470v1

Figure 20: Unclamped inductive load test circuit



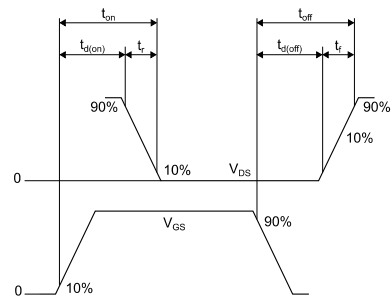
AM01471v1

Figure 21: Unclamped inductive waveform



AM01472v1

Figure 22: Switching time waveform



AM01473v1

4 Package information

In order to meet environmental requirements, ST offers these devices in different grades of ECOPACK® packages, depending on their level of environmental compliance. ECOPACK® specifications, grade definitions and product status are available at: www.st.com. ECOPACK® is an ST trademark.

4.1 DPAK type A2 package information

Figure 23: DPAK (TO-252) type A2 package outline

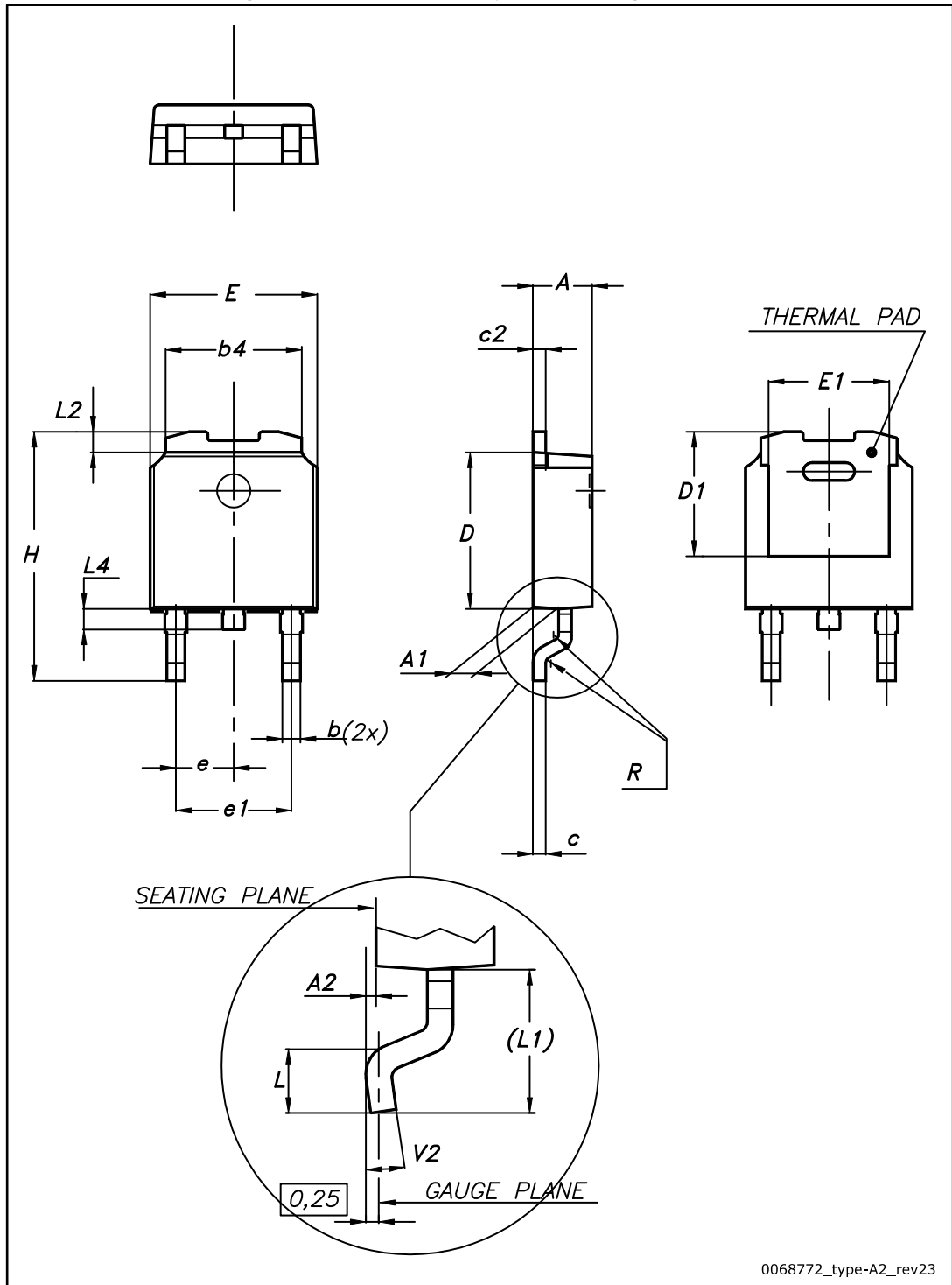
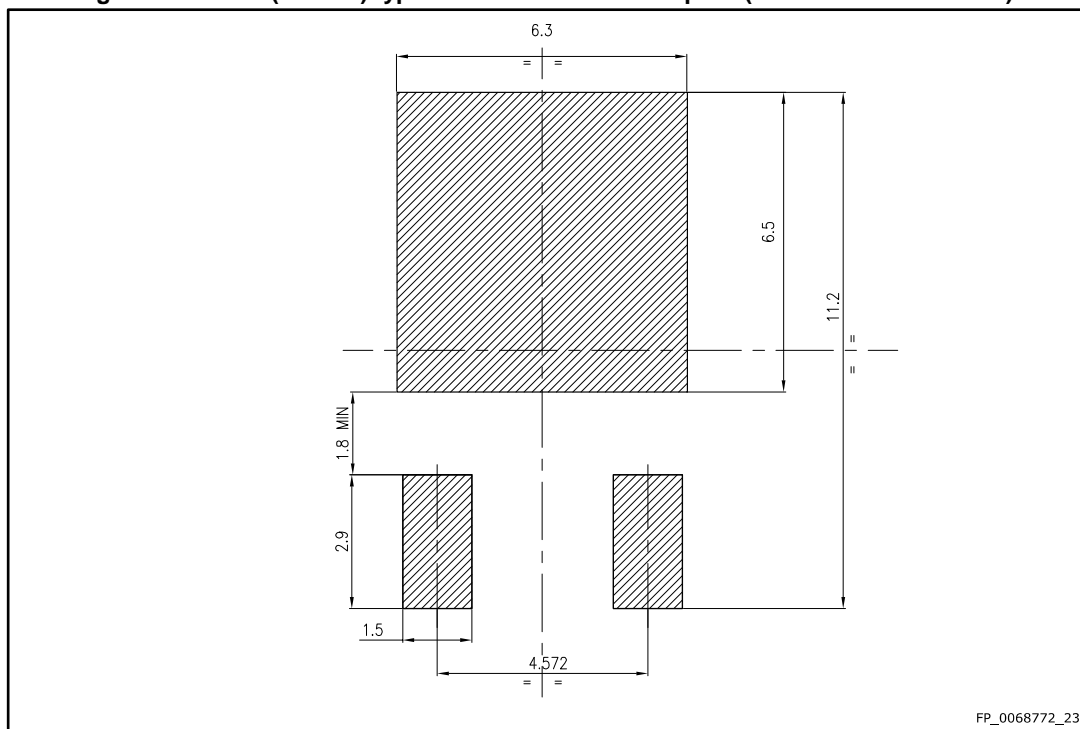


Table 9: DPAK (TO-252) type A2 mechanical data

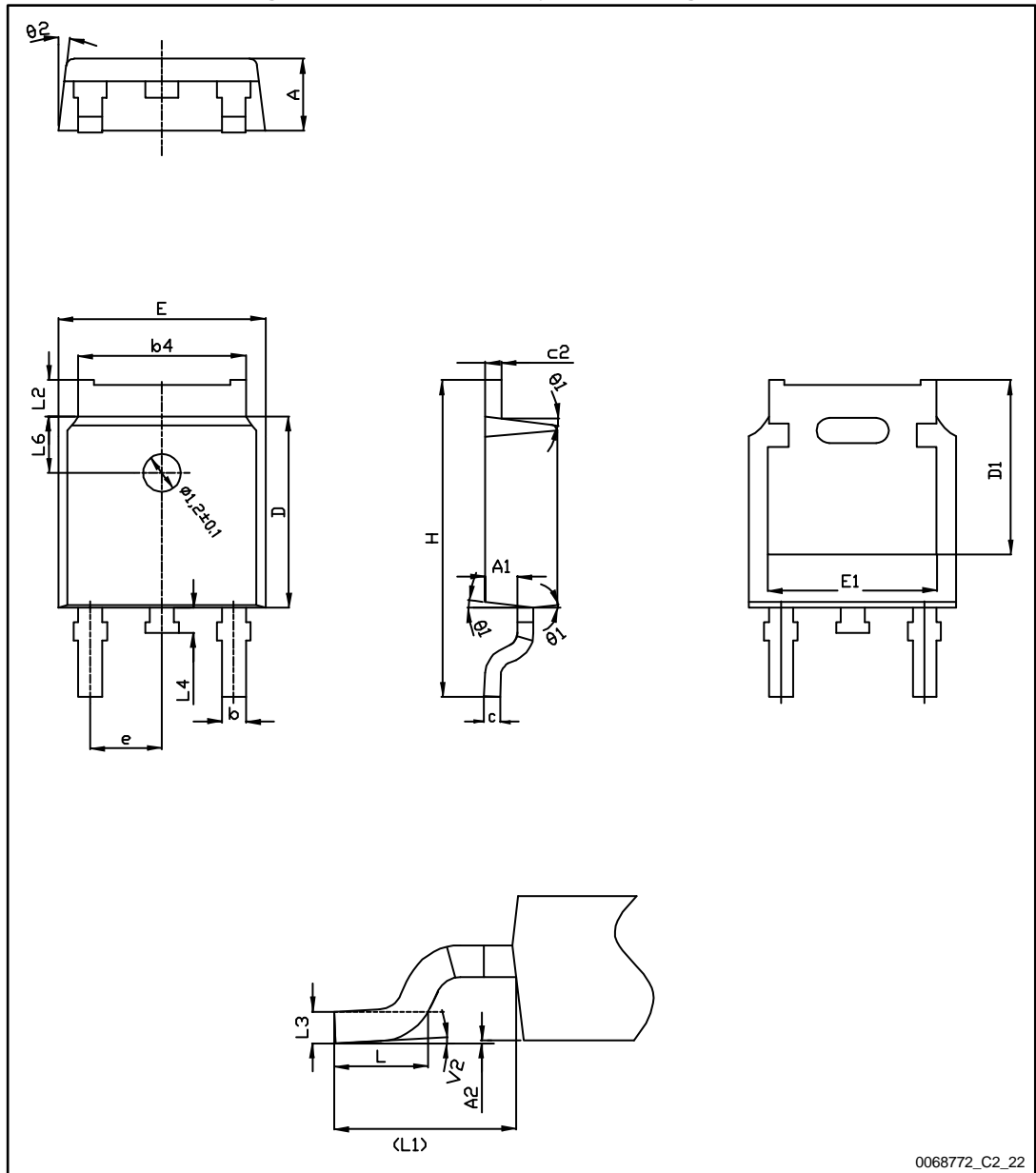
Dim.	mm		
	Min.	Typ.	Max.
A	2.20		2.40
A1	0.90		1.10
A2	0.03		0.23
b	0.64		0.90
b4	5.20		5.40
c	0.45		0.60
c2	0.48		0.60
D	6.00		6.20
D1	4.95	5.10	5.25
E	6.40		6.60
E1	5.10	5.20	5.30
e	2.16	2.28	2.40
e1	4.40		4.60
H	9.35		10.10
L	1.00		1.50
L1	2.60	2.80	3.00
L2	0.65	0.80	0.95
L4	0.60		1.00
R		0.20	
V2	0°		8°

Figure 24: DPAK (TO-252) type A2 recommended footprint (dimensions are in mm)



4.2 DPAK type C2 package information

Figure 25: DPAK (TO-252) type C2 package outline

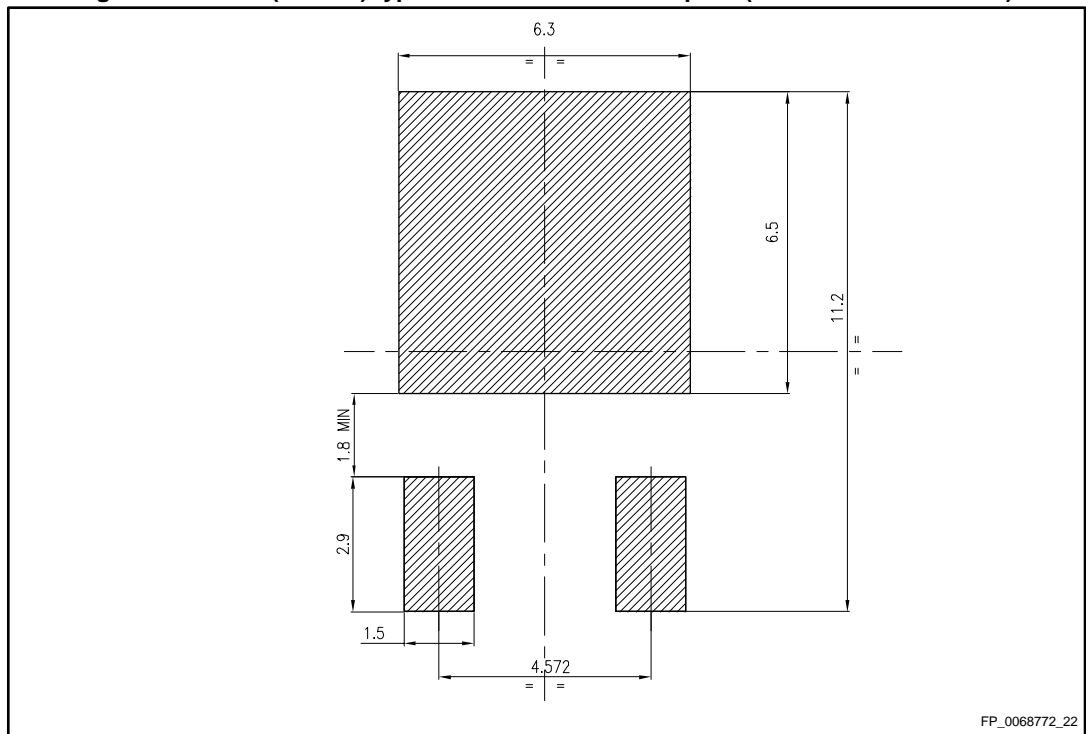


0068772_C2_22

Table 10: DPAK (TO-252) type C2 mechanical data

Dim.	mm		
	Min.	Typ.	Max.
A	2.20	2.30	2.38
A1	0.90	1.01	1.10
A2	0.00		0.10
b	0.72		0.85
b4	5.13	5.33	5.46
c	0.47		0.60
c2	0.47		0.60
D	6.00	6.10	6.20
D1	5.10		5.60
E	6.50	6.60	6.70
E1	5.20		5.50
e	2.186	2.286	2.386
H	9.80	10.10	10.40
L	1.40	1.50	1.70
L1	2.90 REF		
L2	0.90		1.25
L3	0.51 BSC		
L4	0.60	0.80	1.00
L6	1.80 BSC		
θ1	5°	7°	9°
θ2	5°	7°	9°
V2	0°		8°

Figure 26: DPAK (TO-252) type C2 recommended footprint (dimensions are in mm)



4.3 DPAK type E package information

Figure 27: DPAK (TO-252) type E package outline

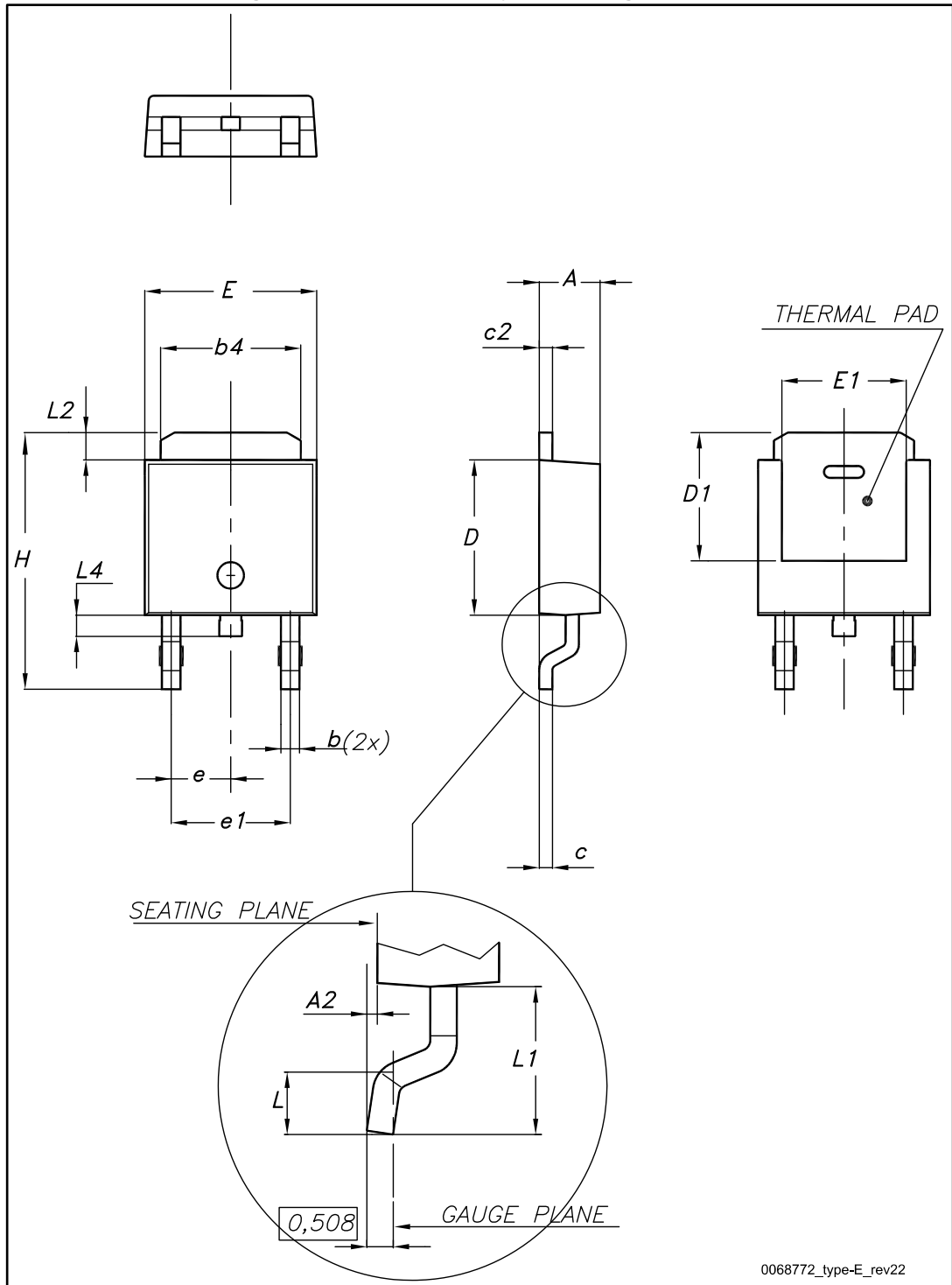
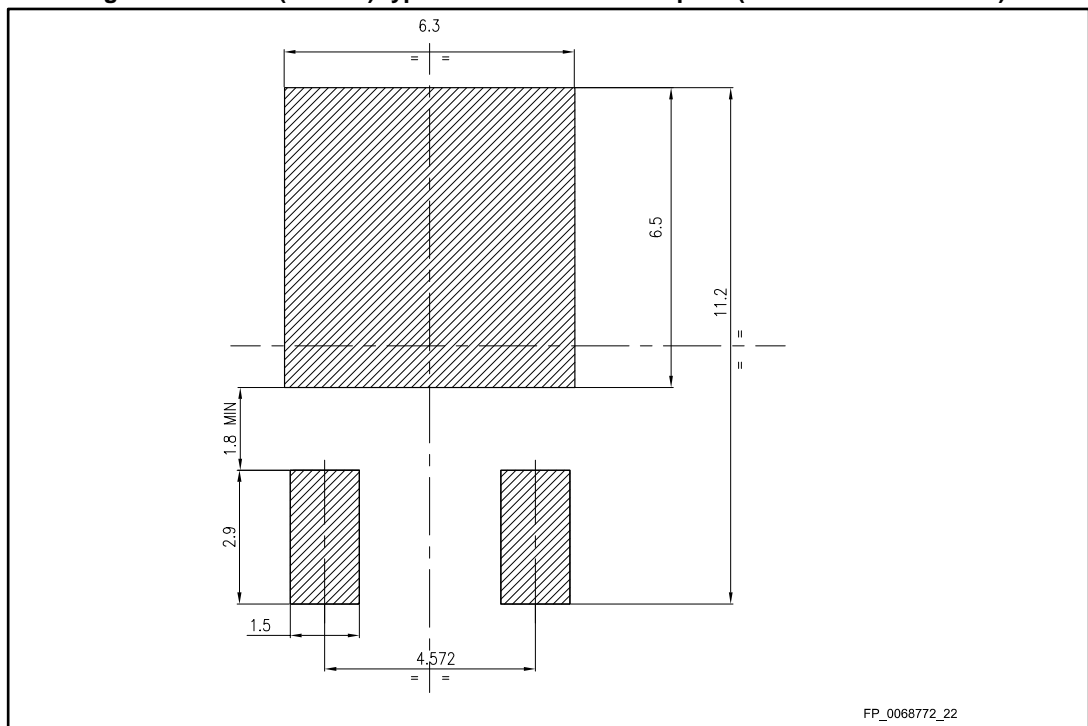


Table 11: DPAK (TO-252) type E mechanical data

Dim.	mm		
	Min.	Typ.	Max.
A	2.18		2.39
A2			0.13
b	0.65		0.884
b4	4.95		5.46
c	0.46		0.61
c2	0.46		0.60
D	5.97		6.22
D1	5.21		
E	6.35		6.73
E1	4.32		
e		2.286	
e1		4.572	
H	9.94		10.34
L	1.50		1.78
L1		2.74	
L2	0.89		1.27
L4			1.02

Figure 28: DPAK (TO-252) type E recommended footprint (dimensions are in mm)



4.4 TO-220 package information

Figure 29: TO-220 type A package outline

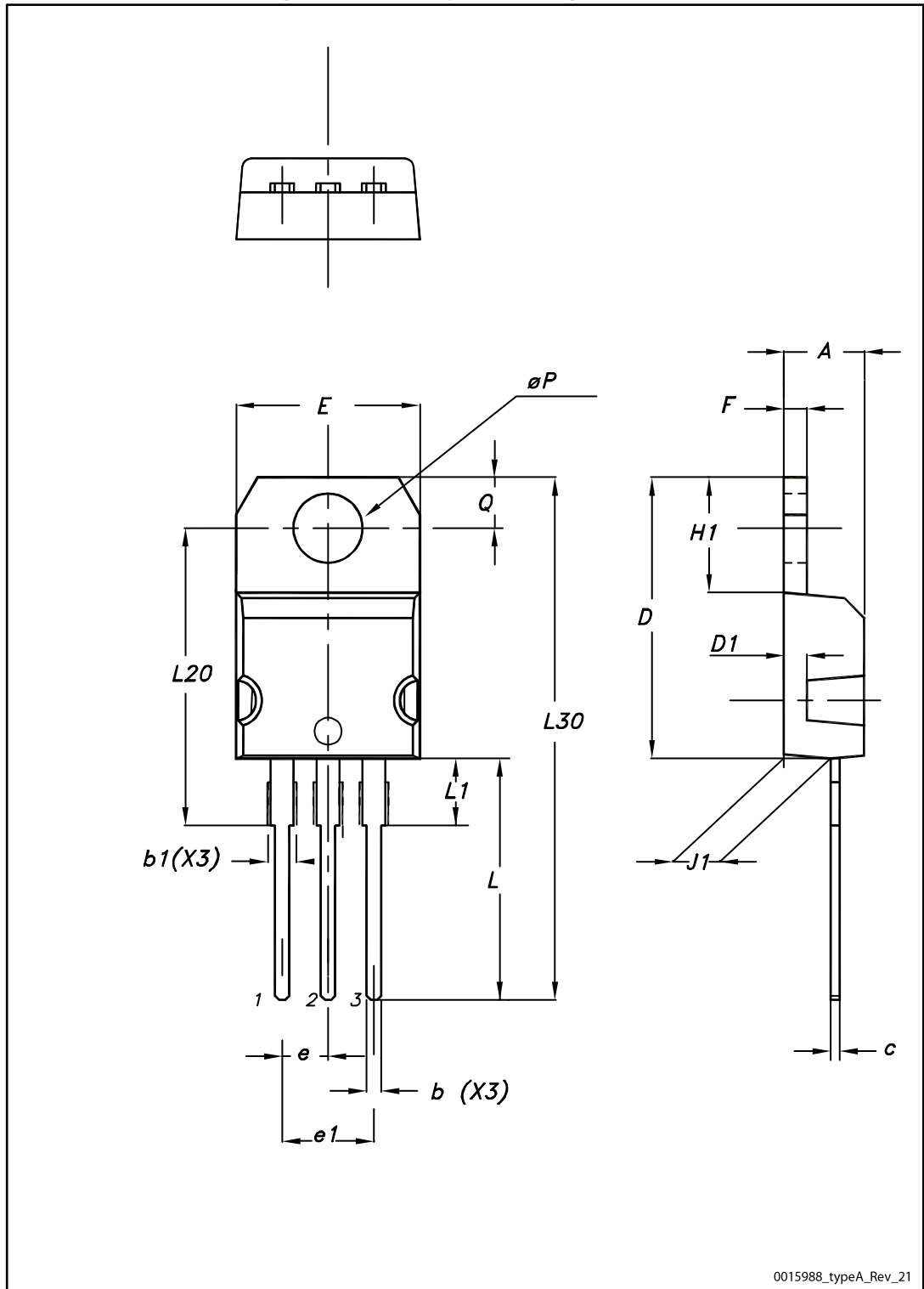


Table 12: TO-220 type A package mechanical data

Dim.	mm		
	Min.	Typ.	Max.
A	4.40		4.60
b	0.61		0.88
b1	1.14		1.55
c	0.48		0.70
D	15.25		15.75
D1		1.27	
E	10.00		10.40
e	2.40		2.70
e1	4.95		5.15
F	1.23		1.32
H1	6.20		6.60
J1	2.40		2.72
L	13.00		14.00
L1	3.50		3.93
L20		16.40	
L30		28.90	
øP	3.75		3.85
Q	2.65		2.95

4.5 IPAK type A package information

Figure 30: IPAK (TO-251) type A package outline

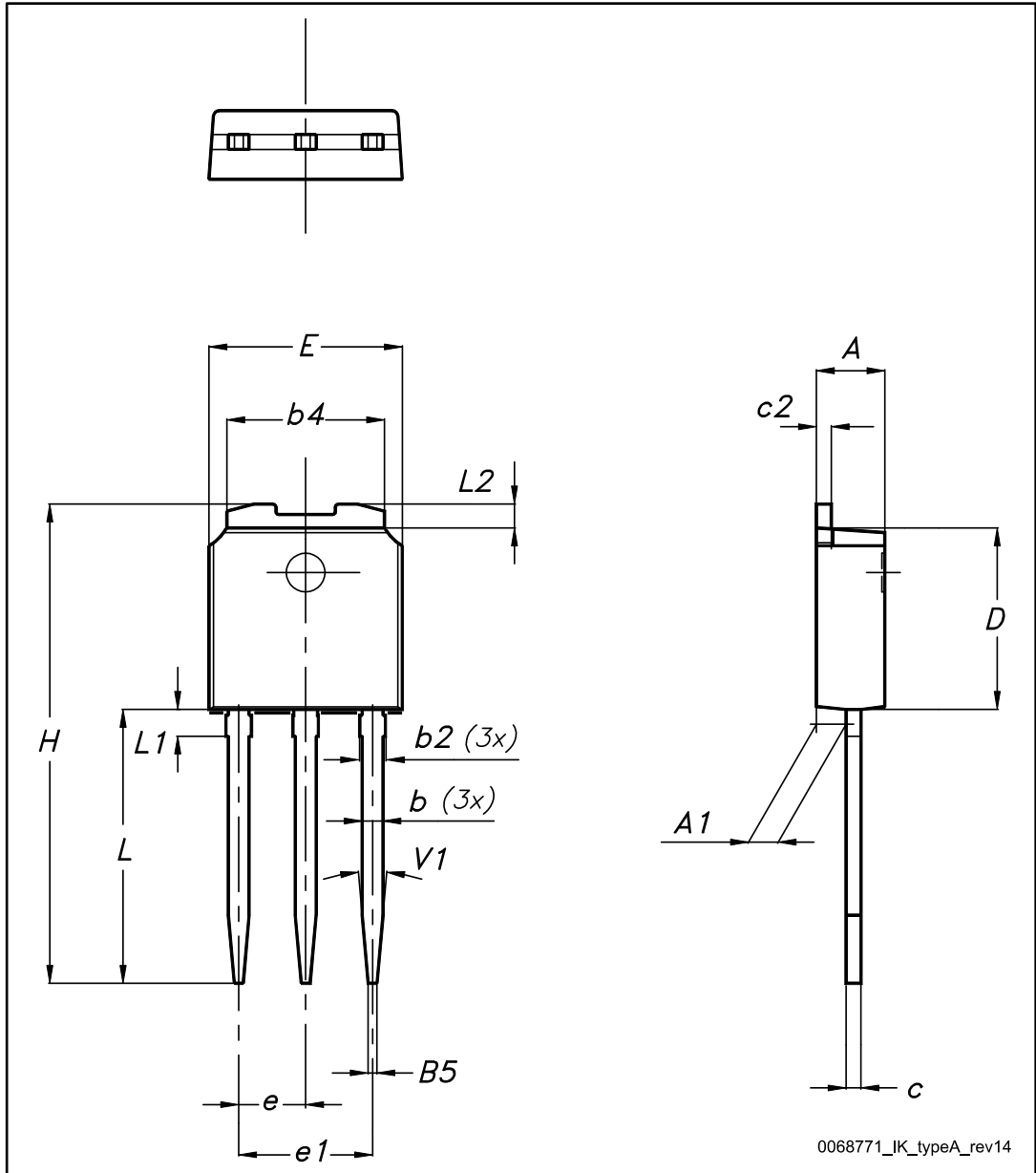
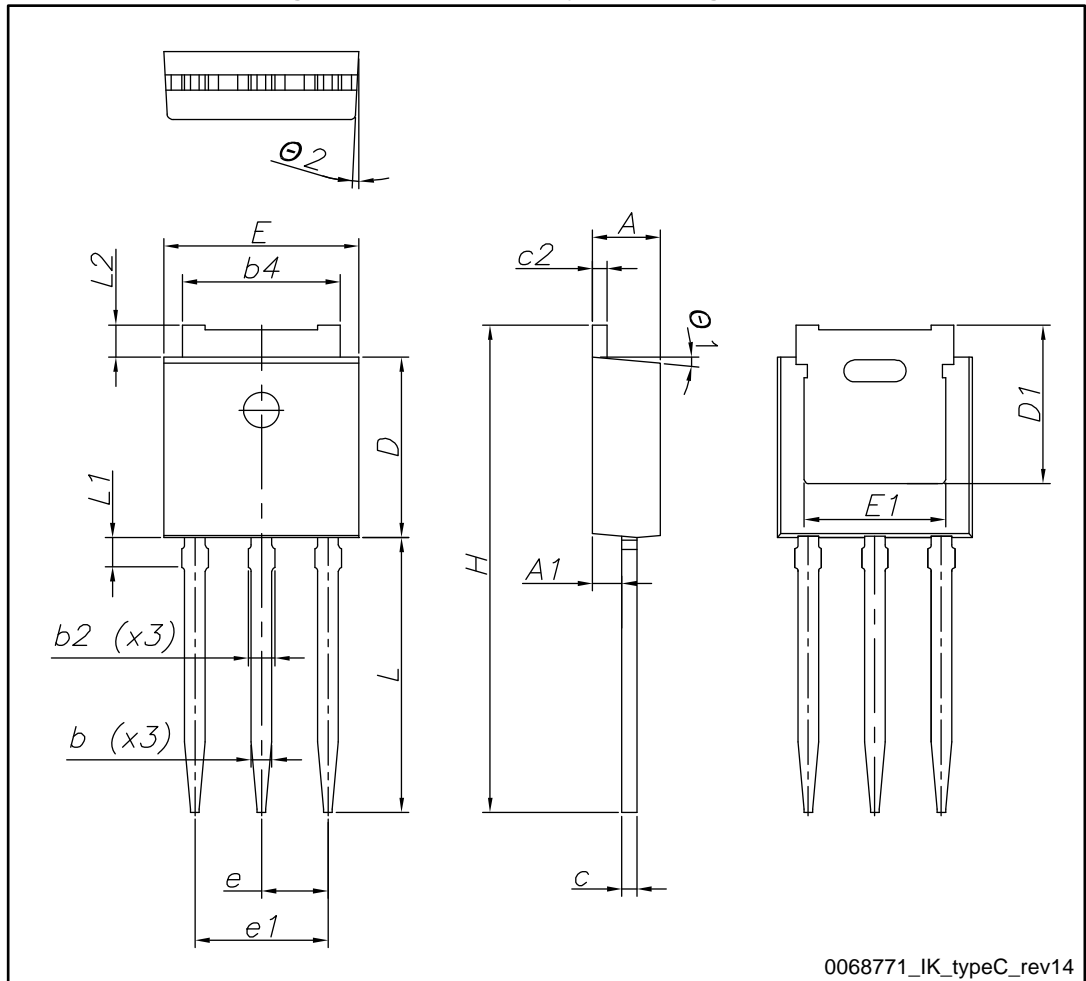


Table 13: IPAK (TO-251) type A package mechanical data

Dim.	mm		
	Min.	Typ.	Max.
A	2.20		2.40
A1	0.90		1.10
b	0.64		0.90
b2			0.95
b4	5.20		5.40
B5		0.30	
c	0.45		0.60
c2	0.48		0.60
D	6.00		6.20
E	6.40		6.60
e		2.28	
e1	4.40		4.60
H		16.10	
L	9.00		9.40
L1	0.80		1.20
L2		0.80	1.00
V1		10°	

4.6 IPAK type C package information

Figure 31: IPAK (TO-251) type C package outline



0068771_IK_typeC_rev14

Table 14: IPAK (TO-251) type C package mechanical data

Dim.	mm		
	Min.	Typ.	Max.
A	2.20	2.30	2.35
A1	0.90	1.00	1.10
b	0.66		0.79
b2			0.90
b4	5.23	5.33	5.43
c	0.46		0.59
c2	0.46		0.59
D	6.00	6.10	6.20
D1	5.20	5.37	5.55
E	6.50	6.60	6.70
E1	4.60	4.78	4.95
e	2.20	2.25	2.30
e1	4.40	4.50	4.60
H	16.18	16.48	16.78
L	9.00	9.30	9.60
L1	0.80	1.00	1.20
L2	0.90	1.08	1.25
θ1	3°	5°	7°
θ2	1°	3°	5°

5 Packing mechanical data

Figure 32: DPAK (TO-252) tape outline

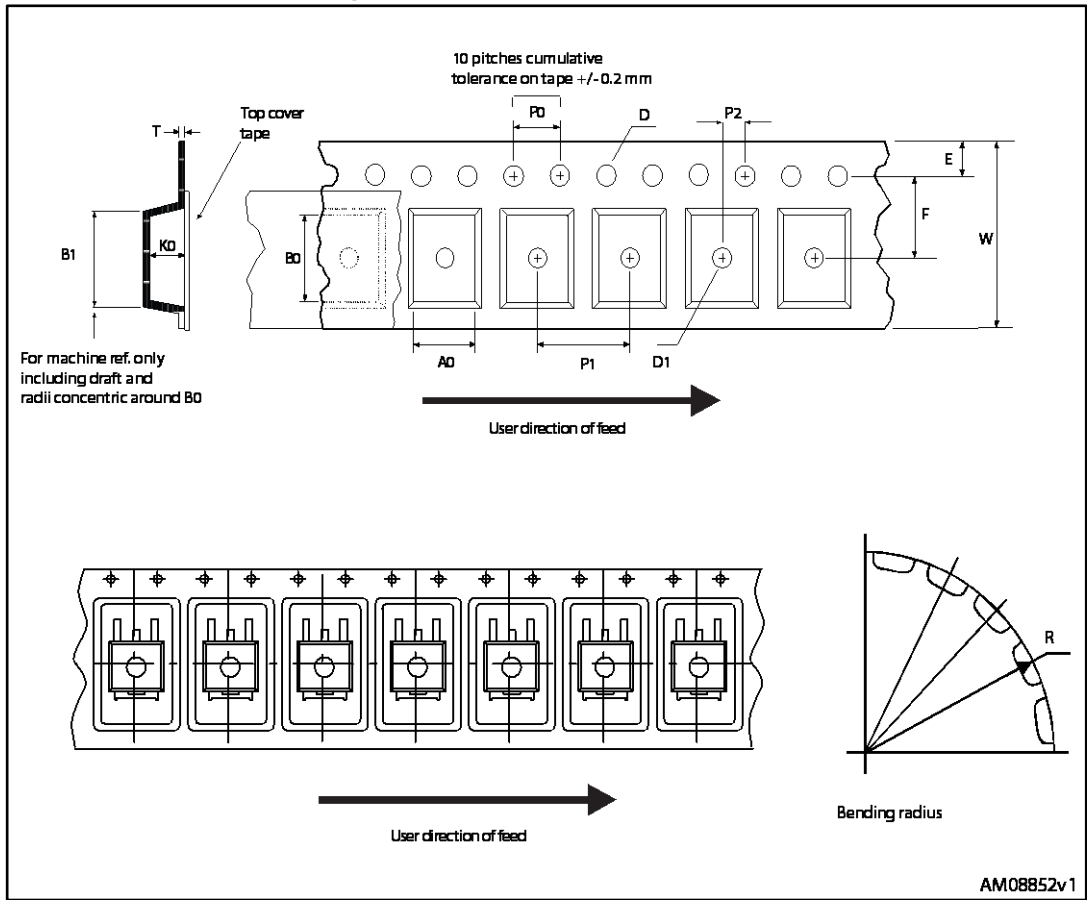
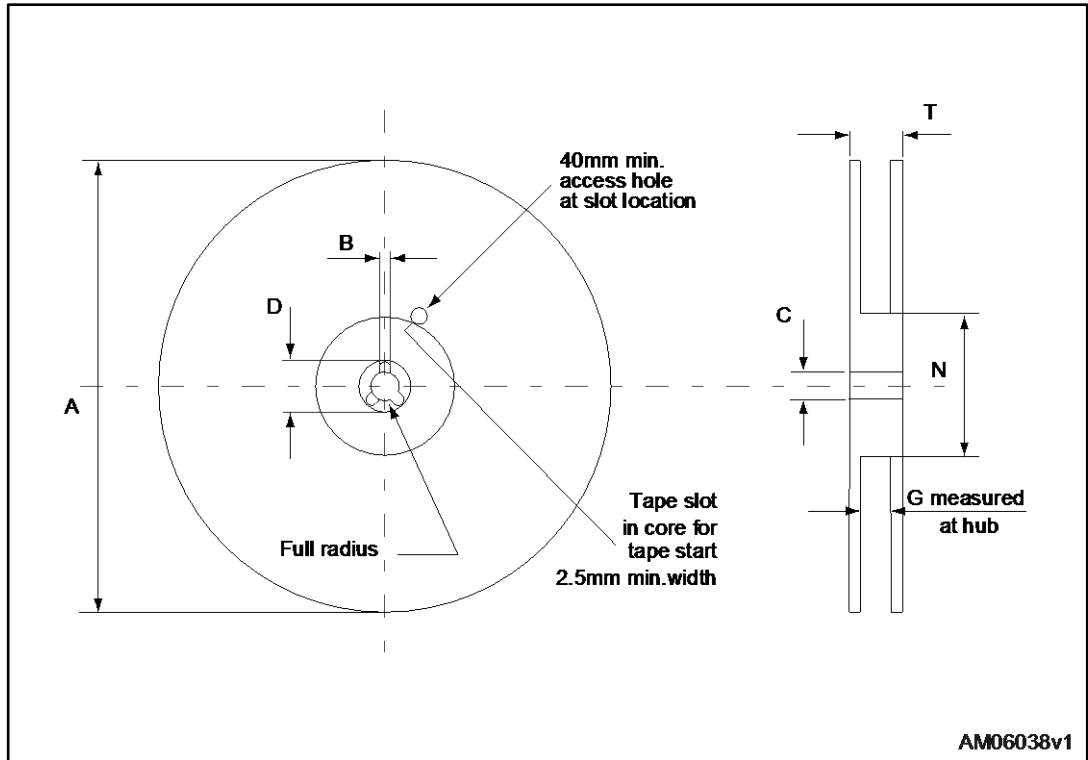


Figure 33: DPAK (TO-252) reel outline



AM06038v1

Table 15: DPAK (TO-252) tape and reel mechanical data

Tape			Reel		
Dim.	mm		Dim.	mm	
	Min.	Max.		Min.	Max.
A0	6.8	7	A		330
B0	10.4	10.6	B	1.5	
B1		12.1	C	12.8	13.2
D	1.5	1.6	D	20.2	
D1	1.5		G	16.4	18.4
E	1.65	1.85	N	50	
F	7.4	7.6	T		22.4
K0	2.55	2.75			
P0	3.9	4.1	Base qty.		2500
P1	7.9	8.1	Bulk qty.		2500
P2	1.9	2.1			
R	40				
T	0.25	0.35			
W	15.7	16.3			

6 Revision history

Table 16: Document revision history

Date	Revision	Changes
17-Jul-2012	1	First release.
17-Oct-2012	2	Minor text changes in cover page Modified: title and I _D value in cover page
19-Dec-2012	3	Minor text changes Added: IPAK package Updated: Section 4: Package mechanical data for IPAK
18-Mar-2013	4	Modified: I _{AR} value on Table 2 Updated: Section 4: Package mechanical data only for DPAK package
09-Oct-2013	5	The part number STF7N80K5 has been moved to a separate datasheet Minor text changes
19-May-2017	6	Updated title, description and features in cover page. Updated Table 2: "Absolute maximum ratings" and Table 4: "On/off states" . Updated Section 4: "Package information" . Minor text changes.

IMPORTANT NOTICE – PLEASE READ CAREFULLY

STMicroelectronics NV and its subsidiaries ("ST") reserve the right to make changes, corrections, enhancements, modifications, and improvements to ST products and/or to this document at any time without notice. Purchasers should obtain the latest relevant information on ST products before placing orders. ST products are sold pursuant to ST's terms and conditions of sale in place at the time of order acknowledgement.

Purchasers are solely responsible for the choice, selection, and use of ST products and ST assumes no liability for application assistance or the design of Purchasers' products.

No license, express or implied, to any intellectual property right is granted by ST herein.

Resale of ST products with provisions different from the information set forth herein shall void any warranty granted by ST for such product.

ST and the ST logo are trademarks of ST. All other product or service names are the property of their respective owners.

Information in this document supersedes and replaces information previously supplied in any prior versions of this document.

© 2017 STMicroelectronics – All rights reserved

Mouser Electronics

Authorized Distributor

Click to View Pricing, Inventory, Delivery & Lifecycle Information:

[STMicroelectronics:](#)

[STP7N80K5](#) [STD7N80K5](#) [STU7N80K5](#)