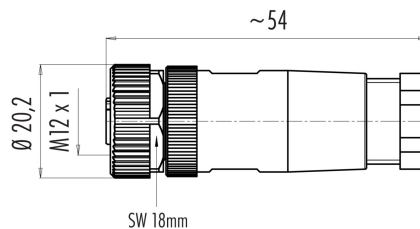


Product description	M12-A female cable connector, Contacts: 8, 6.0 - 8.0 mm, unshielded, screw clamp, IP67, UL, PG9
Area	M12-A series 713
Part no.	99 0486 12 08

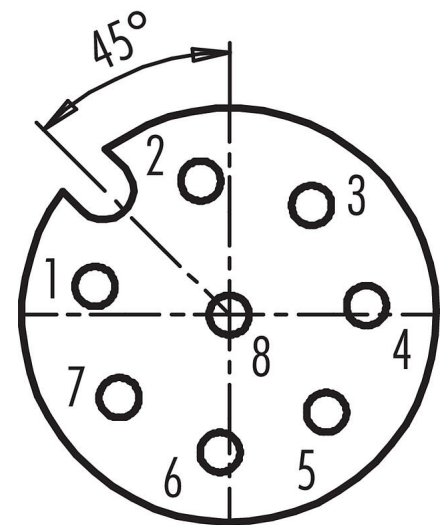
### Illustration



### Scale drawing



### Contact arrangement (Plug-in side)



You can find the component part drawing and assembly instructions on the next page.

### Technical data

#### General features

Part no.	99 0486 12 08
Connector design	female cable connector
Version	connector female straight
Connector locking system	screw
Termination	screw clamp
Degree of protection	IP67
Cross-sectional area	max. 0.50 mm <sup>2</sup> / max. AWG 20
Cable outlet	6.0 - 8.0 mm
Temperature range from/to	-40 °C / 85 °C
Mechanical operation	> 100 Mating cycles
Weight (g)	26.77
Customs tariff number	85369010

#### Electrical parameters

Rated voltage	30 V
Rated impulse voltage	800 V
Rated current (40 °C)	1.5 A (2 A UL)

# Product data sheet

## Automation technology - sensors and actuators



Product description	M12-A female cable connector, Contacts: 8, 6.0 - 8.0 mm, unshielded, screw clamp, IP67, UL, PG9
Area	M12-A series 713
Part no.	99 0486 12 08

Insulation resistance	> 10 <sup>8</sup> Ω
Pollution degree	3
Overvoltage category	II
Insulating material group	III
EMC compliance	unshielded

### Material

Housing material	PA
Contact body material	PA
Contact material	CuSn (bronze)
Contact plating	Au (gold)
REACH SVHC	CAS 96-45-7 (Imidazolidine-2-thione) CAS 7439-92-1 (Lead)
SCIP number	7022eb5f-4cf1-4259-83f2-38f840cfbed1

### Authorization/approvals

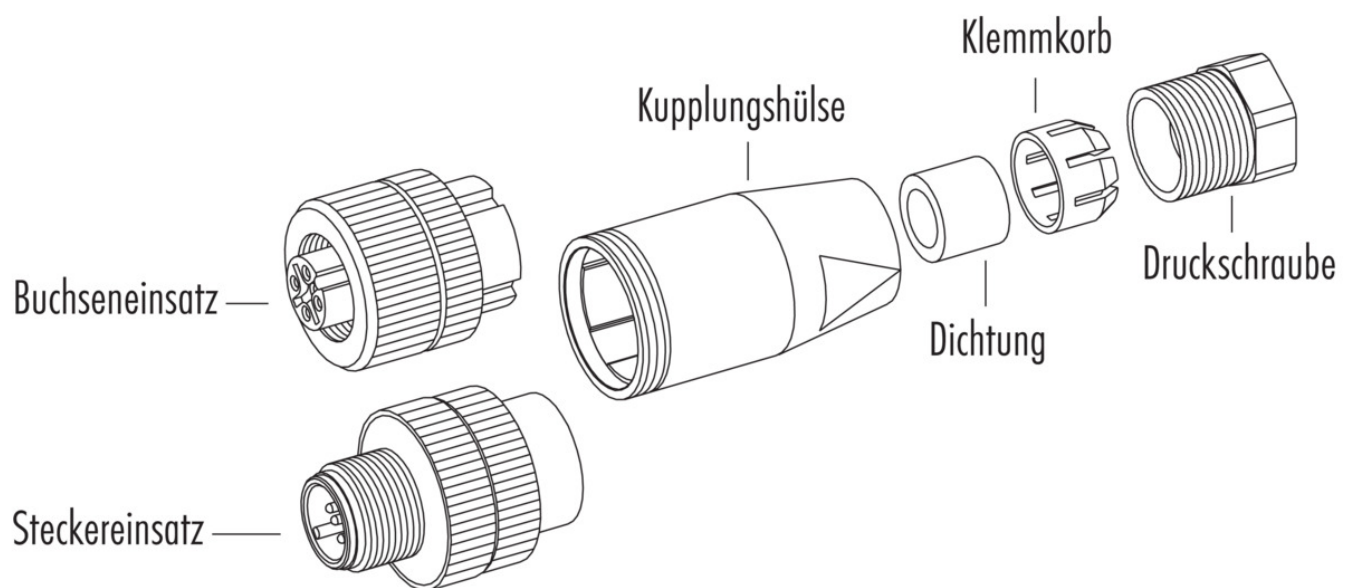
Approvals	UL
-----------	----

### Classifications

eCl@ss 11.1	27-44-01-02
ETIM 7.0	EC002635

Product description	M12-A female cable connector, Contacts: 8, 6.0 - 8.0 mm, unshielded, screw clamp, IP67, UL, PG9
Area	M12-A series 713
Part no.	99 0486 12 08

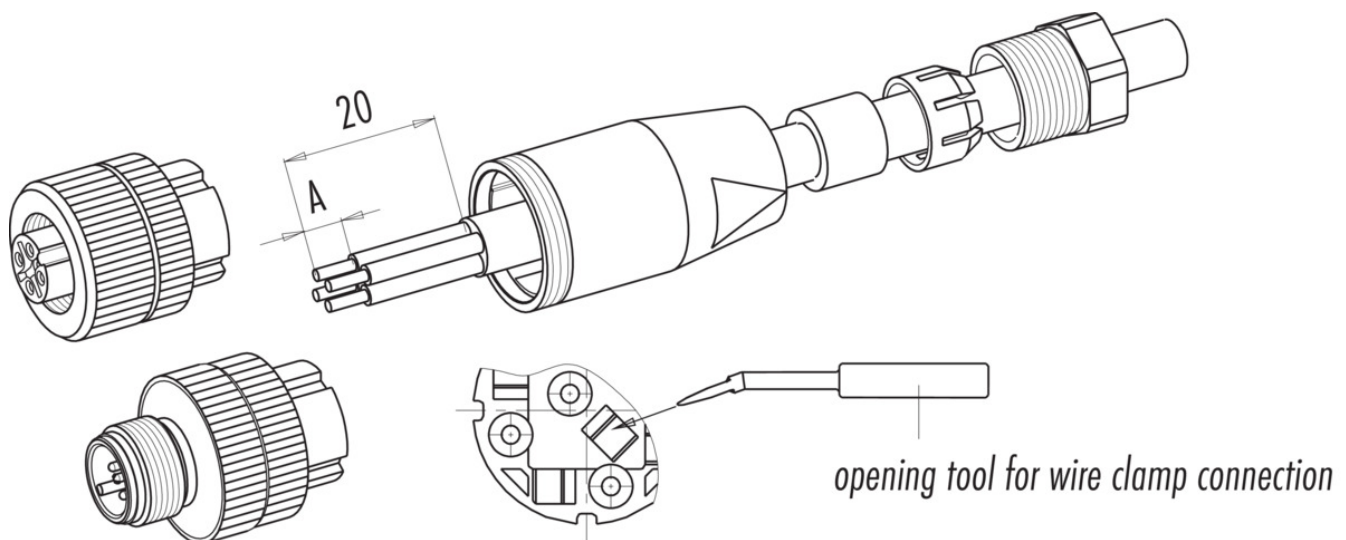
### Component part drawing



Material der Gewindinge: Kunststoff, Zink Druckguss, Edelstahl

Product description	M12-A female cable connector, Contacts: 8, 6.0 - 8.0 mm, unshielded, screw clamp, IP67, UL, PG9
Area	M12-A series 713
Part no.	99 0486 12 08

### Assembly instructions



	<i>screw connection</i>	<i>solder version</i>	<i>wire clamp connection</i>
<i>measure A/mm</i>	<b>5</b>	<b>3,5</b>	<b>7</b>

*material of locking rings: plastic, zinc diecast, stainless steel*

Product description	<b>M12-A female cable connector, Contacts: 8, 6.0 - 8.0 mm, unshielded, screw clamp, IP67, UL, PG9</b>
Area	<b>M12-A series 713</b>
Part no.	<b>99 0486 12 08</b>

### **Security notices**

The connectors have been developed for applications in plant engineering, control and electrical equipment construction. The user is responsible for checking whether the connectors can also be used in other areas of application.

Plug connectors with enclosure protection IP 67 and IP 68 are not suitable for use under water. When used outdoors, the plug connectors must be protected separately against corrosion. For further information on the IP protection classes, please refer to the "Technical Information" download centre.

To lock the cable connector with the device connector, the threaded ring is tightened "hand-tight" (approx. 60 cNm).