

Miniature Toggle Switches

Specifications:

Contact rating:	250 V AC, 3 A / 125 V AC, 6 A 30 V DC, 4 A / 12 V DC, 5 A 6 V DC, 6 A
Contact resistance:	< 10 mΩ
Insulation resistance:	> 1000 MΩ at 500 V DC
Dielectric strength:	1500 V, 50 Hz for the duration of 1 minute
Operating temperature:	- 20° to + 80° C
Mechanical life:	minimum 100 000 operations
Contacts:	coin silver (common contact copper alloy, silver-plated)
Terminals:	solder tags, copper alloy silver-plated further terminal versions see page 8
Material:	case: diallyle-phthalate meets UL 94 V-0, green lever: chromium-plated, metal parts: nickel-plated
Mounting:	bushing M 6 x 0,75 with locking plate, key 9 mm
Soldering conditions:	hand-soldering – max.: 60 W, 3 sec, 350° C auto-soldering – max.: 5 sec, 270° C

Accessories: Order number:

Knurled nut, chromium-plated

M 6 x 0,75, Ø 8 mm

R 675



Plastic caps (height 11,5 mm)

orange	C 1103
blue	C 1104
black	C 1105
green	C 1106
grey	C 1107
yellow	C 1108
red	C 1109
white	C 1110



Waterproof sealing caps (height 14,3 mm)

black

ET 102

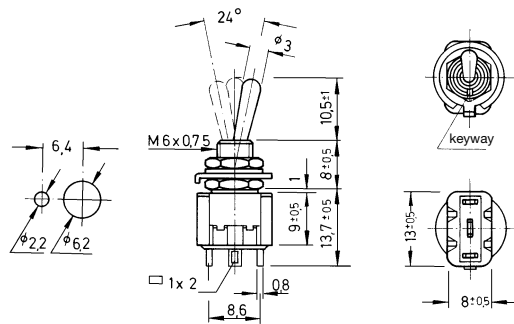


Miniature Toggle Switches

Models: Switching functions

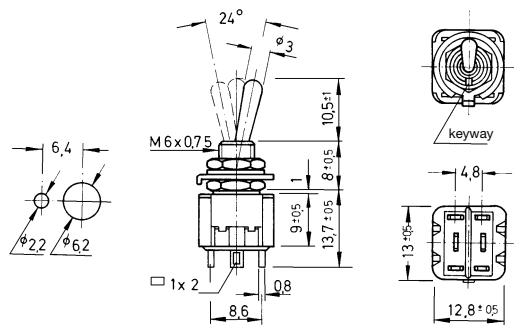
S P D T

STA 106 D	on	-	on
STA 106 E	on	off	on
STA 106 F	mom	-	on
STA 106 G	mom	off	mom
STA 106 H	mom	off	on



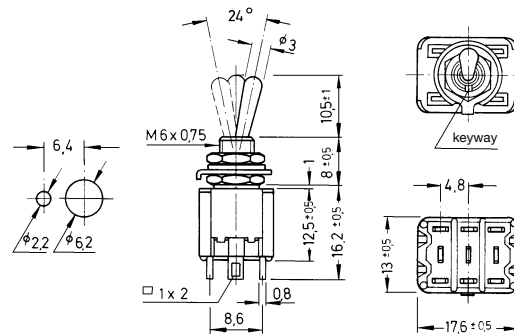
D P D T

STA 206 N	on	-	on
STA 206 P	on	off	on
STA 206 R	mom	-	on
STA 206 S	mom	off	mom
STA 206 T	mom	off	on
STA 206 PA	on	on	on
STA 206 SA	mom	on	mom
STA 206 TA	mom	on	on



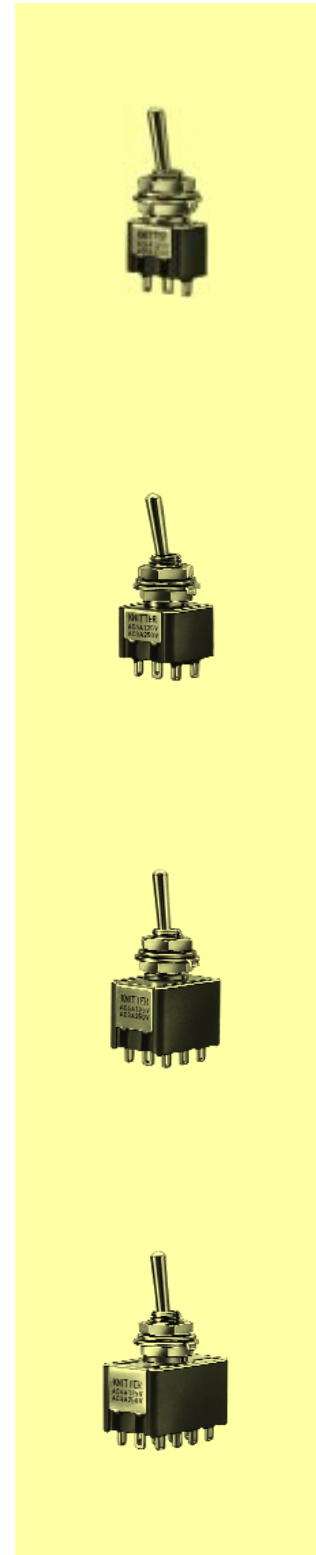
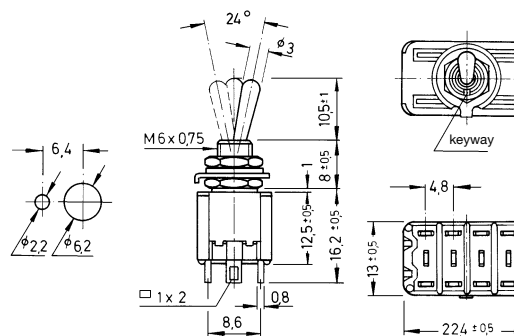
3 P D T

STA 306 D	on	-	on
STA 306 E	on	off	on



4 P D T

STA 406 N	on	-	on
STA 406 P	on	off	on
STA 406 PA	on	on	on



Miniature Toggle Switches



Specifications:

Contact rating:	250 V AC, 3 A / 125 V AC, 6 A 30 V DC, 4 A / 12 V DC, 5 A 6 V DC, 6 A
Contact resistance:	< 10 mΩ
Insulation resistance:	> 1000 MΩ at 500 V DC
Dielectric strength:	1500 V, 50 Hz for the duration of 1 minute
Operating temperature:	- 45° to + 140° C
Mechanical life:	minimum 300 000 operations
Contacts:	coin silver (common contact copper alloy, silver-plated) also available gold-plated, version B and G (see page 4)
Terminals:	solder tags, copper alloy silver-plated further terminal versions see page 8
Material:	case: diallyle-phthalate, meets UL 94 V-0, black lever: chromium-plated, metal parts: nickel-plated
Mounting:	bushing M 6 x 0,75 with locking plate, key 9 mm
Soldering conditions:	hand-soldering – max.: 60 W, 3 sec, 420° C auto-soldering – max.: 5 sec, 270° C

Accessories:

Knurled nut, chromium-plated
M 6 x 0,75, Ø 8 mm R 675



Plastic caps (height 11,5 mm)

orange	C 1103
blue	C 1104
black	C 1105
green	C 1106
grey	C 1107
yellow	C 1108
red	C 1109
white	C 1110



Waterproof sealing caps (length 14,3 mm)

black ET 102

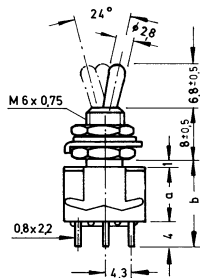


Waterproof sealing cap with mounting screw

Special levers:

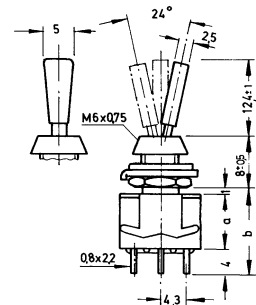
Miniature toggle switches
with short lever

Series MTM



Miniature toggle switches
with flat lever and
special decorative nut

Series MTF





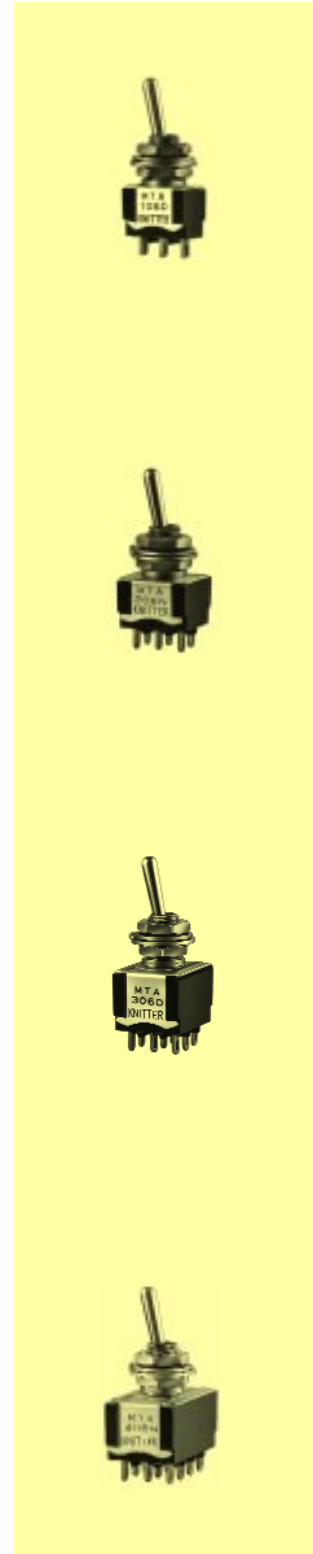
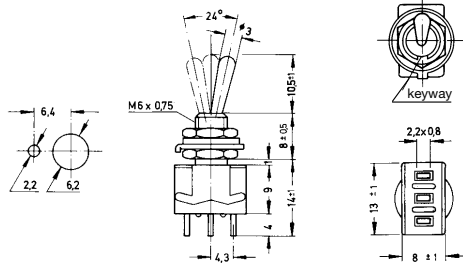
Miniature Toggle Switches

Models: Switching functions

SPDT



MTA 106 D	on	-	on
MTA 106 E	on	off	on
MTA 106 F	mom	-	on
MTA 106 G	mom	off	mom
MTA 106 H	mom	off	on



2

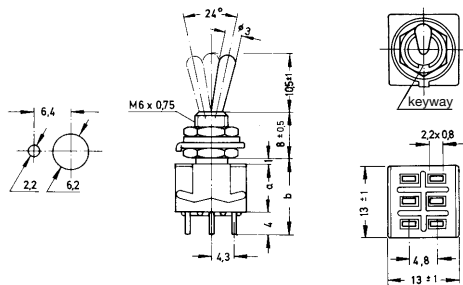
DPDT

MTA 206 N	on	-	on
MTA 206 P	on	off	on
MTA 206 R	mom	-	on
MTA 206 S	mom	off	mom
MTA 206 T	mom	off	on

measures: a = 9, b = 14 ± 1

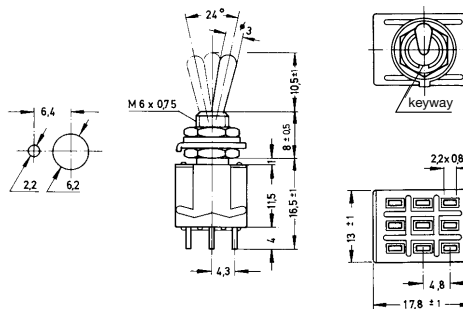
MTA 206 PA	on	on	on
MTA 206 SA	mom	on	mom
MTA 206 TA	mom	on	on

measures: a = 11,5, b = 16,5 ± 1



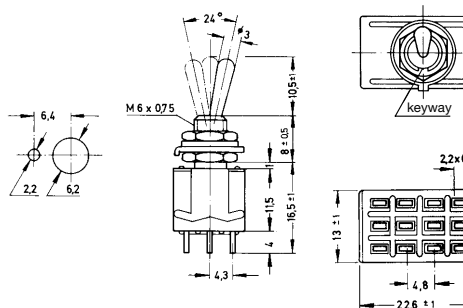
3PDT

MTA 306 D	on	-	on
MTA 306 E	on	off	on
MTA 306 F	mom	-	on
MTA 306 G	mom	off	mom
MTA 306 H	mom	off	on
MTA 306 EA*	on	on	on



4PDT

MTA 406 N	on	-	on
MTA 406 P	on	off	on
MTA 406 R	mom	-	on
MTA 406 S	mom	off	mom
MTA 406 T	mom	off	on
MTA 406 PA	on	on	on
MTA 406 SA	mom	on	mom
MTA 406 TA	mom	on	on



* Non-stock item; minimum quantity and delivery time on request.