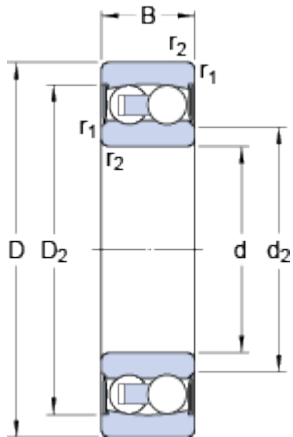


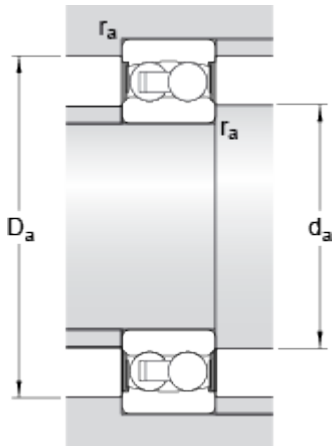
2201 E-2RS1TN9

Dimensions



d		12	mm
D		32	mm
B		14	mm
d ₂	≈	15.5	mm
D ₂	≈	27.34	mm
r _{1,2}	min.	0.6	mm

Abutment dimensions



d _a	min.	15.5	mm
d _a	max.	15.5	mm
D _a	max.	27.8	mm
r _a	max.	0.6	mm

Calculation data

Basic dynamic load rating	C	6.2	kN
Basic static load rating	C ₀	1.4	kN
Fatigue load limit	P _u	0.08	kN
Limiting speed		16000	r/min
Calculation factor	k _r	0.045	
Calculation factor	e	0.33	
Calculation factor	Y ₀	2	
Calculation factor	Y ₁	1.9	
Calculation factor	Y ₂	3	

Mass

Mass bearing	0.053	kg
--------------	-------	----