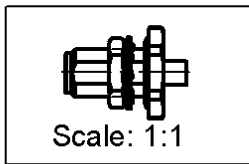
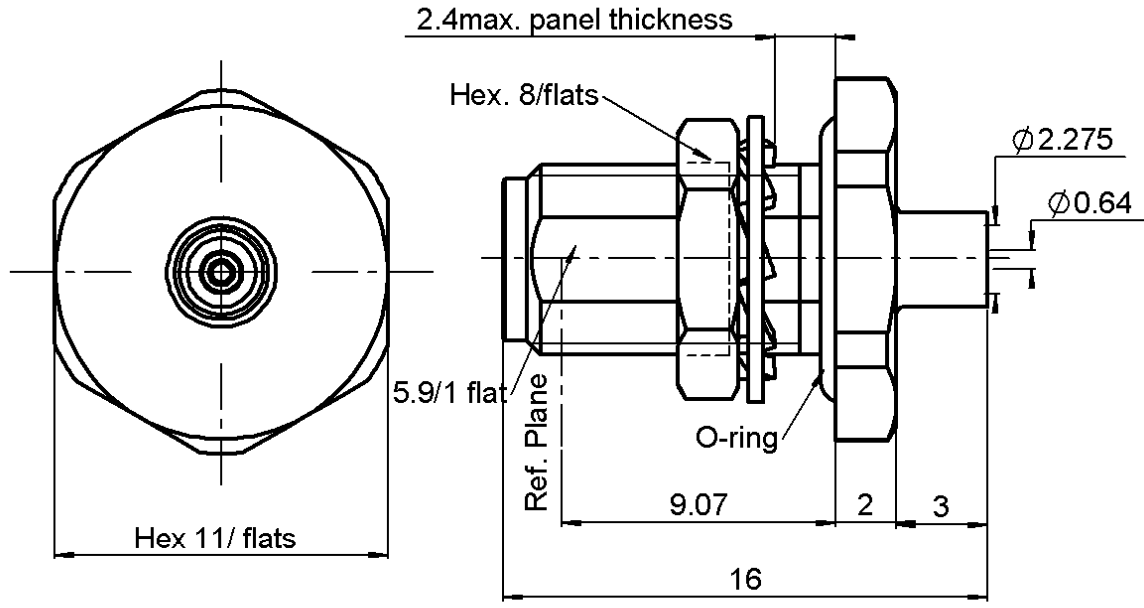


**STRAIGHT BULKHEAD JACK PANEL SEAL**

**R125.326.000**

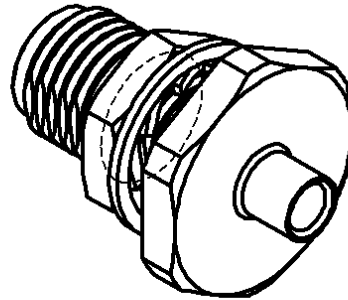
**SOLDER TYPE-CABLE .085**

Series : SMA

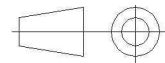


PANEL CUT OUT

mm		
	Maxi	mini
A	6.5	6.4
B	6.15	6



All dimensions are in mm.



COMPONENTS	MATERIALS	PLATING ( $\mu\text{m}$ )
BODY	STAINLESS STEEL	GOLD 0.5 OVER NICKEL 2
CENTER CONTACT	BERYLLIUM COPPER	GOLD 1.3 OVER NICKEL 2
OUTER CONTACT	-	-
INSULATOR	PTFE	-
GASKET	SILICONE RUBBER	-
OTHERS PARTS	BRASS	GOLD 0.2 OVER NICKEL 2
-	-	-
-	-	-

Issue : 0820 E

In the effort to improve our products, we reserve the right to make changes judged to be necessary.



**STRAIGHT BULKHEAD JACK PANEL SEAL**

**R125.326.000**

**SOLDER TYPE-CABLE .085**

Series : SMA

**PACKAGING**

Standard	Unit	Other
<b>100</b>	<b>'W' option</b>	<b>Contact us</b>

**SPECIFICATION**

**CABLE ASSEMBLY**

**ELECTRICAL CHARACTERISTICS**

Stripping	a	b	c	d	e	f
mm	3,17	0,00	0,00	0,00	0,00	0,00

Impedance	<b>50</b>	$\Omega$
Frequency	<b>0-18</b>	GHz
VSWR	<b>1.07 + 0,0080</b>	x F(GHz) Maxi
Insertion loss	<b>0.03</b>	$\sqrt{F}$ (GHz) dB Maxi
RF leakage	- ( <b>90</b> )	- F(GHz)) dB Maxi
Voltage rating	<b>335</b>	Veff Maxi
Dielectric withstanding voltage	<b>750</b>	Veff mini
Insulation resistance	<b>5000</b>	M $\Omega$ mini

Assembly instruction : **Solder 01**

Recommended cable(s)

RG 405

KS 1

Characteristics indicated on this data sheet are those that can be achieved with the highest performance cable. Intrinsic limitations of the cable may diminish the performance of the assembly

Cable retention

- pull off **130** N mini  
 - torque **NA** N.cm

**MECHANICAL CHARACTERISTICS**

**TOOLING**

Center contact retention	
Axial force – Mating end	<b>NA</b> N mini
Axial force – Opposite end	<b>NA</b> N mini
Torque	<b>NA</b> N.cm mini

Part Number	Description	Hexagon
.	.	.
R282.744.010	SOLDERING POSITIONER (BODY)	
R282.051.000	STRIPPING TOOL	
R282.063.000	POINTER GAUGE	
R282.120.010	SMA TOOLBOX	
R282.730.043	INSULATOR MOUNTING TOOL	
R282.740.000	SOLDERING MOUNTING	
R282.744.220	SOLDERING POSITIONER (CENTER CONTACT)	
R282.862.060	CONTROL GAUGE	POSITION 61
R282.914.010	DIELETRIC RECESS GAUGE	
R282.915.010	DIELECTRIC RECESS TOOL	

Recommended torque	
Mating	<b>NA</b> N.cm
Panel nut	<b>150</b> N.cm
Clamp nut	<b>NA</b> N.cm
A/F clamp nut	<b>0,0000</b> mm

Mating life	<b>500</b> Cycles mini
Weight	<b>3,5890</b> g

**ENVIRONMENTAL**

**OTHER CHARACTERISTICS**

Operating temperature	<b>-65/+105</b> °C
Hermetic seal	Atm.cm3/s
Panel leakage	

Issue : 0820 E

In the effort to improve our products, we reserve the right to make changes judged to be necessary.



# Mouser Electronics

Authorized Distributor

Click to View Pricing, Inventory, Delivery & Lifecycle Information:

Radial:

[R125326000](#) [R125326000W](#)