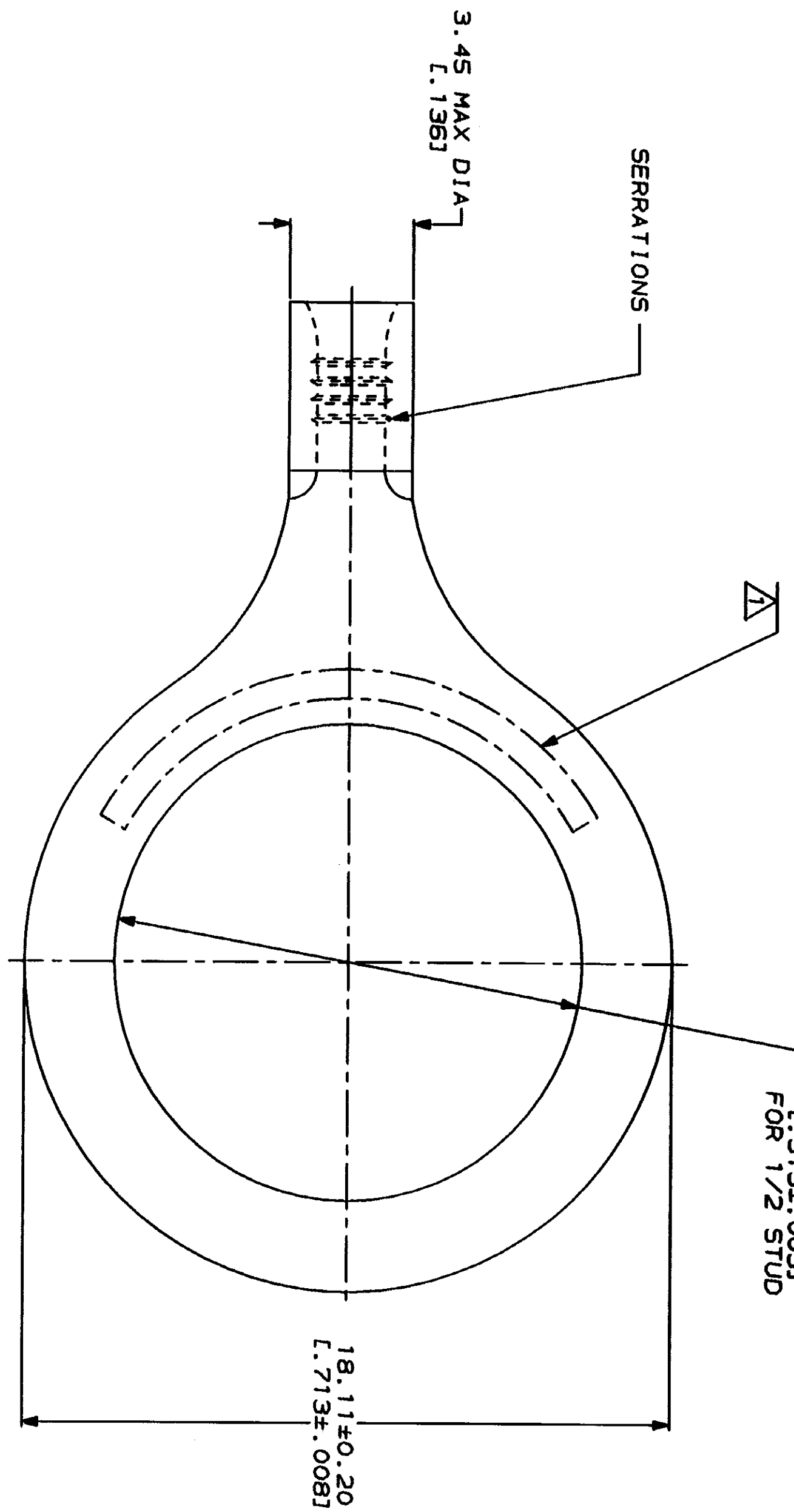


LOG	DIST	ZONE	LTH	DESCRIPTION	DATE	APPD
G	14			REVISED PER 0720-0230-93		

METRIC
DIMENSIONS LISTED IN mm [INCHES]

AMP WIRE RANGE 22-16 AWG STRAINED	UL E13288 Listed
22-16 AWG STRAINED	MILITARY P/N AND CLASS
NOT CERTIFIED	NOT APPLICABLE

STAMP AMP 22-18* APPROX AS SHOWN
22-16 TERMINALS ARE STAMPED 22-18 IN
ACCORDANCE WITH MILITARY SPECIFICATION
MIL-T-7928, COMMERCIAL WIRE RANGE IS 22-16



AMP INCORPORATED
CUSTOMER SERVICE SYSTEMS

FOR ADDITIONAL PRODUCT INFORMATION OR COPIES OF DRAWINGS AND TECHNICAL DOCUMENTS	PRODUCT INFORMATION CENTER 1-800-522-6752	MAX RECOMMENDED OPERATING TEMPERATURE: 170°C MAX	DO NOT SCALE PRINT. UNLESS SPECIFIED DIMENSIONS IN INCHES—TOLERANCES ON: 2 PLC DEC # 3 PLC DEC # ANGLES
FOR APPLICATION TOOLING INFORMATION	TOOLING ASSISTANCE CENTER 1-800-722-1111	VOLTAGE RATING: NOT APPLICABLE	MATERIAL COPPER PER ASTM B-152 ANNEALED
FOR ORDER ENTRY	1-800-526-5142	WIRE CROSS SECTIONAL AREA RANGE: 0.26-1.65mm ² [509-3,260] CIR MILS STRAINED	FINISH TIN PLATE 0.00254 [L.000100] MIN THK PER MIL-T-10727

DR 2-4-93 TA BRINKMAN	NAME AMP AMP Incorporated Harrisburg, PA 17105-3508
CHK 2-4-93 DA PATTERSON	TERMINAL, RING TONGUE, BUDGET
APPD 2-4-93 DE MILLER	SIZE CAGE CODE 00779 DRAWING NO C-328970
APPD 2-4-93 JL MCKELEY	SCALE 8:1
PRODUCT SPEC	SHEET 1 OF 1
APPLICATION SPEC	

CUSTOMER DRAWING

Mouser Electronics

Authorized Distributor

Click to View Pricing, Inventory, Delivery & Lifecycle Information:

[TE Connectivity:](#)

[328970](#)