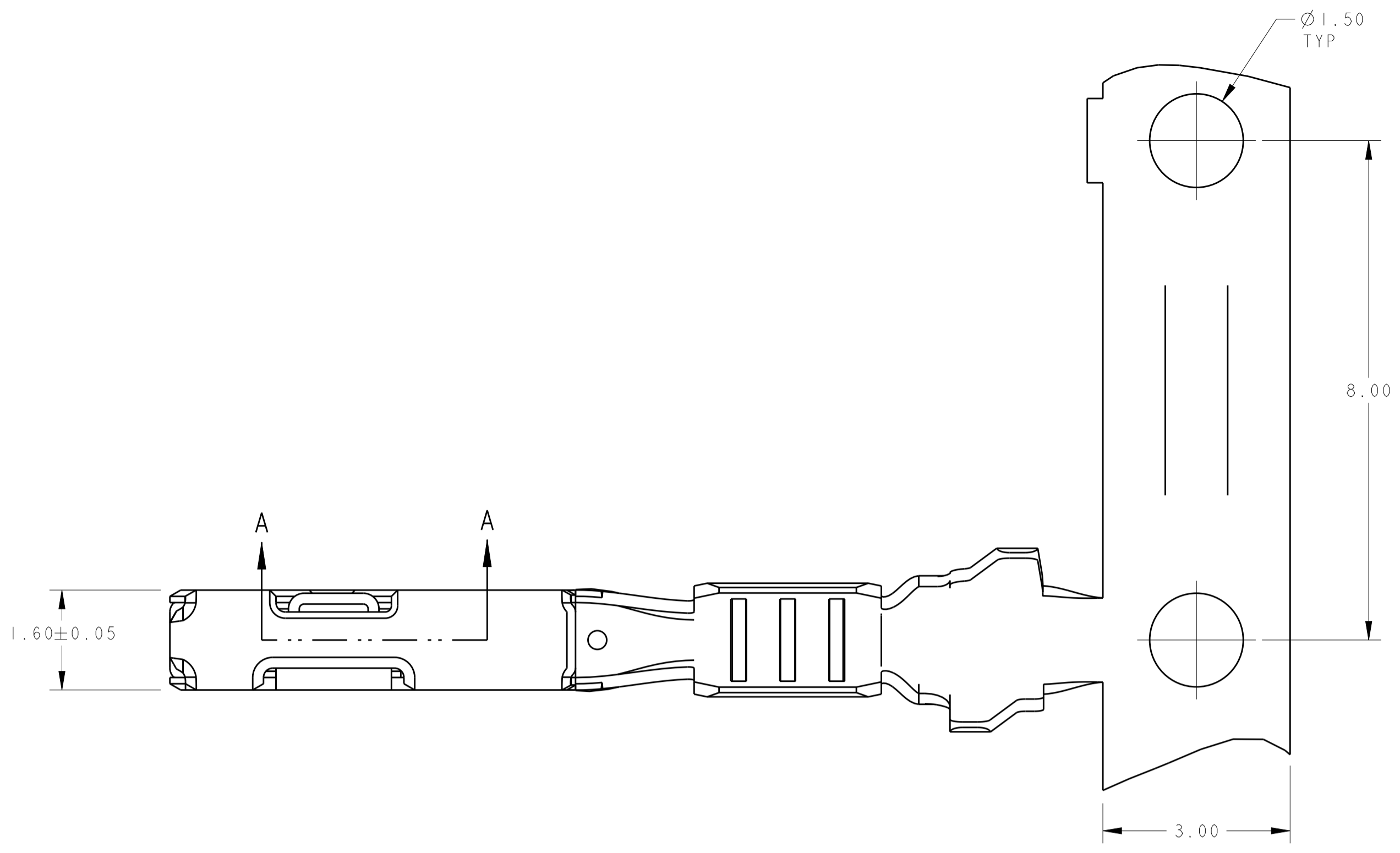
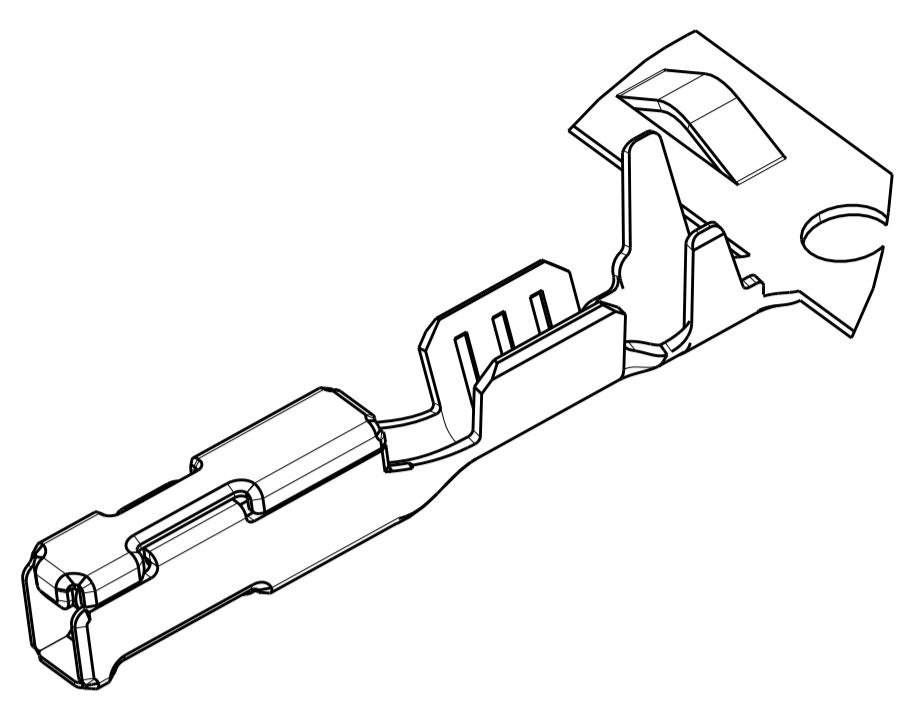
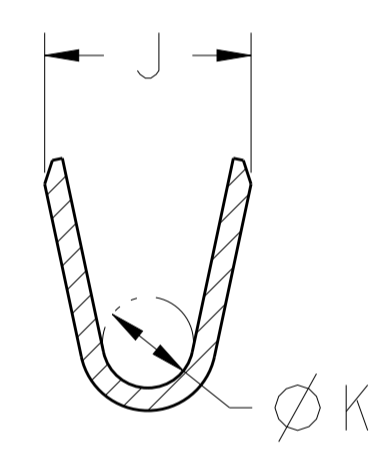
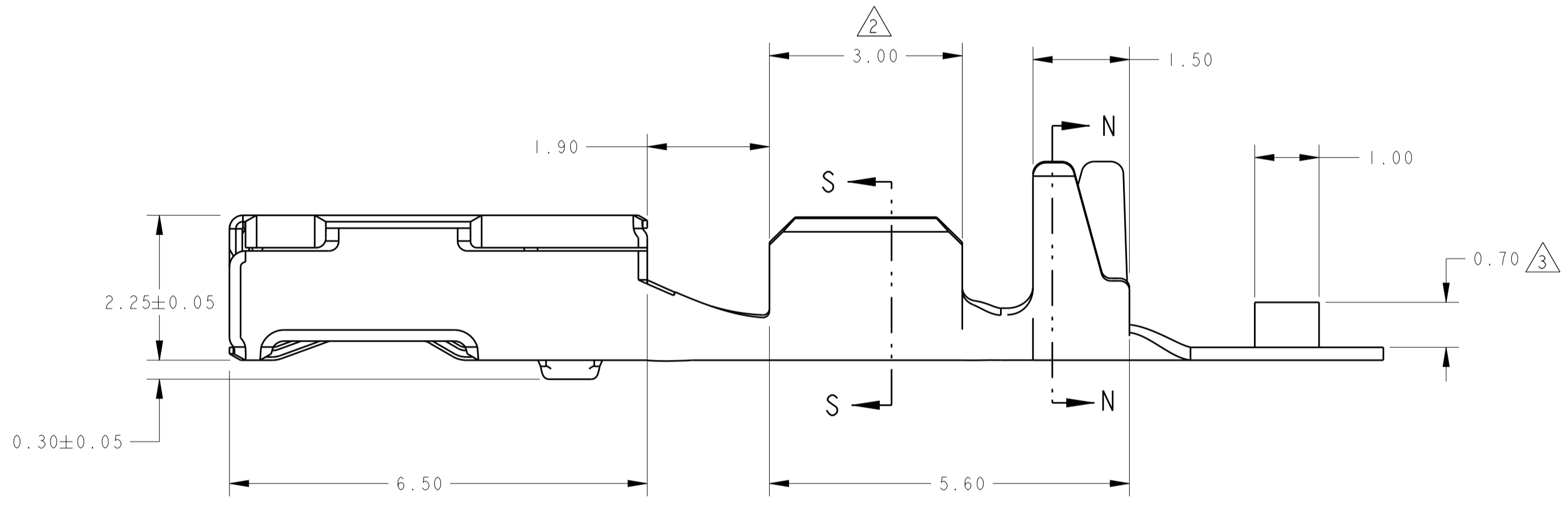
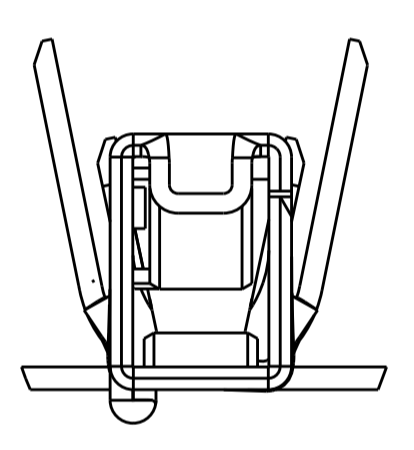


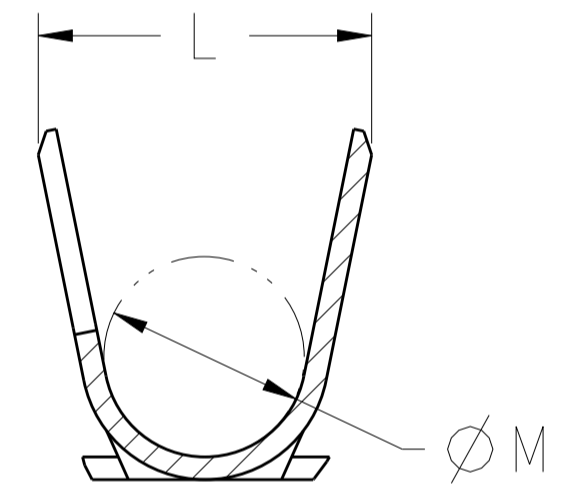
REVISIONS				
P.	LTN	DESCRIPTION	DATE	APP'D
D		REVISED PER ECO-16-006930	17MAY2016	DLD CJS
E		REVISED PER ECO-16-016441	17NOV2016	DLD CJS
E1		REVISED PER ECO-17-000350	18JAN2017	DLD CJS
E2		REVISED PER ECO-19-013076	09SEP2019	JMS CS



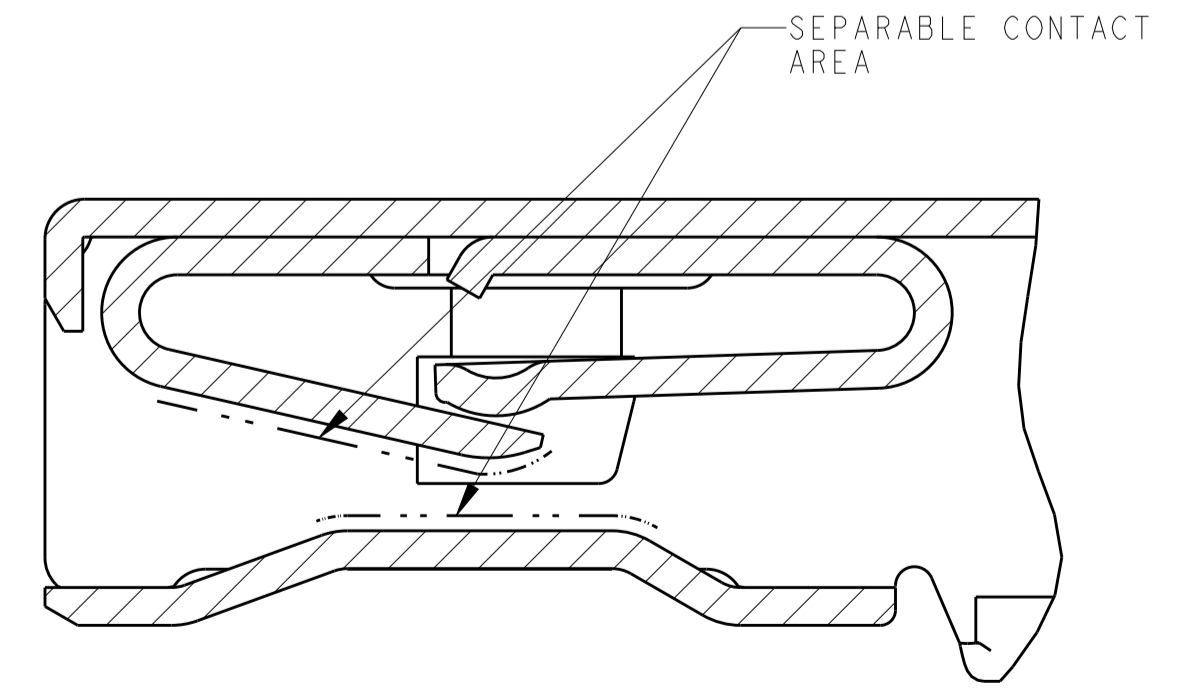
- △ MATERIAL: COPPER ALLOY
- △ FINISH: PRE-PLATED WITH SELECT SILVER AND TIN ALL OVER NICKEL. SEPARABLE CONTACT INTERFACE AREA: 1.00-3.00µm SILVER. CRIMP AREA: 1.00µm MIN TIN.
- △ MATERIAL ID FEATURE IN "UP" POSITION.
- 4. NORMAL FORCE 240 GRAMS REFERENCE.
- 5. AVERAGE ENGAGEMENT FORCE TARGET 3.0N REF.
- △ TERMINAL HAS NYE LUBRICANTS NYETACT 568J-50-UV PERFORMANCE LUBE/GREASE APPLIED. THIS IS A WHITISH COLORED LUBE. AMOUNT AND VISIBILITY MAY VARY.
- 7. FOR SILVER PLATING: ELECTRICAL PERFORMANCE IS NOT AFFECTED BY GRAY OR BLACK TARNISH ON THE SILVER PLATING SURFACE. ACCEPTABLE SILVER SURFACE CAN INCLUDE GRAY OR BLACK TARNISH.
- △ NOT INTENDED FOR SEALED APPLICATIONS.
- △ SEALING CAPABILITY MUST BE EVALUATED ON AN APPLICATION BASIS.



SECTION S-S



SECTION N-N



SECTION A-A  
SCALE 25:1

△△	DETAIL B	1.40	2.40	0.80	1.85	1.10-1.40	0.35	22	1456968-8	△
△△	DETAIL B	0.85	1.82	0.65	1.50	0.85-1.05	0.13	26	1456968-7	△
△△	DETAIL A	1.40	2.40	0.80	1.85	1.10-1.40	0.35	22	1456968-6	△
△△	DETAIL A	0.85	1.82	0.65	1.50	0.85-1.05	0.13	26	1456968-5	△
△△	DETAIL B	1.78	2.94	1.00	1.96	1.60-2.06	0.75	18	1456968-4	△
△△	DETAIL B	1.78	2.94	0.80	1.82	1.50-1.85	0.35-0.50	20-22	1456968-3	△
△△	DETAIL A	1.78	2.94	1.00	1.96	1.60-2.06	0.75	18	1456968-2	△
△△	DETAIL A	1.78	2.94	0.80	1.82	1.50-1.85	0.35-0.50	20-22	1456968-1	△
FINISH	REELING	M	L	K	J	INSULATION DIA	mm <sup>2</sup>	AWG	PART NUMBER	
							WIRE SIZE			

REELING DIRECTION REQUIRED FOR TE APPLICATORS

DETAIL A  
SCALE 2:1

REELING DIRECTION REQUIRED FOR TE APPLICATORS

DETAIL B  
SCALE 2:1

THIS DRAWING IS A CONTROLLED DOCUMENT.

DIMENSIONS:	TOLERANCES UNLESS OTHERWISE SPECIFIED:	DWN F. KINSEY 16APR2007	TE Connectivity CONTACT, FEMALE, 0.64, SILVER PLATE GENERATION Y
mm	0 PLC ±	CHK C. SCHMID 16APR2007	
	1 PLC ±0.15	APP'D C. SCHMID 16APR2007	
	2 PLC ±		
MATERIAL:	FINISH:	PRODUCT SPEC:	RESTRICTED TO
		APPLICATION SPEC:	
		SIZE CAGE CODE DRAWING NO:	
		WEIGHT 0.23g	A100779C=1456968
		CUSTOMER DRAWING	SCALE 15:1 SHEET 1 OF 1 REV E2

# Mouser Electronics

Authorized Distributor

Click to View Pricing, Inventory, Delivery & Lifecycle Information:

[TE Connectivity:](#)

[1456968-3](#) [1456968-2](#) [1456968-3 \(Loose Piece\)](#)