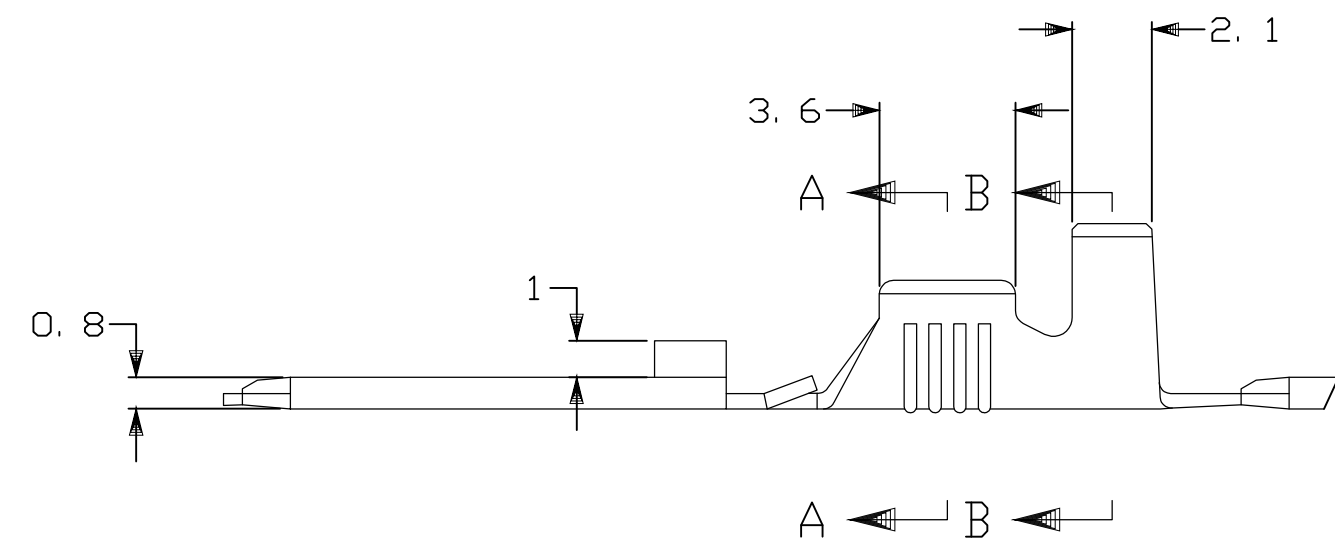
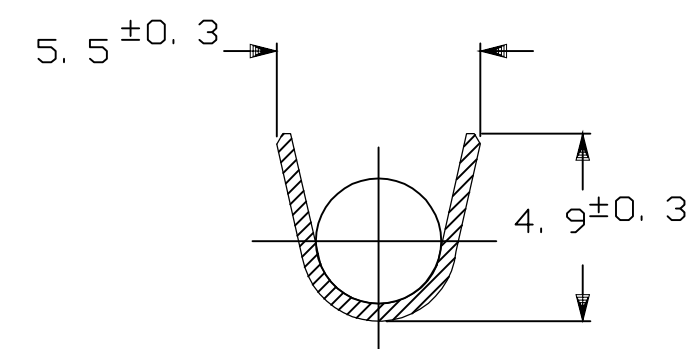
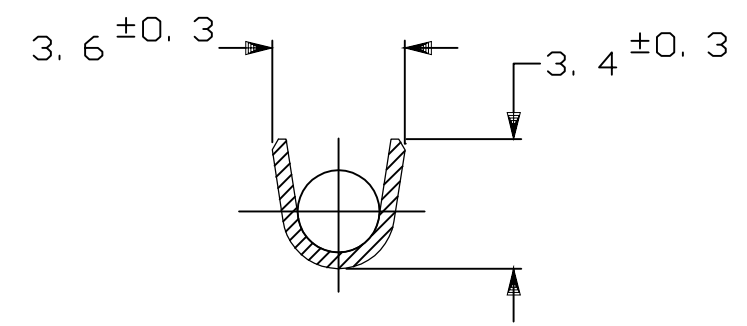
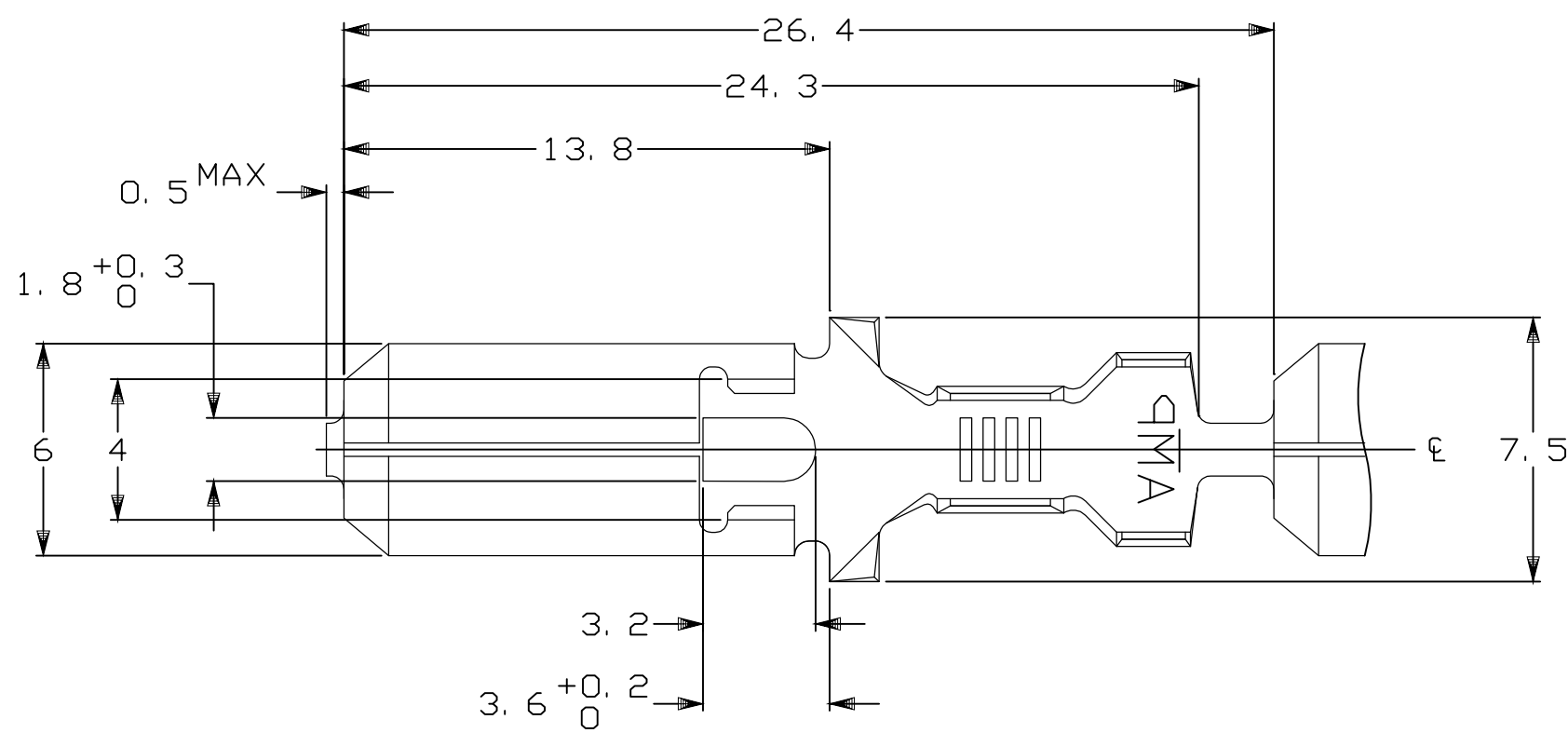


THIS DRAWING IS UNPUBLISHED. RELEASED FOR PUBLICATION
 © COPYRIGHT - By - ALL RIGHTS RESERVED.

LOC	DIST	REVISIONS 変更			
P	LTR	DESCRIPTION	DATE	DWN	APVD
J	-	C4	REVISED	02DEC2013	K.S D.Z
		C5	REVISED PER ECR-15-013317	21SEP2015	L.P T.D



△ REVERSE REEL OF 170340-3
 △ 170340-3、逆巻リール
 △ SEPARATE PAPER TYPE

△	—	PRE-TIN BRASS t0.41	179462-3	2-170340-3
△	—	PRE-TIN BRASS t0.41	—	1-170340-3
	—	PRE-TIN BRASS t0.41	179462-3	170340-3
	—	BRASS t0.41	—	170340-1
	FINISH	MATERIAL	LOOSE PIECE NUMBER	PART NUMBER

THIS DRAWING IS A CONTROLLED DOCUMENT.

DIMENSIONS: 単位: 耗 mm	TOLERANCES UNLESS OTHERWISE SPECIFIED: 一般公差
	0 PLC ± -
	1 PLC 10 ± - ±0.2
	2 PLC 30 ± - ±0.25
	3 PLC ANGLE: ±3°
	4 PLC ± -
	ANGLES ± -
MATERIAL 材料 SEE TABLE	FINISH 仕上 SEE TABLE

DWN A.YAMAGUCHI 19AUG98	INSULATION DIA 被覆外径 2.1~3.4 DIA
CHK K.BETSUI 26AUG98	TE Connectivity 250 SERIES TAB WITHOUT LATCH 250シリーズ ラッチ無しタブ
APVD K.BETSUI 26AUG98	
PRODUCT SPEC 製品規格 108-5147	NAME 名称
APPLICATION SPEC 取付適用規格 114-5052	SIZE A3
WEIGHT 0.76g	CAGE CODE 00779
CUSTOMER DRAWING	DRAWING NO 番号 C-170340
	RESTRICTED TO —
	SCALE 尺度 5:1
	SHEET 1 OF 1
	REV C5

Mouser Electronics

Authorized Distributor

Click to View Pricing, Inventory, Delivery & Lifecycle Information:

[TE Connectivity:](#)

[170340-1 \(Mouser Reel\)](#) [170340-1 \(Cut Strip\)](#)