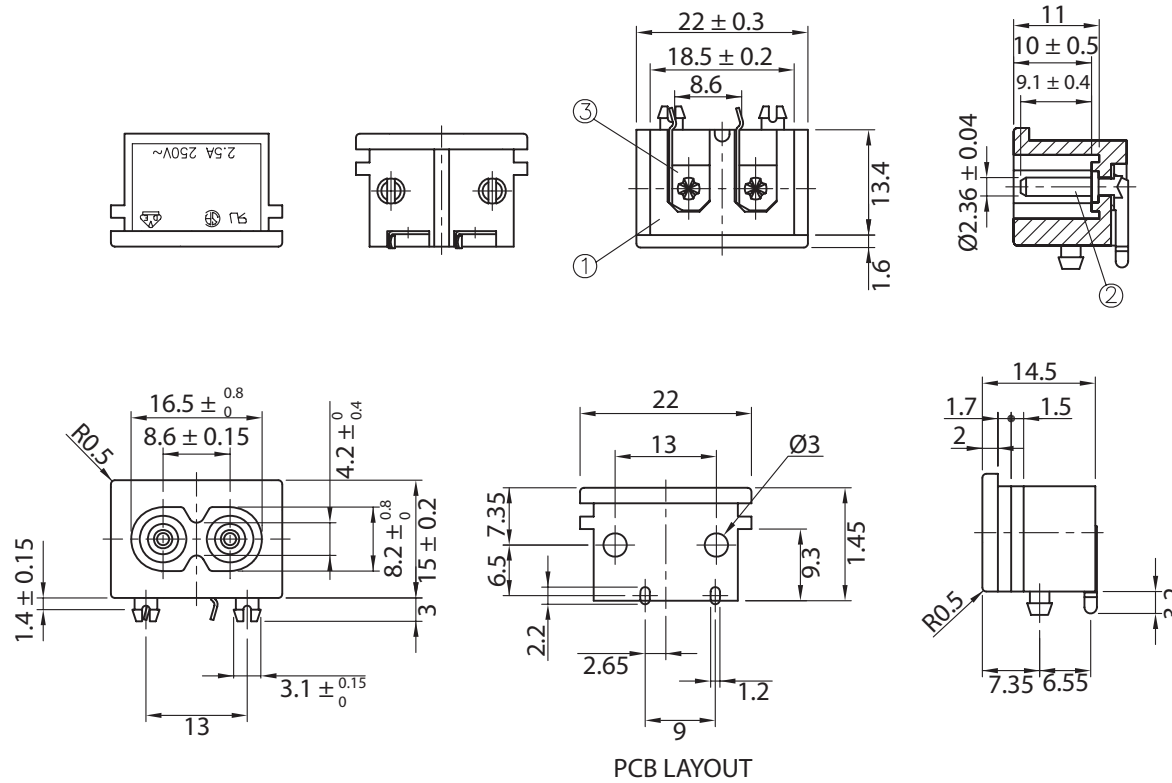


THESE DRAWINGS ARE THE PROPERTY OF QUALTEK ELECTRONICS AND NOT TO BE REPRODUCED FOR OR COMMUNICATED TO A THIRD PARTY WITHOUT THE EXPRESS WRITTEN PERMISSION OF AN OFFICER OF QUALTEK ELECTRONICS.

REVISION			
REV.	DESCRIPTION	DATE	APPROVED
B	RoHS Compliancy	06-01-06	DP



**CONTROLLED**

NOTES:

RATING: 2.5A 250V AC  
 APPROVALS: UL,CSA,VDE  
 RoHS COMPLIANT

3	Soldering PIN Brass Strip t=0.4mm Tin-Plated	2			
2	Solid Contact PIN Brass Strip d=Ø2.36 mm Ni-Plated	2			
1	Body Insulator PC Black Color	1			
Dim range (mm)		Tolerance +/- (mm)		<b>Qualtek Electronics Corp.</b> PPC DIVISION Part Number: <b>770W-X2/10</b> <span style="border: 1px solid green; padding: 2px;">RoHS Compliant</span>	
0-1		0.15			
1-6		0.20		Description: <b>AC RECEPTACLE</b>	
6-18		0.30			
18-50		0.50		UNIT: mm	
50-120		0.70			
120-250		0.90		REV. B	
250-500		1.20			
Drawn / Date		Checked / Date		Approved / Date	
B.Zhang 08-22-02		08-22-02		JH / 08-22-02	

# Mouser Electronics

Authorized Distributor

Click to View Pricing, Inventory, Delivery & Lifecycle Information:

[Qualtek:](#)

[770W-X2/10](#)