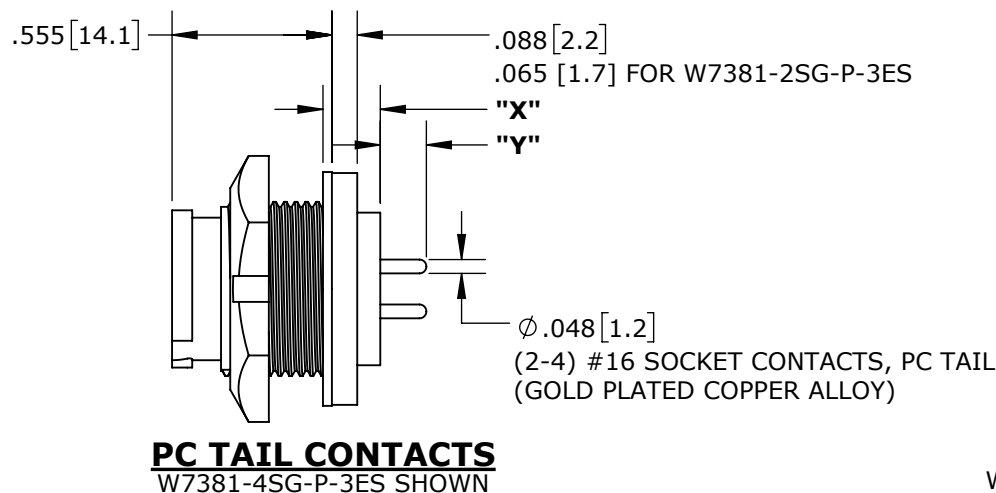
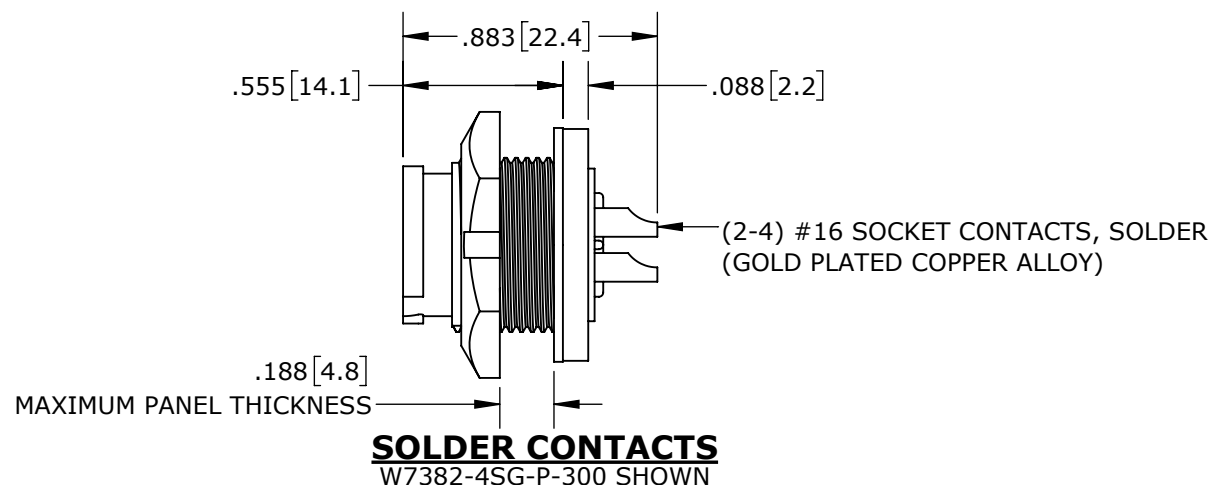
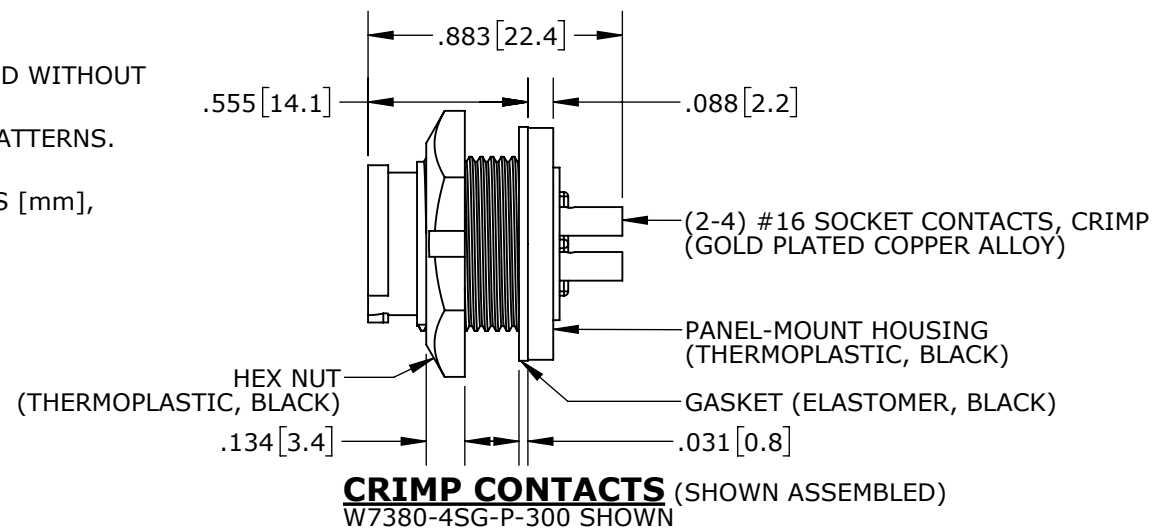


CUSTOMER PRINT

PART NUMBER: W738X-XSG-P-3XX_CD

- NOTES:
1. CRIMP CONTACTS SUPPLIED UNASSEMBLED AND WITHOUT EPOXY BACKING.
 2. REFER TO DRAWING HPMISTD FOR CONTACT PATTERNS.
 3. HEX-NUT TORQUE: 8-10 IN-LB.
 4. DIMENSIONS ARE REFERENCE ONLY, IN INCHES [mm], WITHIN ±0.015 UNLESS OTHERWISE NOTED.



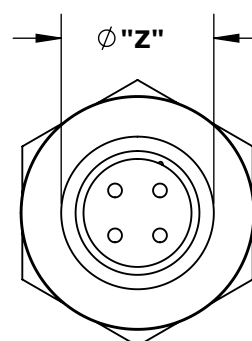
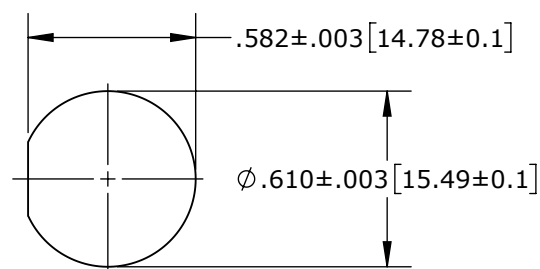
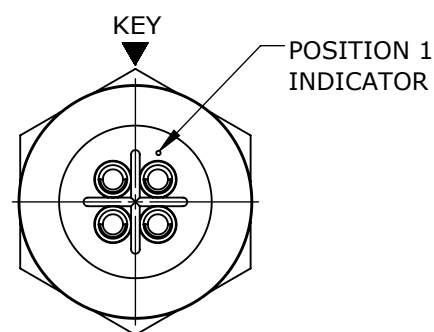
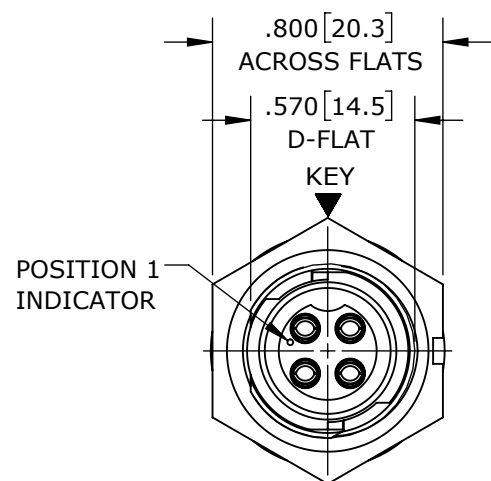
PANEL-MOUNT CONNECTOR PART NUMBERS:

W 7 3 8 X - X S G - P - 3XX

CONTACTS STYLE:
0 = CRIMP
2 = SOLDER
1 = PC TAIL

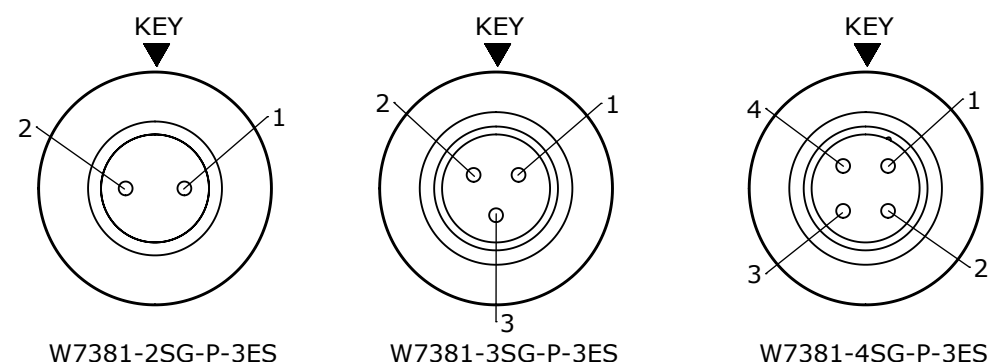
OF CONTACTS:
2-4 #16 SOCKETS

EPOXY BACKING:
3ES = WITH EPOXY
300 = WITHOUT EPOXY



PC CONTACT CONNECTORS DIMENSIONING:			
PART NUMBER	"X"	"Y"	"Z"
W7381-2SG-P-300			
W7381-3SG-P-300	.171 [4.3]	.188 [4.8]	.530 [13.5]
W7381-4SG-P-300			
W7381-2SG-P-3ES	.193 [4.9]	.166 [4.2]	.465 [11.8]
W7381-3SG-P-3ES			
W7381-4SG-P-3ES	.199 [5.1]	.160 [4.1]	.530 [13.5]

RECOMMENDED PANEL CUTOUT



CONTACT ARRANGEMENTS (WIRING END SHOWN)

CUSTOMER APPROVAL

THIS DOCUMENT CONTAINS CONFIDENTIAL INFORMATION PROPRIETARY TO CONXALL CORPORATION. ANY REPRODUCTION, DISCLOSURE, OR USE OF THIS DOCUMENT /INFORMATION IS EXPRESSLY PROHIBITED UNLESS AUTHORIZED IN WRITING BY CONXALL CORPORATION.

APPROVED BY: _____
DATE: _____

RoHS COMPLIANT

0A	PNK	01-12-18	PDR16014
REV.	INIT.	DATE	DESCRIPTION
	PNK	01-12-18	
<p>ALL INFORMATION ILLUSTRATED IS THE PROPERTY OF "CONXALL CORPORATION". UNAUTHORIZED DUPLICATION OR DISTRIBUTION OF THIS DOCUMENT IS PROHIBITED.</p> <p>ALL UNITS ARE IN FEET, INCHES, FRACTION OF INCHES AND DECIMALS.</p>			
<p>APPROVED BY: _____</p>		<p>CHECKED BY: _____</p>	
<p>SCALE: NTS SIZE: B SHEET: 1 OF 1</p>		<p>TITLE: PANEL-MOUNT CONNECTOR 2-4 #16 SOCKET CONTACTS INSTA-CLICK™ MINI-CON-X STANDARD PRODUCT</p>	
<p>FILE: W738X-XSG-P-3XX_CD</p>		<p>DIRECTORY: SLW</p>	
<p>PART NUMBER: W738X-XSG-P-3XX</p>			<p>REV 0A</p>



601 E. WILDWOOD VILLA PARK, IL 60181

Mouser Electronics

Authorized Distributor

Click to View Pricing, Inventory, Delivery & Lifecycle Information:

Switchcraft:

[W7380-6SG-P-300](#) [W7382-2SG-P-3ES](#) [W7382-3SG-P-300](#) [W7382-5SG-P-300](#) [W7380-3SG-P-300](#) [W7380-2SG-P-300](#) [W7382-2SG-P-300](#) [W7382-6SG-P-3ES](#) [W7382-4SG-P-300](#) [W7380-4SG-P-300](#) [W7382-5SG-P-3ES](#) [W7382-4SG-P-3ES](#) [W7382-3SG-P-3ES](#) [W7382-6SG-P-300](#) [W7380-5SG-P-300](#)