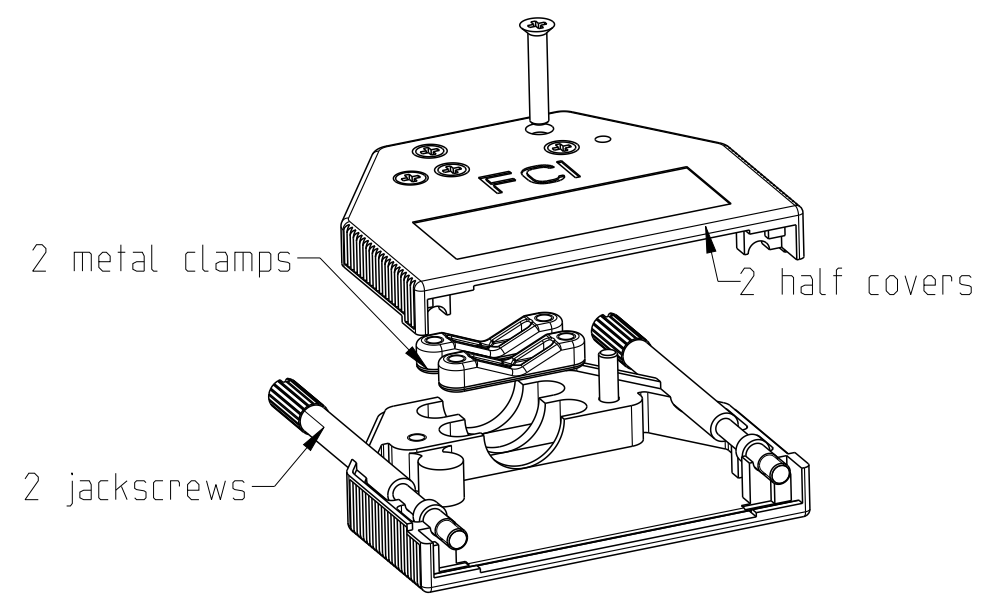
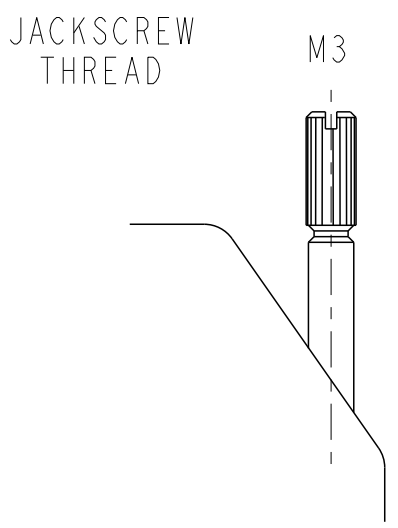
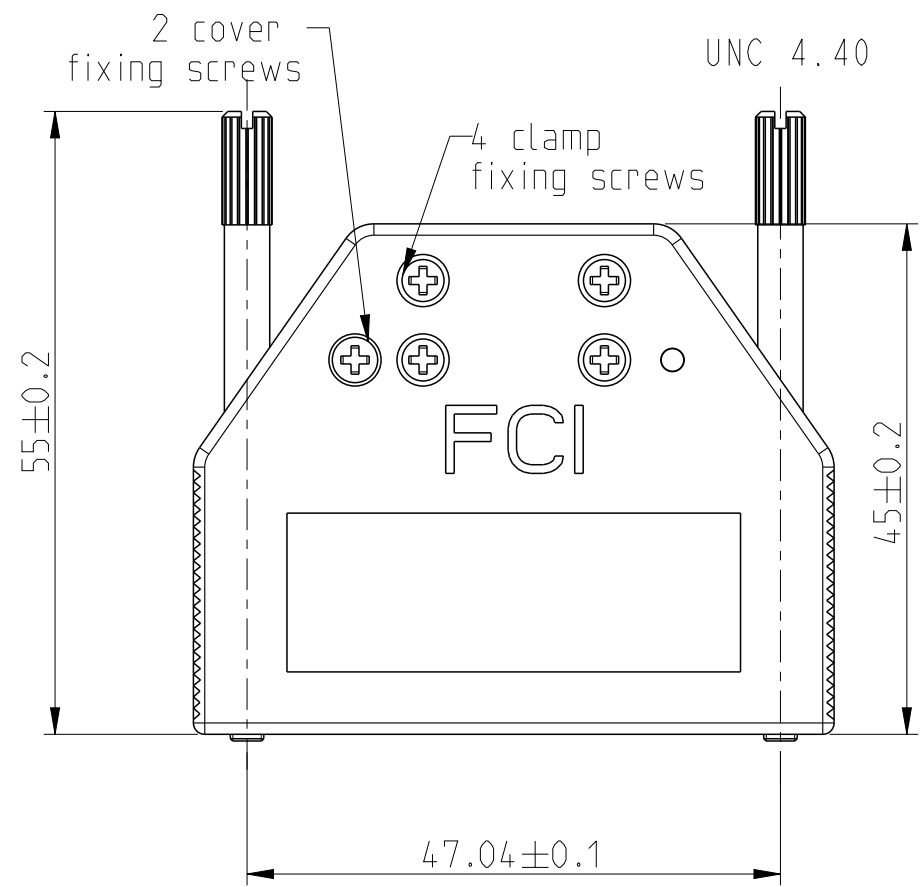
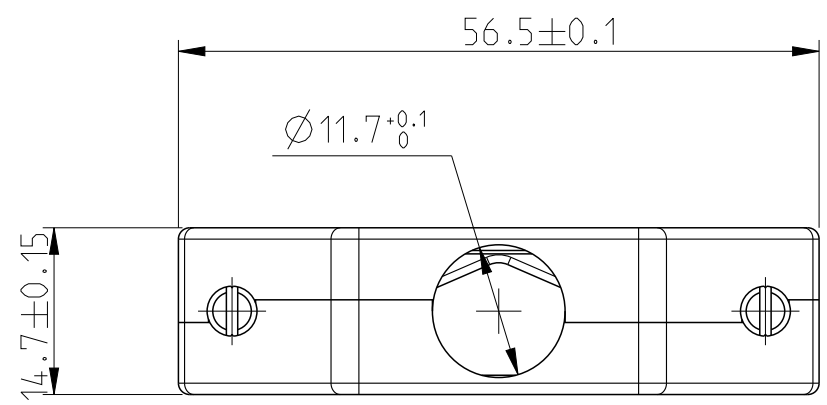




| SIZE | Part Number  | Jack Screw Thread | Packing                          |
|------|--------------|-------------------|----------------------------------|
| 25   | 8655MH2501LF | UNC 4-40          | bulk : Qty 60                    |
|      | 8655MH2511LF |                   | individual set<br>50 sets/carton |
|      | 8655MH2502LF | M3                | bulk : Qty 60                    |
|      | 8655MH2512LF |                   | individual set<br>50 sets/carton |

NOTE:RoHS INFORMATIONS

- The LF product meets European union Directives and other country regulations as described in GS-22-009
- The product is not intended to be exposed to a manufacturing solder process
- Packaging spec:see GS-14-920



SCALE 1:1

NOTES : for every sizes

Material and finish : Zinc die-cast  
nickel plated

Cable strain relief : Zinc die-cast

Jackscrew : Brass, nickel plated  
UNC 4-40 or M3 (see tables)

Temperature range : -55°C to +125°C

Attenuation factor : >40 dB between 10 MHz

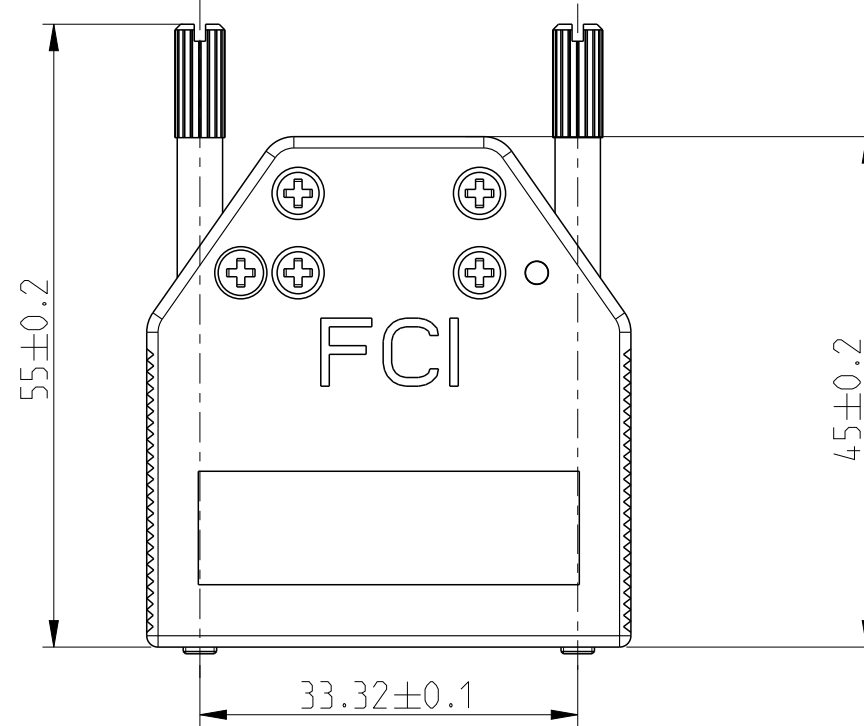
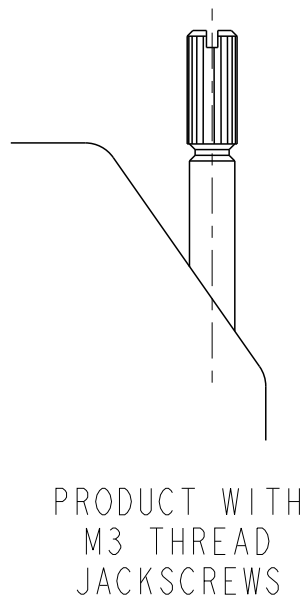
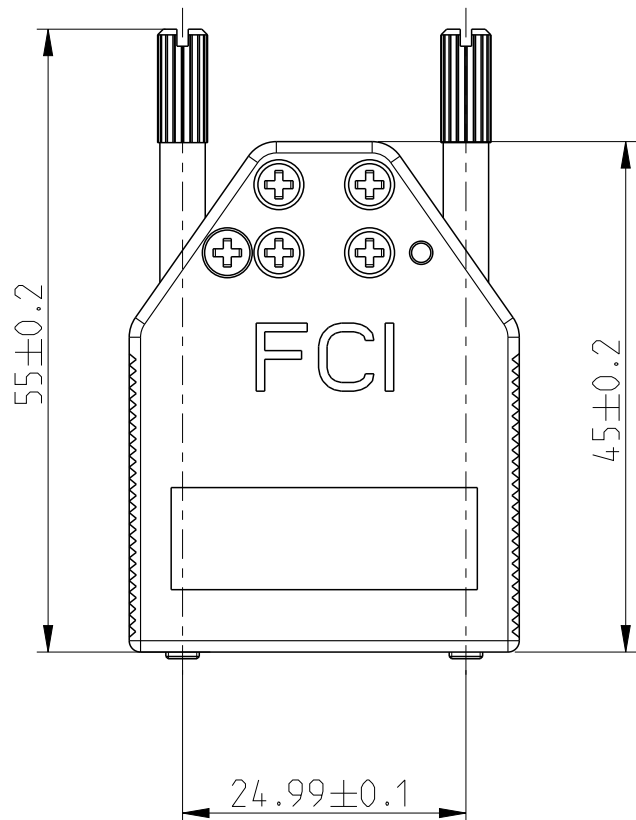
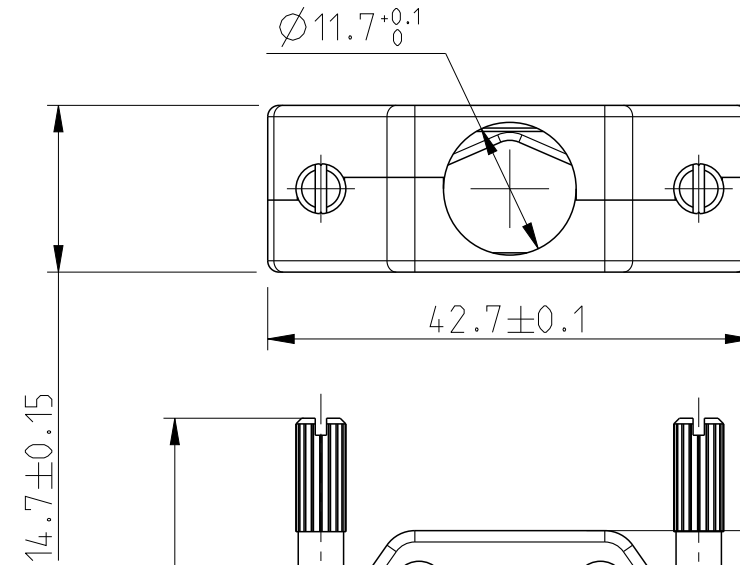
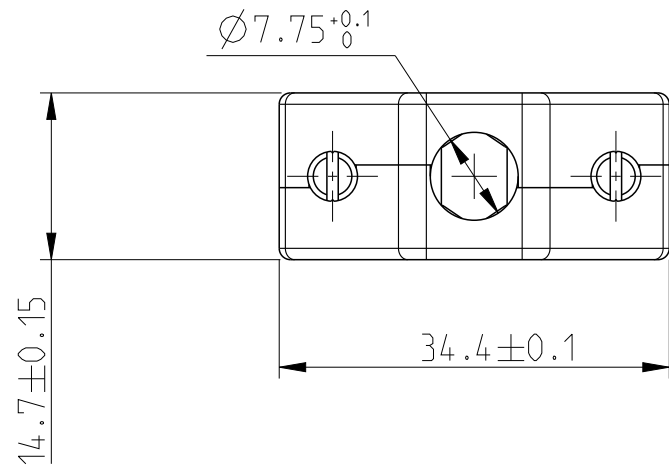
Other size details : see on next pages.

| TOLERANCES UNLESS OTHERWISE SPECIFIED |       |       |                     | tolerance std    | dr             | 2009/05/20 | projection | mm | size      | scale         |
|---------------------------------------|-------|-------|---------------------|------------------|----------------|------------|------------|----|-----------|---------------|
| linear                                | X.    | ±/    | ISO 406<br>ISO 1101 | surface -<br>302 | eng            | 2014/06/09 |            |    | A3        | 3:2           |
|                                       | 0.X   | ±/    |                     |                  | chr            | 2014/06/09 |            |    | ecn no    | ELX-B-17874-1 |
|                                       | 0.XX  | ±/    |                     |                  | appr           | 2014/06/09 |            |    | rel level | Released      |
|                                       | 0.XXX | ±/    |                     |                  | product family |            |            |    |           |               |
| angular                               | 0°    | ±/° A |                     |                  |                |            |            |    |           |               |

|  |  |                        |                        |
|--|--|------------------------|------------------------|
|  | title<br>STRAIGHT METAL HOODS<br>WITH 2 METAL CLAMPS | dwg no<br>C-8655-1685C | rev<br>C               |
|  | www.fci.com  | cat. no.               | Product - Customer Drw |

| SIZE | Part Number  | Jack Screw Thread | Packing                       |
|------|--------------|-------------------|-------------------------------|
| 09   | 8655MH0901LF | UNC 4-40          | bulk : Qty 80                 |
|      | 8655MH0911LF |                   | individual set 50 sets/carton |
|      | 8655MH0902LF | M3                | bulk : Qty 80                 |
|      | 8655MH0912LF |                   | individual set 50 sets/carton |

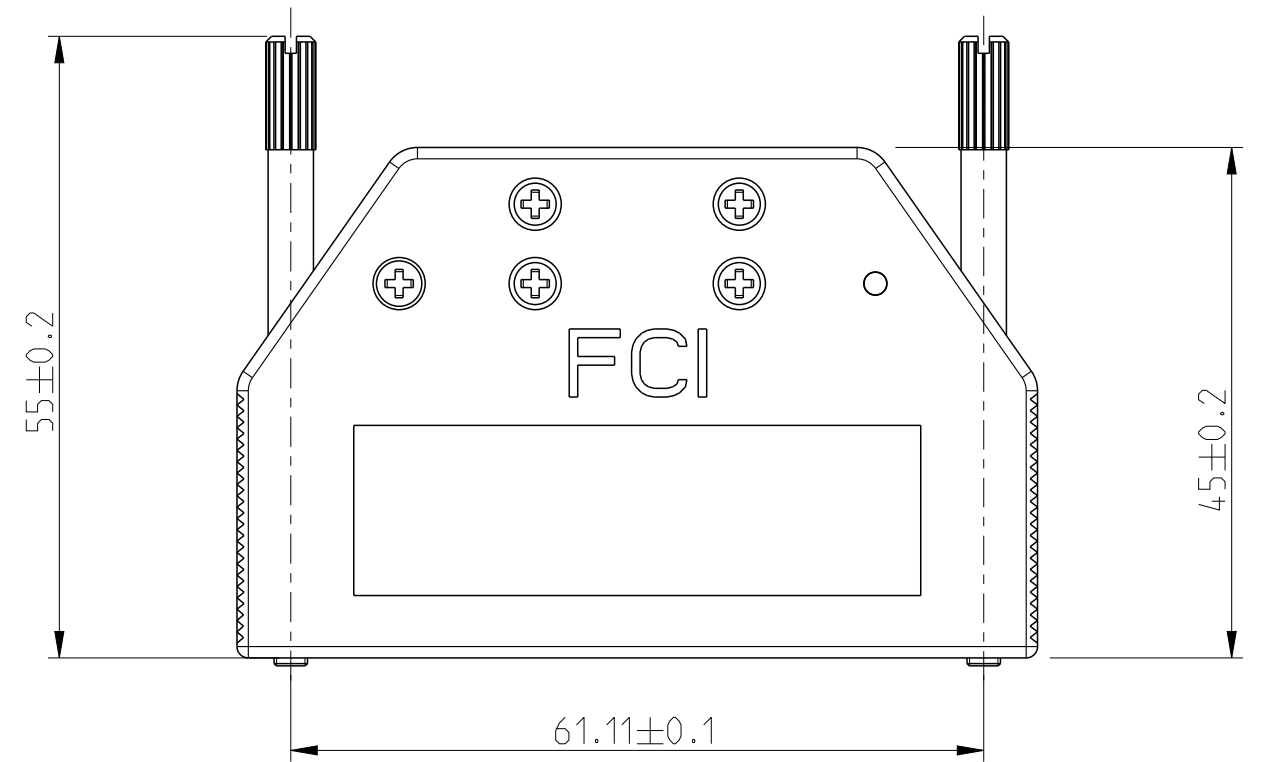
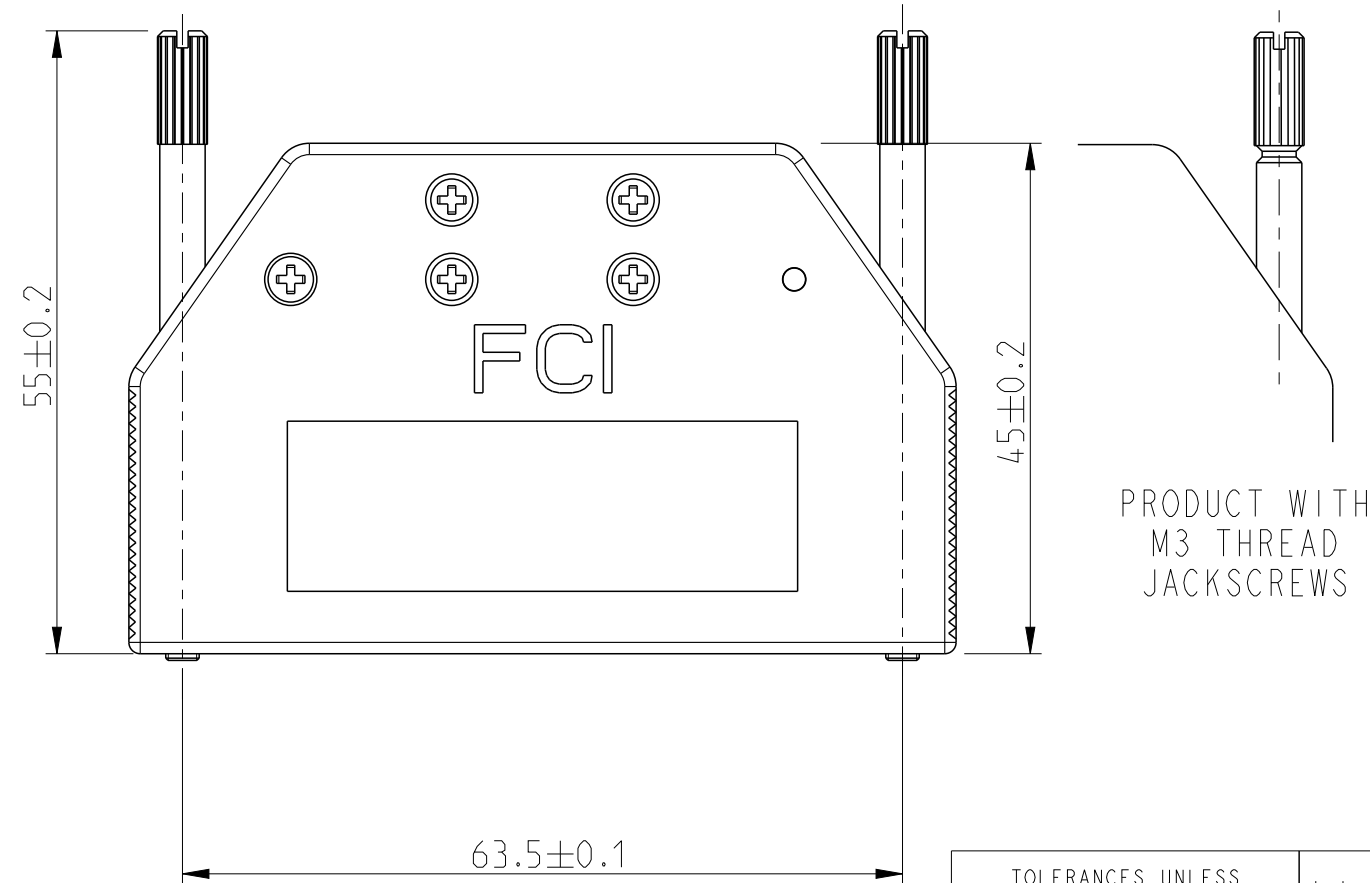
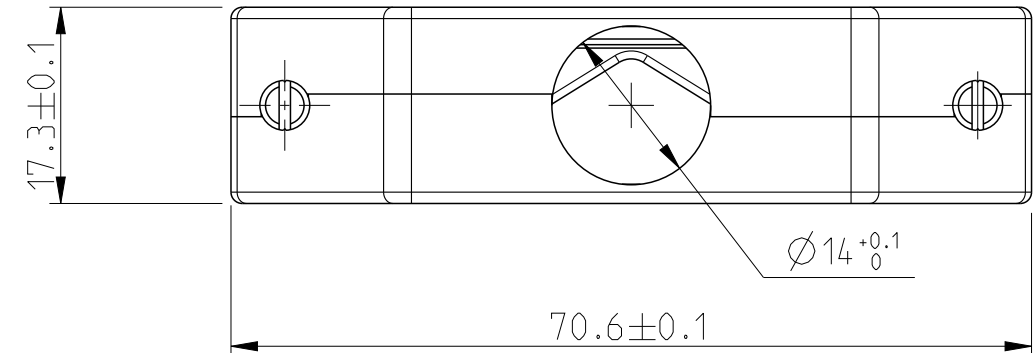
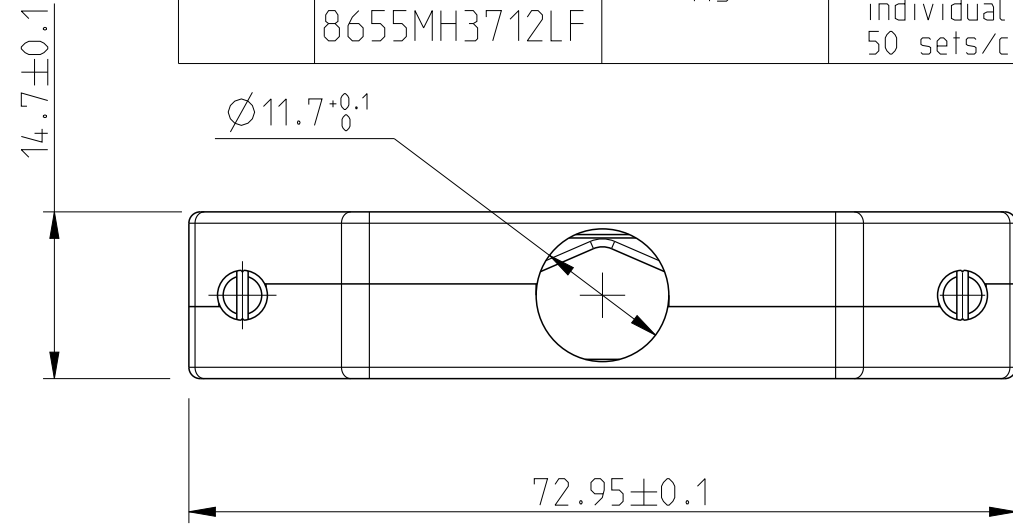
| SIZE | Part Number  | Jack Screw Thread | Packing                       |
|------|--------------|-------------------|-------------------------------|
| 15   | 8655MH1501LF | UNC 4-40          | bulk : Qty 80                 |
|      | 8655MH1511LF |                   | individual set 50 sets/carton |
|      | 8655MH1502LF | M3                | bulk : Qty 80                 |
|      | 8655MH1512LF |                   | individual set 50 sets/carton |



|                                       |       |       |               |          |            |            |            |  |        |              |                |          |
|---------------------------------------|-------|-------|---------------|----------|------------|------------|------------|--|--------|--------------|----------------|----------|
| TOLERANCES UNLESS OTHERWISE SPECIFIED |       |       | tolerance std | dr       | A Parrenin | 2009/05/20 | projection | mm                                       | size   | A3           | scale          | 3:2      |
| linear                                | X.    | ±/    | ISO 406       | eng      | A Parrenin | 2014/06/09 |            | ←→                                       | ecn no | Released     |                |          |
|                                       | 0.X   | ±/    |               | ISO 1101 | chr        | A Parrenin |            |  |        | 2014/06/09   | product family | -        |
|                                       | 0.XX  | ±/    | surface       |          | ✓          | FCI        | title      | STRAIGHT METAL HOODS WITH 2 METAL CLAMPS | dwg no | C-8655-1685C |                |          |
|                                       | 0.XXX | ±/    |               | 302      |            |            |            |  |        |              | www.fci.com    | cat. no. |
| angular                               | 0°    | ±/° A |               |          |            |            |            |  |        |              |                |          |

| SIZE | Part Number  | Jack Screw Thread | Packing                       |
|------|--------------|-------------------|-------------------------------|
| 37   | 8655MH3701LF | UNC 4-40          | bulk : Qty 40                 |
|      | 8655MH3711LF |                   | individual set 50 sets/carton |
|      | 8655MH3702LF | M3                | bulk : Qty 40                 |
|      | 8655MH3712LF |                   | individual set 50 sets/carton |

| SIZE | Part Number  | Jack Screw Thread | Packing                       |
|------|--------------|-------------------|-------------------------------|
| 50   | 8655MH5001LF | UNC 4-40          | bulk : Qty 40                 |
|      | 8655MH5011LF |                   | individual set 50 sets/carton |
|      | 8655MH5002LF | M3                | bulk : Qty 40                 |
|      | 8655MH5012LF |                   | individual set 50 sets/carton |



| TOLERANCES UNLESS OTHERWISE SPECIFIED |        |       |             | tolerance std | dr         | 2009/05/20                               | projection             | size         | scale        |                |          |
|---------------------------------------|--------|-------|-------------|---------------|------------|--|------------------------|--------------|--------------|----------------|----------|
| linear                                | X.     | ±/    | ISO 406     | surface ✓     | eng        | 2014/06/09                               |                        | mm           | A3           |                |          |
|                                       | 0.X    | ±/    |             |               | chr        | 2014/06/09                               |                        |              |              | product family | ecn no   |
|                                       | 0.XX   | ±/    | appr        |               | 2014/06/09 | rel level                                |                        |              |              |                | Released |
|                                       | 0.XXX  | ±/    |             |               | title      | STRAIGHT METAL HOODS WITH 2 METAL CLAMPS |                        | dwg no       | C-8655-1685C |                |          |
|                                       | 0.XXXX | ±/    | www.fci.com |               | cat. no.   | -  | Product - Customer Drw | rev          | C            |                |          |
| angular                               | 0°     | ±/° A | 302         | -             |            | Product - Customer Drw                   |                        | sheet 3 of 4 |              |                |          |

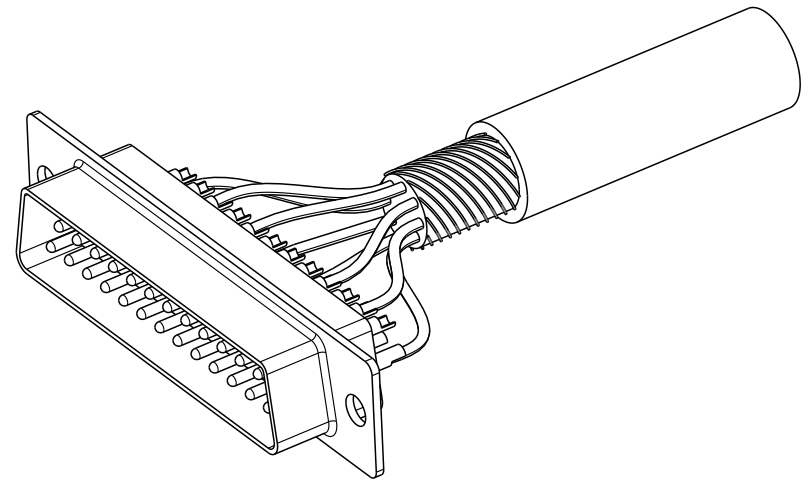
FCI CONFIDENTIAL



This document is the property of and embodies CONFIDENTIAL and PROPRIETARY information of FCI. No part of the information shown on this document may be used in any way or disclosed to others without the written consent of FCI. Copyright FCI.

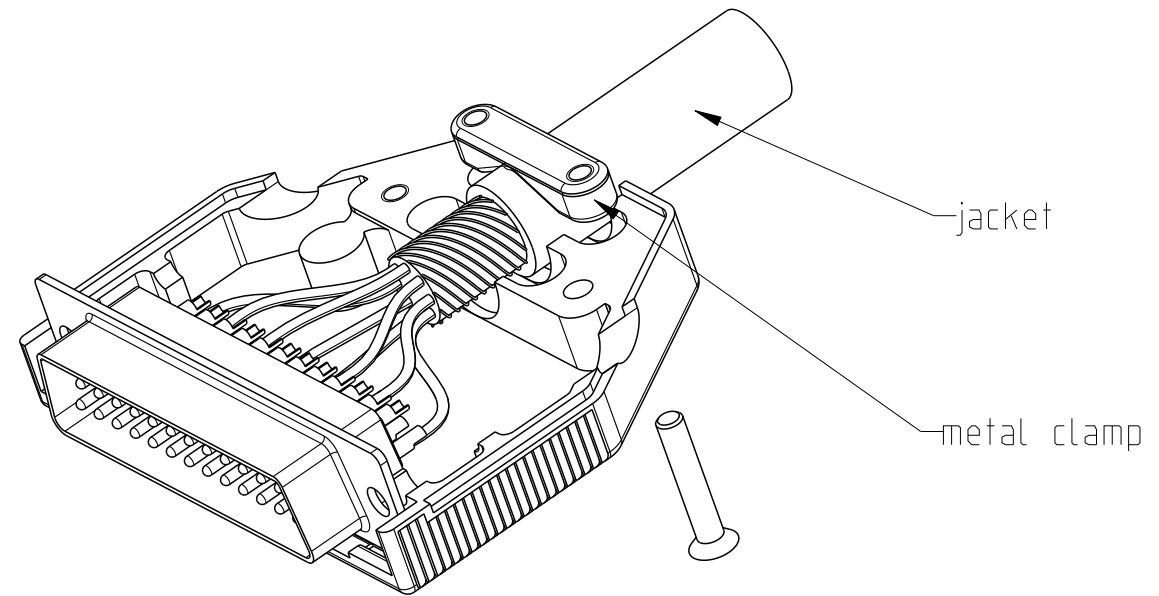
# CABLING INSTRUCTIONS

1- Strip the cable and solder or crimp the wires



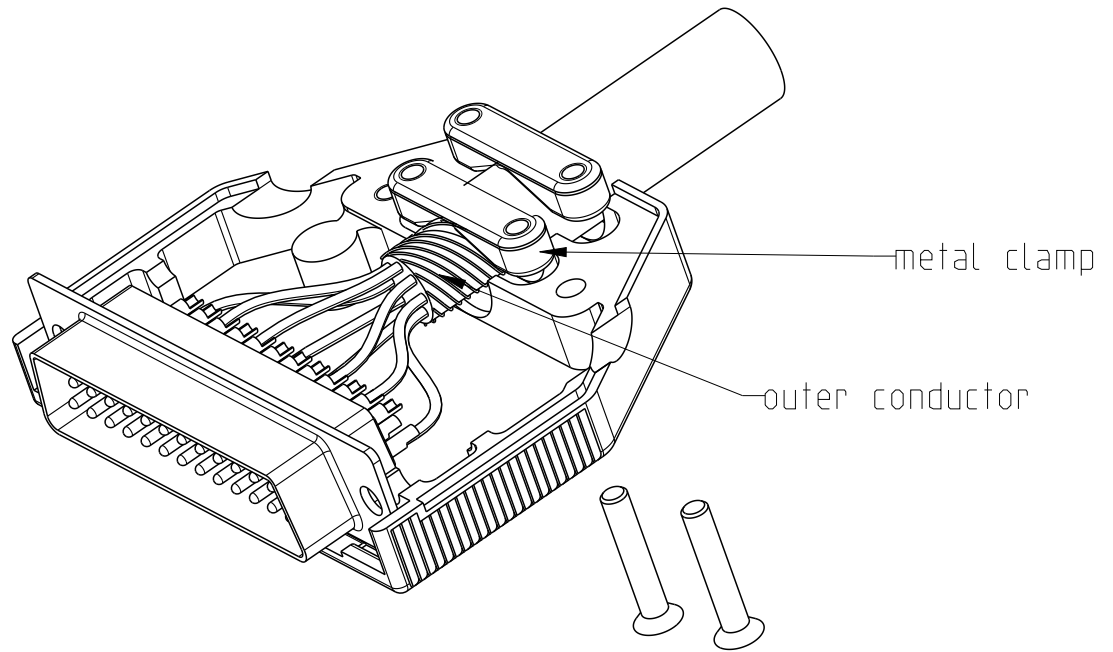
SCALE 3:2

2-Put the connector into a half hood and tighten the jacket with a metal clamp



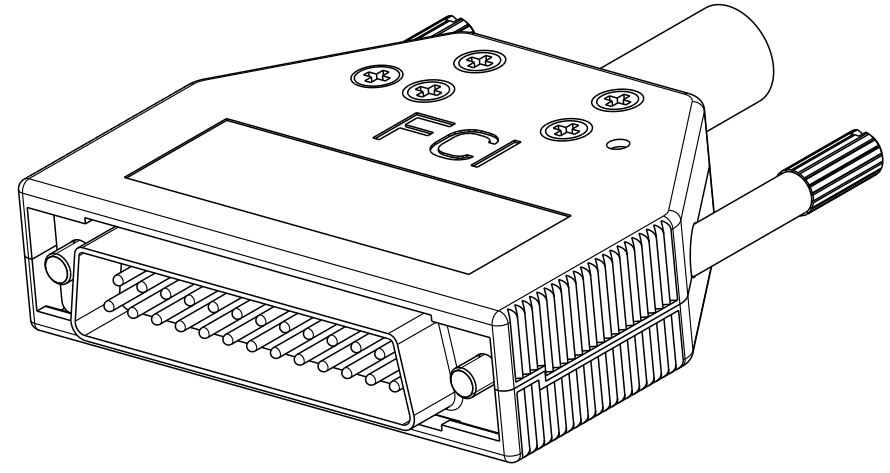
SCALE 3:2

3-To get the electrical continuity between the cable outer conductor and the hood tighten the outer conductor with the other metal clamp as shown



SCALE 3:2

4-Mount the jackscrews, the other half hood and tighten with 2 screws



|                                       |       |         |               |          |             |               |            |                |        |              |                        |  |
|---------------------------------------|-------|---------|---------------|----------|-------------|---------------|------------|----------------|--------|--------------|------------------------|--|
| TOLERANCES UNLESS OTHERWISE SPECIFIED |       |         | tolerance std | dr       | A Parrenin  | 2009/05/20    | projection | mm             | size   | A3           | scale                  | 1:1                                      |
| linear                                | X.    | ±/      | ISO 406       | eng      | A Parrenin  | 2014/06/09    |            | ← →            | ecn no | Released     |                        |  |
|                                       | 0.X   | ±/      |               | ISO 1101 | chr         | A Parrenin    |            |                |        | 2014/06/09   | rel level              | Released                                 |
|                                       | 0.XX  | ±/      | surface       |          | appr        | Gert Drosbeke | 2014/06/09 | product family | dwg no | C-8655-1685C |                        |  |
|                                       | 0.XXX | ±/      |               | 302      | www.fci.com |               |            |                |        | title        |                        | STRAIGHT METAL HOODS WITH 2 METAL CLAMPS |
| 0.XXXX                                | ±/    | angular |               |          | 0° ±/° A    |               |            | cat. no.       |        |              | Product - Customer Drw |  |
|                                       |       |         |               |          |             |               |            |                | rev    |              |                        | C  |