

Signet 2551 Blind Magmeter



3-2551.090 Rev. 18 06/19

Operating Instructions



Description

The Signet 2551 Magmeter is an insertion-style magnetic flow sensor. The patented sensor design is available in a variety of corrosion-resistant materials to provide long-term reliability and minimal maintenance costs. Wetted material combinations include PP/316 SS, PVDF/Hastelloy-C and PVDF/Titanium. The 2551 installs quickly and securely into a wide selection of flow fittings to deliver accurate flow measurement in pipe sizes ranging from DN15 to DN900 (1/2 in. to 36 in.).

Signet 2551 Magmeters are available with a frequency output or Digital (S³L) output for use with the Signet 9900-1BC Batch Controller, 8900 Multi-Parameter Controller or 9900 Transmitter, or with a 4 to 20 mA output for a direct input to a PLC, SCADA or telemetry system.

All 2551 Magmeters feature empty pipe detection and LED-assisted diagnostics. The Signet 3-0252 Configuration Tool set-up tool is available to customize every performance feature in the 2551 to adapt it to the specific application requirements.

Table of Contents

- Warranty Information 2
- Product Registration 2
- Chemical Compatibility 2
- Dimensions 2
- Safety Information 2
- Specifications 3
- Quick Start 3
- Installation 4
- Location of Fitting 4
- Sensor Mounting Position 4
- Hardware Configuration 5
- General Installation and Grounding Tips 6
- Wiring with 4 to 20 mA Loop Output 6
- Wiring with Frequency or Digital (S³L) Output 7
- Wiring with Frequency Other Manufacturer's Equipment 8
- Calibration and Software Configuration 8
- Averaging and Sensitivity 9
- Calibration Data: K-Factors and Full Scale Current Values 10-12
- Maintenance and Troubleshooting 13-14
- Ordering Information 15-16



- [English](#)
- [Deutsch](#)
- [Français](#)
- [Español](#)
- [Italiano](#)
- [Português](#)
- [中文](#)



Warranty Information

Refer to your local Georg Fischer Sales office for the most current warranty statement.

All warranty and non-warranty repairs being returned must include a fully completed Service Form and goods must be returned to your local GF Sales office or distributor. Product returned without a Service Form may not be warranty replaced or repaired.

Signet products with limited shelf-life (e.g. pH, ORP, chlorine electrodes, calibration solutions; e.g. pH buffers, turbidity standards or other solutions) are warranted out of box but not warranted against any damage, due to process or application failures (e.g. high temperature, chemical poisoning, dry-out) or mishandling (e.g. broken glass, damaged membrane, freezing and/or extreme temperatures).

Product Registration

Thank you for purchasing the Signet line of Georg Fischer measurement products.

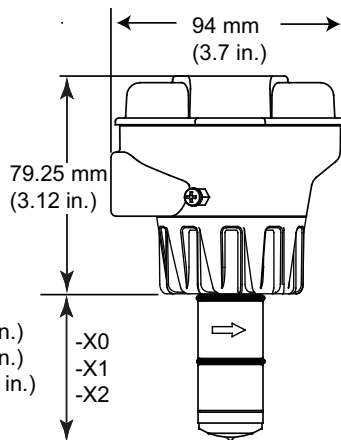
If you would like to register your product(s), you can now register online in one of the following ways:

- Visit our website www.gfsignet.com. Under **Service and Support** click on **Product Registration Form**
- If this is a pdf manual (digital copy), [click here](#)

Chemical Compatibility

The retaining nuts of Magmeters are not designed for prolonged contact with aggressive substances. Strong acids, caustic substances and solvents or their vapor may lead to failure of the retaining nut, ejection of the sensor and loss of the process fluid with possibly serious consequences, such as damage to equipment and serious personal injury. Retaining nuts that may have been in contact with such substances, e.g. due to leakage or spilling, must be replaced.

Dimensions



Pipe Range:

- 1/2 to 4 in. -X0 = 58 mm (2.3 in.)
- 5 to 8 in. -X1 = 91 mm (3.6 in.)
- 10 to 36 in. -X2 = 167 mm (6.6 in.)

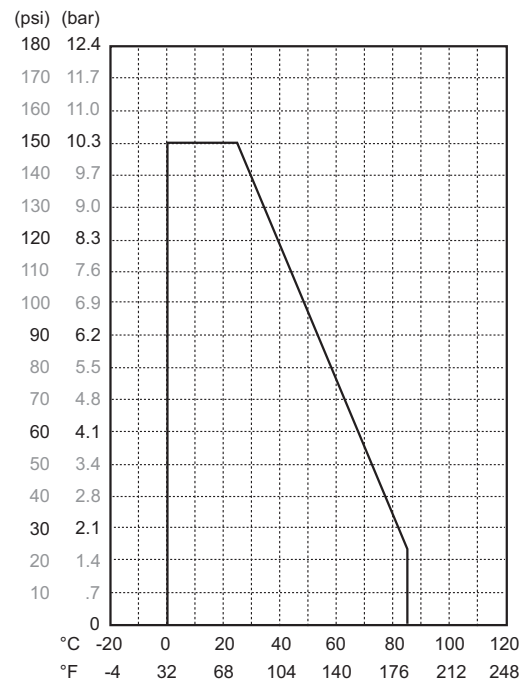
X = Sensor Body P, T, or V

Safety Information

Depressurize and vent system prior to installation or removal. Confirm chemical compatibility before use. Do not exceed maximum temperature/pressure specifications. Wear safety goggles or face shield during installation/service. Do not alter product construction. Disconnect power before attempting any service or wiring.

	Caution / Warning / Danger Indicates a potential hazard. Failure to follow all warnings may lead to equipment damage, injury, or death
	Electrostatic Discharge (ESD) / Electrocutation Danger Alerts user to risk of potential damage to product by ESD, and/or risk of potential of injury or death via electrocution.
	Personal Protective Equipment (PPE) Always utilize the most appropriate PPE during installation and service of Signet products.
	Pressurized System Warning Sensor may be under pressure, take caution to vent system prior to installation or removal. Failure to do so may result in equipment damage and/or serious injury.
	Hand Tighten Only Overtightening may permanently damage product threads and lead to failure of the retaining nut.
	Do Not Use Tools Use of tool(s) may damage product beyond repair and potentially void product warranty.

Operating Temperature/Pressure



Specifications

General

Pipe size range.....DN15 to DN 900 (0.5 in. to 36 in.)
 Flow Range
 Minimum0.05 m/s (0.15 ft/s)
 Maximum10 m/s (33 ft/s)
 Linearity.....± 1% reading plus 0.01 m/s (0.033 ft/s)
 Repeatability.....± 0.5% of reading @ 25 °C (77 °F)
 Min. Conductivity20 µS/cm

Wetted Materials

Sensor body and Electrodes and Grounding ring
 -P0, -P1, -P2Polypropylene and 316L SS
 -T0, -T1, -T2.....PVDF and Titanium
 -V0, -V1,-V2PVDF and Hastelloy-C
 O-ringsFKM (standard);
 EPDM, FFKM (optional)



The user is responsible for determining the chemical suitability of these materials for a specific application.

Electrical

Power Requirements
 4 to 20 mA21.6 to 26.4 VDC, 22.1 mA max.
 Frequency.....5 to 26.4 VDC, 15 mA max.
 Digital (S³L).....5 to 6.5 VDC, 15 mA max.
 Reverse polarity and short circuit protected

Current output (4 to 20 mA)

Loop Accuracy32 µA max. error (25 °C @ 24 VDC)
 IsolationLow voltage < 48 VAC/DC from
 electrodes and auxiliary power
 Max cable300 m (1000 ft)
 Error condition22.1 mA
 Max. Loop Resistance.....300 Ω
 Compatible with PLC, PC or similar equipment

Frequency output

Max. Pull-up Voltage.....30 VDC
 Compatible with Signet 8900, 9900, 9900-1BC, 9950

Digital (S³L) Output

Serial ASCII, TTL level 9600 bps
 Compatible with Signet 8900, 9900, 9950 and 0486 Profibus
 Concentrator
 Max. cable lengthApplication dependent (See 8900 manual)

Environmental Requirements

Enclosure.....NEMA 4X / IP65 (with cap installed)
 CasePBT
 Display.....Polyamide
 Storage Temperature.....-20 °C to 70 °C (-4 °F to 158 °F)
 Relative Humidity.....0 to 95% (non-condensing)
 Operating Temperature
 Ambient.....-10 °C to 70 °C (14 °F to 158 °F)
 Media0 °C to 85 °C (32 °F to 185 °F)
 Maximum
 Operating pressure10.3 bar @ 25 °C (150 psi @ 77 °F)
 1.4 bar @ 85 °C (20 psi @ 185 °F)

Standards and Approvals

- CE, UL/CUL
- NSF (3-2551-P versions only)
- RoHS compliant
- China RoHS (visit gfsignet.com for details)
- Manufactured under ISO 9001 for Quality, ISO 14001 for Environmental Management and OHSAS 18001 for Occupational Health and Safety.

FC Declaration of Conformity according to FCC Part 15

This device complies with Part 15 of the FCC rules.
 Operation is subject to the following two conditions:
 (1) This device may not cause harmful interference, and,
 (2) This device must accept any interference received,
 including interference that may cause undesired operation.

Quick Start

This manual contains the general installation, wiring and calibration data for the Signet 2551-XX-11 Magmeter with Frequency or Digital (S³L) data output, and for the Signet 2551-XX-12 Magmeter with 4 to 20 mA output. The basic steps are outlined on this page. See each referenced section for detailed information.

1. Configure the Hardware

2551-XX-11 ONLY: Position this Jumper to select Digital (S³L) output or Frequency output. Pg. 5.

2. Position the PIPE SIZE jumper according to your pipe size. Pg. 5.

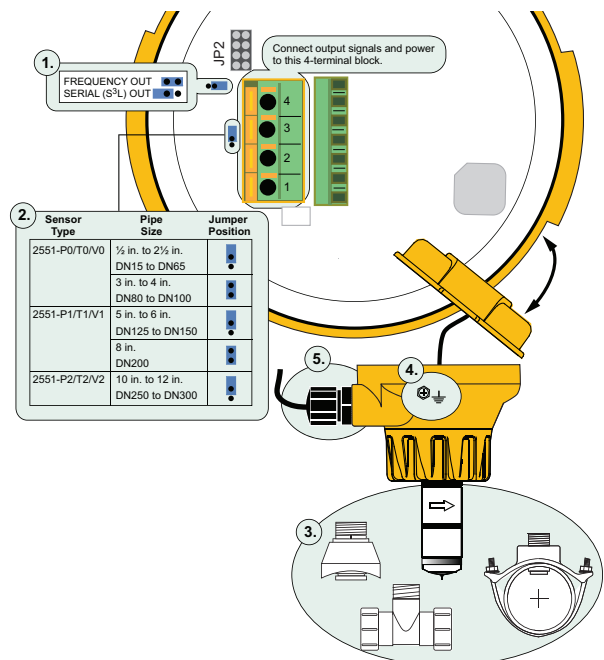
3. Install the Magmeter into the pipe. Use Signet installation fittings ONLY. The installation fitting is critical to Magmeter performance. Pg. 4.

4. Connect POWER and OUTPUT wiring.

Frequency out: Pg. 7.
 Digital (S³L) out: Pg. 7.
 4 to 20 mA out: Pg. 6.

GROUNDING Without a good earth ground, the Magmeter may not operate efficiently. Pg. 6.




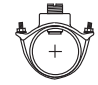




5. Route the wiring out through the two cable ports. Use appropriate hardware to secure the 2551 from moisture intrusion. One Liquid Tight Connector is included. Pg. 5.



Installation

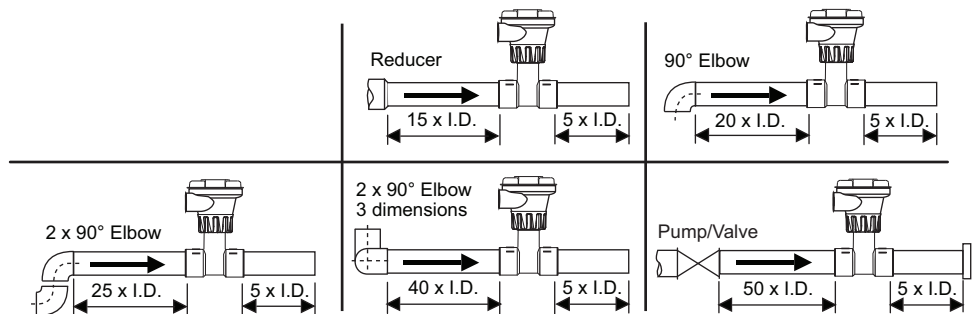
Pipe fittings

Georg Fischer offers a wide selection of installation fittings that control the position of the Magmeter electrodes in relation to the dimensions of the pipe. You will find a complete list of order numbers for installation fittings in the Calibration Tables on pages 8, 9.

Type	Description
 Plastic tees	<ul style="list-style-type: none"> 0.5 in. to 2 in. versions MPVC or CPVC
 PVC Glue-on Saddles	<ul style="list-style-type: none"> 10 in. and 12 in. only Cut 2½ in. hole in pipe Weld in place using solvent cement
 PVC Clamp-on Saddles	<ul style="list-style-type: none"> 2 in. to 4 in., cut 1-7/16 inch hole in pipe 6 in. to 8 in., cut 2-1/8 in. hole in pipe
 Iron Strap-on saddles	<ul style="list-style-type: none"> 2 in. to 4 in., cut 1-7/16 inch hole in pipe Over 4 inch, cut 2-1/8 inch hole in pipe Special order 14 in. to 36 in.
 Iron, Carbon Steel & 316 Stainless Steel Threaded Tees	<ul style="list-style-type: none"> 0.5 in. to 2 in. versions Mounts on Threaded pipe ends
 Carbon steel & Stainless Steel Weld-on Weldolets	<ul style="list-style-type: none"> 2 in. to 4 in., cut 1-7/16 inch hole in pipe Over 4 inch, cut 2-1/8 inch hole in pipe
 Fiberglass Tees FPT	<ul style="list-style-type: none"> 1.5 in. to 2 in. PVDF insert
 Union Fittings and Wafers	<ul style="list-style-type: none"> For pipes from DN 15 mm to 50 mm PP or PVDF

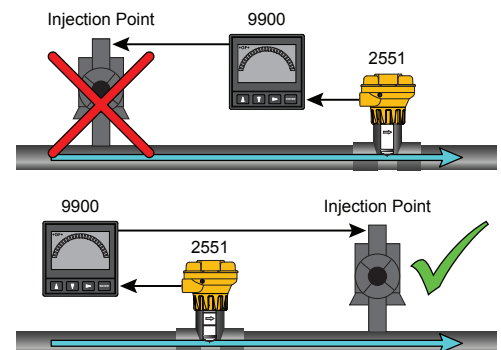
Location of Fitting

To ensure the fluid velocity profile is Fully Developed, without distortion from piping system components, please adhere to the recommended straight run geometry.



Selecting a Location

- The 2551 requires a full pipe and a fully developed turbulent flow profile for accurate measurement.
- In vertical installations, assemble the 2551 so the conduit ports are facing downward. This prevents condensation inside the conduit from being directed into the 2551 electronics housing.
- Chemical injection systems can temporarily alter the fluid conductivity and cause anomalies in the magmeter measurement.
- To avoid this problem, install the magmeter UPSTREAM of the injection point.



Sensor Mounting Position

Horizontal pipe Runs

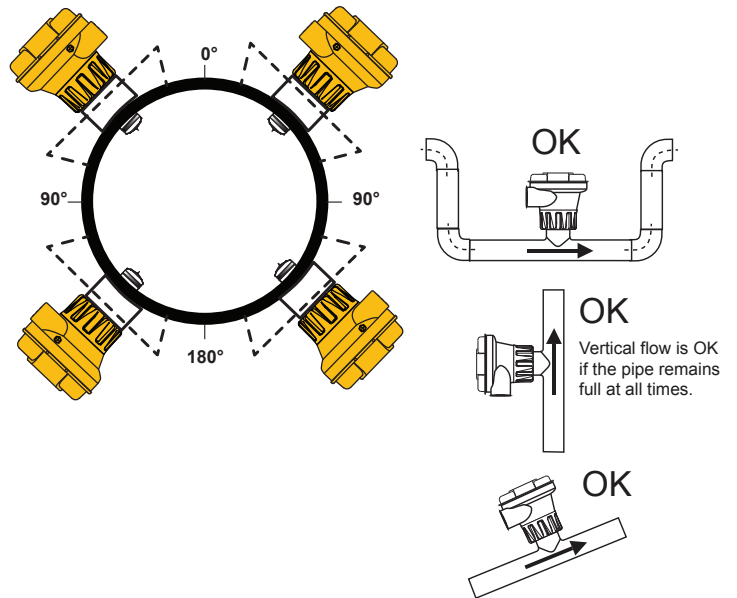
To minimize adverse effects of air pockets, sediment, or excessive rotor wear (Paddlewheels), avoid mounting the flow sensor at the top of the pipe (0°), bottom of pipe (180°), or the sides (90° from vertical).

Vertical Pipe Runs

Mount flow sensors in any direction. To ensure pipe is flowing full, with some back pressure, it's highly recommended the fluid flow is upward.

Gravity and Discharge Lines

It's recommended to install a trap to ensure pipe is full during flow conditions, and to minimize air pockets.



Hardware Configuration

Whether using the 2551-XX-11 (with frequency or Digital (S³L) output) or the 2551-XX-12 (with 4 to 20 mA output), the wiring terminals located on the inside of the yellow cover are identical. All of the connections from the Magmeter to external equipment (PLC, Datalogger, Chart Recorder, Flow meter, etc.) are made at the large 4-position terminal connector.

When the cover is removed the wiring from the sensor can be seen connected to the smaller terminal block. These connections should always remain connected to prevent inadvertent damage or miswiring.

The terminals on the 2551 Magmeter are designed for conductors from 16 AWG to 22 AWG.



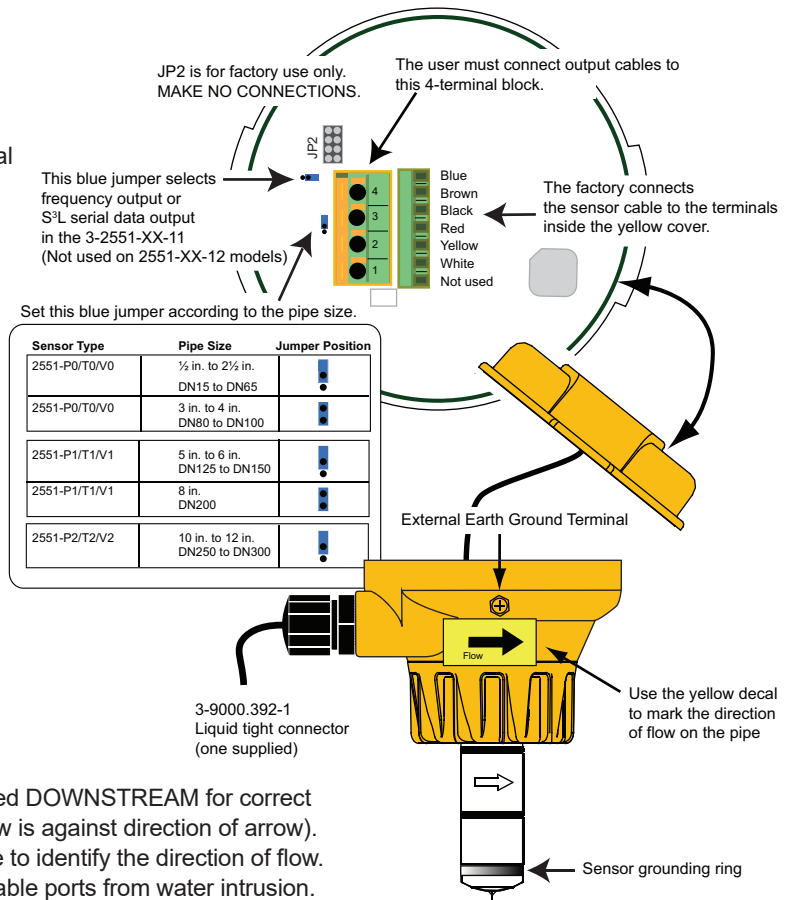
WARNING!

If the second conduit port is used, carefully drill the opening. (The plastic is too strong to be punched out.)

- Secure the Magmeter in a vise to prevent damage or injury.
- The plastic inside the port is very thin. Do not allow the drill to penetrate too deeply and damage the Magmeter wiring.

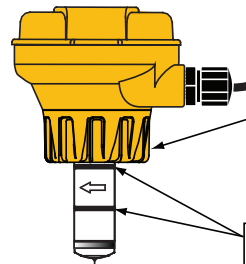
Important:

- The directional arrow on the sensor body MUST be pointed DOWNSTREAM for correct operation. (Digital (S³L) and 4 to 20 mA will not work if flow is against direction of arrow).
- The FLOW arrow decal can be placed directly on the pipe to identify the direction of flow.
- Use a cable gland or a liquid tight connector to seal the cable ports from water intrusion.
- The yellow housing may be reversed to align the conduit ports as required.
- If the Magmeter is installed on a vertical pipe, the conduit ports should be turned to point downward.
- This will prevent condensation from being channeled into the enclosure.
- Use plumber's tape or a suitable sealant on cable ports.



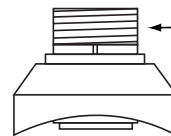
FAILURE TO FOLLOW THESE INSTRUCTIONS MAY RESULT IN THE SENSOR BEING EJECTED FROM THE PIPE!

- DO NOT USE ANY TOOLS ON THE RETAINING CAP. HAND TIGHTEN ONLY.
- LUBRICATE O-RINGS WITH A NON-PETROLEUM BASED, VISCOUS LUBRICANT (GREASE) COMPATIBLE WITH THE SYSTEM.
- DO NOT USE THREAD SEALANT OR LUBRICANTS ON THE RETAINING CAP OR ON THE PLASTIC FITTING THREADS.
- IF LEAKING IS OBSERVED FROM THE RETAINING CAP, IT INDICATES DEFECTIVE OR WORN O-RINGS ON THE SENSOR. DO NOT ATTEMPT TO CORRECT BY FURTHER TIGHTENING.



Do not use any tools to tighten the yellow retaining cap. DO NOT USE thread sealant or lubricants on retaining cap!

Lubricate O-rings with a viscous non-petroleum based lubricant (grease) compatible with the system.



DO NOT USE thread sealant or lubricants on the fitting threads.

CHEMICAL COMPATIBILITY WARNING

The retaining nuts of Magmeters are not designed for prolonged contact with aggressive substances. Strong acids, caustic substances and solvents or their vapor may lead to failure of the retaining nut, ejection of the sensor and loss of the process fluid with possibly serious consequences, such as damage to equipment and serious personal injury. Retaining nuts that may have been in contact with such substances, e.g. due to leakage or spilling, must be replaced.

General Installation and Grounding Tips

Sensor conditioning

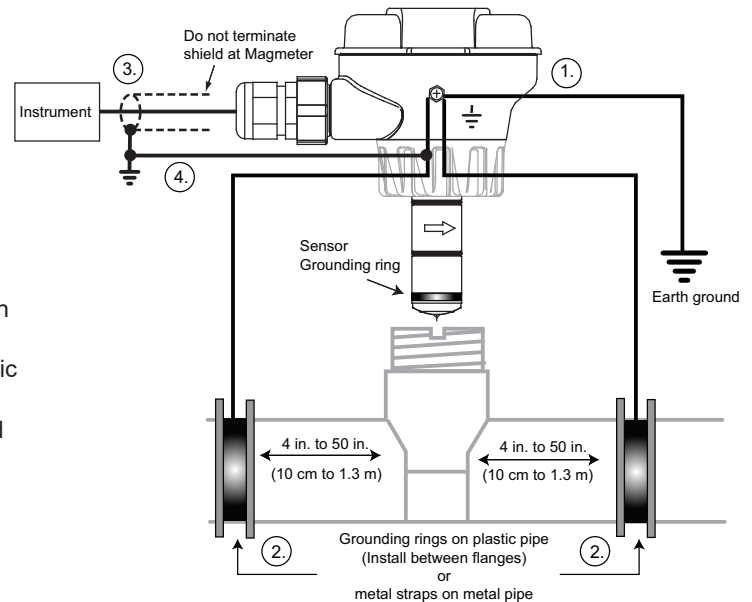
The Magmeter output signal may be unstable immediately after installation. Allowing the sensor to soak in a full pipe (or in any container of water) for 24 hours will stabilize the performance.

- Very low conductivity fluids may require a longer conditioning period. (The Magmeter will not operate properly in fluids where the conductivity is less than 20 $\mu\text{S}/\text{cm}$.)

Grounding

The 2551 Magmeter is unaffected by moderate levels of electrical noise. However, in some applications it may be necessary to ground portions of the system to eliminate electrical interference. The grounding requirements will vary with each installation.

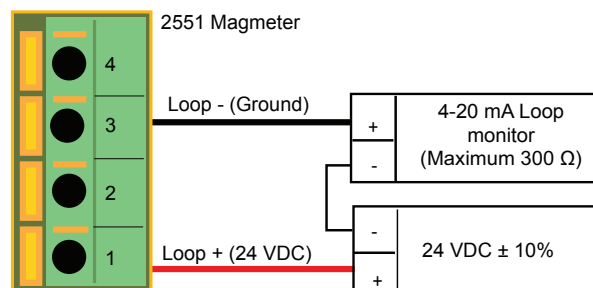
1. One or more of the following steps may be applied if the 2551 Magmeter is affected by electrical noise:
 - The ground terminal on the outside of the yellow housing is connected internally to the grounding ring at the tip of the sensor.
 - Connect a wire (14 AWG/2.08 mm^2 recommended) from this terminal directly to a local Earth ground.
2. Install fluid grounding devices immediately upstream and downstream of the Magmeter.
 - Connect the fluid grounds to the Earth ground terminal on the 2551.
 - Use flanged grounding rings or metal electrodes on plastic pipes, or metal clamps on metal pipes.
 - Fluid grounds must be in direct contact with the fluid, and as near to the Magmeter as possible.
3. The shield from the output cable must be terminated at the remote instrument ONLY. This shield must be connected at only one end!
4. Connect an additional wire (minimum AWG 14/2.08 mm^2) from the remote instrument ground to the Magmeter ground terminal.



Wiring with 4 to 20 mA Loop Output

The 2551-XX-12 Magmeter is a traditional 2-wire passive 4 to 20 mA loop transmitter.

- External loop power (24 VDC \pm 10%) is required. See Ordering Information for power supplies.
- **The maximum loop resistance the Magmeter can accommodate is 300 Ω .**
- All 2551-XX-12 Magmeters are shipped from the factory with the 4 to 20 mA output scaled for 0 to 5 m/s (0 to 16.4 ft/s). If this operating range is suitable, no adjustments are necessary.
- The Calibration Tables on pages 8-9 list the 20 mA setpoint for each installation fitting. Use this information to program the 4 to 20 mA range of the loop device (PLC, Datalogger, recorder, etc.)
- The 3-0252 USB to Digital (S³L) Configuration/Diagnostic Tool is required to change the operating range.

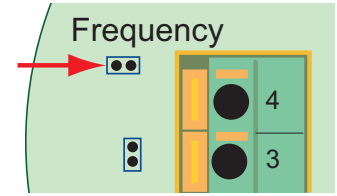


Wiring with Frequency or Digital (S³L) Output

Frequency output (Compatible with all POWERED Signet Flow instruments.)

- When the blue jumper illustrated here is placed over both pins, the 2551-XX-11 outputs an open collector frequency signal that can be connected to any powered Signet flow meter (models 8900, 9900, 9900-1BC, 9950).
- 5 VDC power is provided to the 2551 Magmeter by all Signet flow instruments. No additional power is required.
- **The frequency output will be displayed as positive flow regardless of the flow direction.**

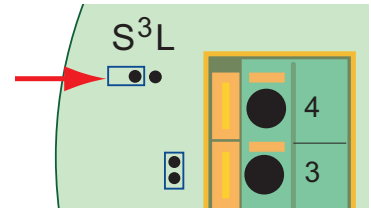
Blue Jumper ON = FREQ OUT



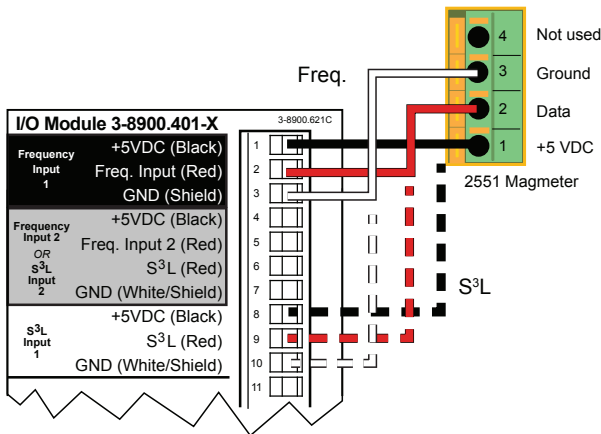
Digital (S³L) Output (Compatible with 8900 Multi-Parameter Controller, 9900 and 9950 Transmitter)

- When the blue jumper illustrated here is removed (or placed over one pin for storage) the 2551-XX-11 outputs a Digital (S³L) signal compatible with the Signet 8900, 9900 and 9950.
- The 2551 receives 5 VDC power from the 8900, 9900 or 9950. No additional power is required.
- **The 8900 will display 0 (Zero) flow rate during periods of reverse flow. The 9900 will display negative numbers to indicate reverse flow.**
- The maximum cable length from the 2551 to the 8900 or 9900 depends on the 8900 or 9900 configuration. Refer to the 8900, 9900 or 9950 manual for complete information.

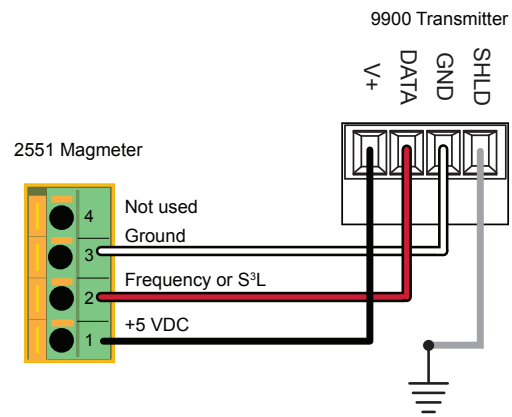
Blue Jumper OFF = S³L OUT



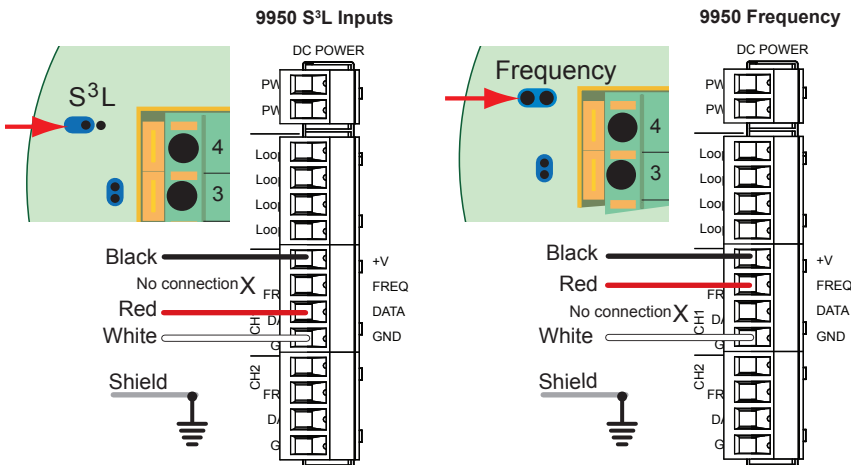
2551 Wiring to Signet 8900



2551 Wiring to Signet 9900 and 9900-1BC



2551 Wiring to Signet 9950



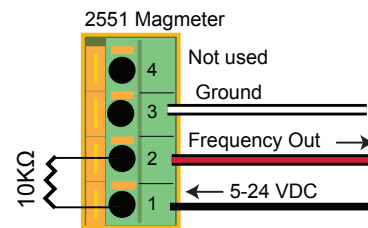
Sensor Terminal	Signal
1	Black (+V)
2	Red (S3L/Freq)
3	White (GND)
4	Not Used

Refer to the 0486 Profibus Concentrator manual for Frequency or Digital (S³L) wiring and programming instructions.

Wiring with Frequency Other Manufacturer's Equipment

2551 Frequency Out to other manufacturer's equipment

- If connecting the 2551 Magmeter to a flow instrument from another manufacturer, 5 to 24 VDC power must be provided to the 2551.
- A 10 K Ω pull-up resistor (not supplied) must also be connected between terminals 1 and 2.



Install a pull-up resistor when connecting the 2551 Magmeter to other manufacturer's flowmeters.

Calibration and Software Configuration

No calibration is necessary to begin using the 2551. The application and performance settings are pre-set to meet the requirements of most applications.

The 2551 application and performance settings can be customized using the Signet 3-0252 Configuration Tool and software. Refer to the Signet 3-0252 ConfigurationTool manual for details to adjust the following parameters:

- **4 to 20 mA span:** Factory setting is 0 to 5 m/s. Can be customized to any range.
- **Noise Rejection Filter:** Factory set for 60 Hz. Can be changed to 50 Hz.
- **Low Flow Cutoff:** Factory setting is 0.05 m/s. Can be customized to any velocity.
- **Averaging Time:** Factory setting is 14 seconds. Can be customized from 0.1 seconds to 100 seconds.
- **Sensitivity:** Factory setting is 25% of full scale. Can be customized to any % of full scale.

Averaging and Sensitivity

Even the most carefully engineered flow systems may experience erratic and unstable conditions. If the instability is communicated to the output functions, the results may create problems for control devices.

To alleviate these issues, the 2551 provides two adjustments that operate in tandem. The information here will help in determining the appropriate settings for any specific application.

Averaging

- The AVERAGING setting dictates the time over which the magmeter will average the flow signal.
- The LCD display is updated every second. With averaging at 14 seconds, the flow rate on the display is an average of the previous 14 seconds input.
- Short averaging times provide the fastest display and output response to changes in the flow rate.
- Higher averaging times help to smooth the display and current output where the flow in the pipe is erratic or unstable due to installation limitations.

Sensitivity

- The SENSITIVITY setting determines how the 2551 responds to sudden surges in the flow rate. It "overrides" the Averaging function just long enough to allow an actual change in flow rate to be displayed, then resumes the averaging. The result is a smooth flow display and a quick response to large shifts in the flow rate.
- The settings for Sensitivity represent a percentage of the magmeter's maximum range, or 10 meters per second (m/s).
- Example: A sensitivity setting of 25% means that the flow rate must change instantly and by more than 2.5 m/s before the function is enabled.

NOTE: The SENSITIVITY function is ineffective if the AVERAGING function is set to zero.

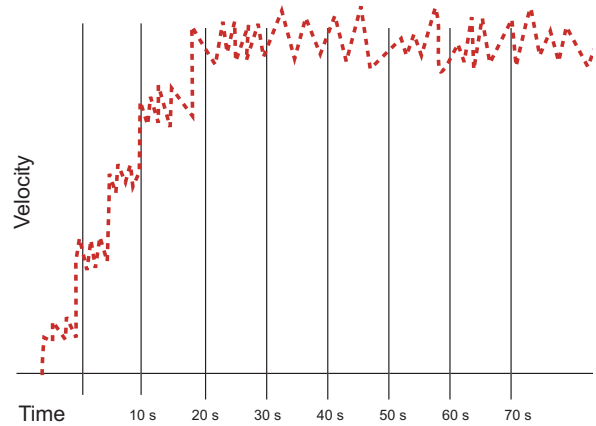


CAUTION

The SENSITIVITY function changes the response characteristics of the magmeter. If used as part of a tuned closed loop control system, such a change may be undesirable.

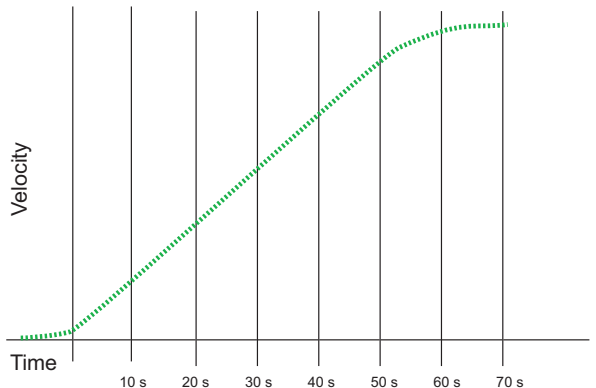
No Averaging

With AVERAGING set to zero, the flow rate will be displayed immediately and with no filtering. This line represents the actual output of the flow sensor as it responds to unstable flow conditions in the pipe.



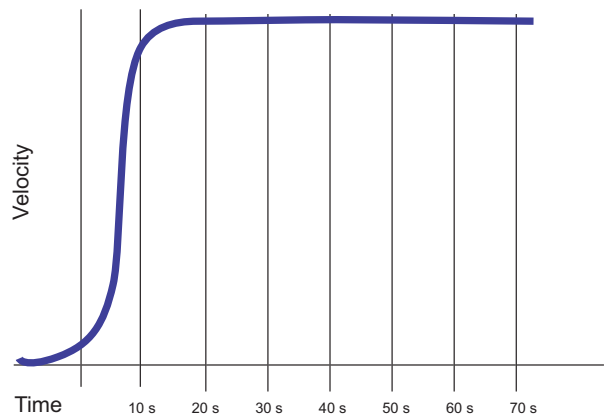
Averaging Only

With AVERAGING set to 50 seconds and SENSITIVITY still set to zero the flow rate is stabilized, but a sharp change in flow rate is not represented on the display or at the output for 50 seconds or longer.

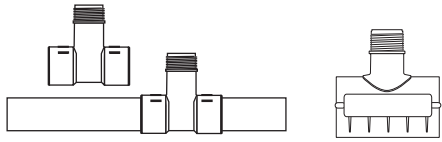


Averaging and Sensitivity

With AVERAGING at 50 seconds and SENSITIVITY set to 25%, the flow rate is stabilized, while the sudden shift in flow is reflected very quickly.



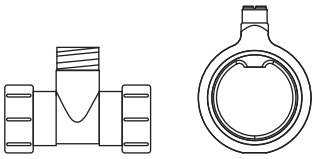
Calibration Data: K-Factors and Full Scale Current Values



Plastic Installation Fittings: PVC Tees and Saddles

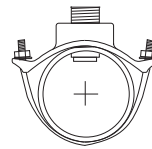
PIPE SIZE (IN.)	FITTING TYPE	PULSE / U.S. GAL	PULSE / LITERS	"GPM at 20mA Factory setting "	"LPM at 20mA Factory setting "
SCH 80 PVC-U TEES FOR SCH 80 PVC PIPE					
1/2	MPV8T005	2277.00	601.58	12	45
3/4	MPV8T007	1407.60	371.90	22	84
1	MPV8T010	861.17	227.52	37	139
1-1/4	MPV8T012	464.91	122.83	66	248
1-1/2	MPV8T015	331.43	87.56	90	342
2	MPV8T020	192.89	50.96	151	572
SCH 80 PVC TEES FOR SCH 80 PVC PIPE					
2-1/2	PV8T025	131.46	34.73	217	820
3	PV8T030	82.52	21.80	338	1278
4	PV8T040	44.78	11.83	588	2225
SCH 80 CPVC TEES FOR SCH 80 CPVC PIPE					
1/2	MCPV8T005	2496.03	659.45	12	45
3/4	MCPV8T007	1381.48	364.99	22	84
1	MCPV8T010	857.98	226.68	37	139
1-1/4	MCPV8T012	445.17	117.61	66	248
1-1/2	MCPV8T015	325.56	86.01	90	342
2	MCPV8T020	206.07	54.45	151	572
SCH 80 PVC SADDLES FOR SCH 80 PVC PIPE					
2	PV8S020	193.83	51.21	151	572
2-1/2	PV8S025	138.01	36.46	217	820
3	PV8S030	83.89	22.16	338	1278
4	PV8S040	40.88	10.80	588	2225
6	PV8S060	22.53	5.95	1333	5045
8	PV8S080	12.52	3.31	2335	8838
10	PV8S100	7.94	2.10	3673	13905
12	PV8S120	5.71	1.51	5197	19672
SCH 80 PVC SADDLES FOR SCH 40 PVC PIPE					
2	PV8S020	180.01	47.56	172	651
2-1/2	PV8S025	123.72	32.69	245	927
3	PV8S030	75.81	20.03	378	1433
4	PV8S040	41.87	11.06	652	2469
6	PV8S060	19.71	5.21	1480	5601
8	PV8S080	11.73	3.10	2557	9680
10	PV8S100	7.43	1.96	4032	15262
12	PV8S120	5.23	1.38	5725	21671

Calibration Data: K-Factors and Full Scale Current Values



Plastic Installation Fittings for Metric Pipes: Polypropylene True Union Tees and Wafers PVDF True Union Tees, PVC True Union Tees

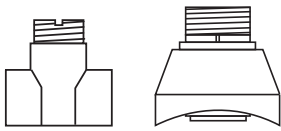
PIPE SIZE (IN.)	FITTING TYPE	PULSE / U.S. GAL	PULSE / LITERS	"GPM at 20mA Factory setting "	"LPM at 20mA Factory setting "
POLYPROPYLENE FITTINGS (DIN/ISO, BS, ANSI)					
DN15	PPMT005	2192.73	579.32	16	62
DN20	PPMT007	1327.81	350.81	26	98
DN25	PPMT010	737.16	194.76	43	162
DN32	PPMT012	453.46	119.81	66	250
DN40	PPMT015	275.03	72.66	104	392
DN50	PPMT020	164.17	43.37	164	623
PVDF FITTINGS (DIN/ISO, BS, ANSI)					
DN15	SFMT005	1946.49	514.26	16	62
DN20	SFMT007	1158.05	305.96	28	106
DN25	SFMT010	749.09	197.91	46	174
DN32	SFMT012	439.51	116.12	77	292
DN40	SFMT015	248.93	65.77	121	456
DN50	SFMT020	146.85	38.80	202	766
PVC FITTINGS (DIN/ISO, BS, ANSI)					
DN15	PVMT005	2067.76	546.30	18	68
DN20	PVMT007	1136.61	300.29	28	106
DN25	PVMT010	716.52	189.31	46	174
DN32	PVMT012	446.07	117.85	72	272
DN40	PVMT015	278.83	73.67	113	428
DN50	PVMT020	159.36	42.10	179	677



Metal Installation Fittings Iron Saddles

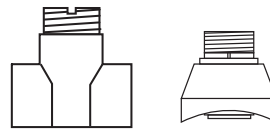
PIPE SIZE (IN.)	FITTING TYPE	PULSE / U.S. GAL	PULSE / LITERS	"GPM at 20mA Factory setting"	"LPM at 20mA Factory setting"
SCH 80 IRON SADDLE ON SCH 80 PIPE					
2	IR8S020	194.85	51.48	151	572
2-1/2	IR8S025	142.28	37.59	217	820
3	IR8S030	87.53	23.13	338	1278
4	IR8S040	40.62	10.73	588	2225
5	IR8S050	29.28	7.74	930	3521
6	IR8S060	22.30	5.89	1333	5045
8	IR8S080	12.52	3.31	2335	8838
10	IR8S100	7.94	2.10	3673	13905
12	IR8S120	5.65	1.49	5197	19672
SCH 80 IRON SADDLE ON SCH 40 PIPE					
2	IR8S020	185.35	48.97	172	651
2-1/2	IR8S025	127.47	33.68	245	927
3	IR8S030	76.62	20.24	378	1433
4	IR8S040	40.23	10.63	652	2469
5	IR8S050	27.32	7.22	1024	3877
6	IR8S060	19.71	5.21	1480	5601
8	IR8S080	11.61	3.07	2557	9680
10	IR8S100	7.36	1.94	4032	15262
12	IR8S120	5.18	1.37	5725	21671

Calibration Data: K-Factors and Full Scale Current Values



Metal Installation Fittings:
Carbon Steel Tees and Weld-o-Lets
Stainless Steel Tees and Weld-o-Lets, Galvanized Iron Tees

PIPE SIZE (IN.)	FITTING TYPE	PULSE / U.S. GAL	PULSE / LITERS	"GPM at 20mA Factory setting"	"LPM at 20mA Factory setting"
CARBON STEEL TEES ON SCH 40 PIPE					
1/2	CS4T005	1572.66	415.50	15	58
3/4	CS4T007	1086.73	287.11	27	102
1	CS4T010	582.34	153.86	44	168
1-1/4	CS4T012	377.48	99.73	76	289
1-1/2	CS4T015	267.79	70.75	104	394
2	CS4T020	167.85	44.35	172	651
STAINLESS STEEL TEES ON SCH 40 PIPE					
1/2	CR4T005	1601.26	423.05	15	58
3/4	CR4T007	937.78	247.76	27	102
1	CR4T010	606.18	160.15	44	168
1-1/4	CR4T012	279.68	73.89	76	289
1-1/2	CR4T015	147.65	39.01	104	394
2	CR4T020	111.90	29.56	172	651
STAINLESS STEEL WELDOLETS ON SCH 40 PIPE					
2-1/2	CR4W025	106.31	28.09	245	927
3	CR4W030	72.27	19.09	378	1433
4	CR4W040	36.84	9.73	652	2469
5	CR4W050	29.28	7.73	1024	3877
6	CR4W060	20.29	5.36	1480	5601
8	CR4W080	11.73	3.10	2557	9680
10	CR4W100	7.45	1.97	4032	15262
12	CR4W120	5.24	1.39	5725	21671
CARBON STEEL WELDOLETS ON SCH 40 PIPE					
2-1/2	CS4W025	105.70	27.93	245	927
3	CS4W030	70.68	18.67	378	1433
4	CS4W040	36.38	9.61	652	2469
5	CS4W050	29.28	7.73	1024	3877
6	CS4W060	20.29	5.36	1480	5601
8	CS4W080	11.73	3.10	2557	9680
10	CS4W100	7.45	1.97	4032	15262
12	CS4W120	5.24	1.39	5725	21671
GALVANIZED IRON TEES ON SCH 40 PIPE					
1	IR4T010	558.50	147.56	44	168
1-1/4	IR4T012	334.45	88.36	76	289
1-1/2	IR4T015	248.97	65.78	104	394
2	IR4T020	146.00	38.57	172	651



Metal Installation Fittings:
Bronze and Copper Tees and Brazolets

PIPE SIZE (IN.)	FITTING TYPE	PULSE / U.S. GAL	PULSE / LITERS	"GPM at 20mA Factory setting"	"LPM at 20mA Factory setting"
BRONZE TEES ON SCH 40 PIPE					
1	BR4T010	582.34	153.86	44	168
1-1/4	BR4T012	330.54	87.33	76	289
1-1/2	BR4T015	254.76	67.31	104	394
2	BR4T020	157.36	41.58	172	651
COPPER TEES FITTING ON COPPER PIPE SCH K					
1/2	CUKT005	2459.19	649.72	11	42
3/4	CUKT007	1108.02	292.74	22	84
1	CUKT010	649.87	171.70	40	150
1-1/4	CUKT012	422.03	111.50	62	236
1-1/2	CUKT015	281.43	74.35	88	333
2	CUKT020	136.02	35.94	154	583
COPPER TEES FITTING ON COPPER PIPE SCH L					
1/2	CUKT005	2406.30	635.75	11	42
3/4	CUKT007	1174.77	310.37	22	84
1	CUKT010	672.28	177.62	40	150
1-1/4	CUKT012	402.84	106.43	62	236
1-1/2	CUKT015	294.99	77.94	88	333
2	CUKT020	149.63	39.53	154	583
COPPER/BRONZE BRAZOLET ON SCH 40 PIPE					
2-1/2	BR4B025	117.31	30.99	245	927
3	BR4B030	78.62	20.77	378	1433
4	BR4B040	45.13	11.92	652	2469
5	BR4B050	32.79	8.66	1024	3877
6	BR4B060	22.73	6.01	1480	5601
8	BR4B080	13.14	3.47	2557	9680
10	BR4B100	8.34	2.20	4032	15262
12	BR4B120	5.87	1.55	5725	21671

Maintenance

The 2551 Magmeter requires very little maintenance. There are no user-serviceable components in the Magmeter.

- If the fluid contains deposits and solids that may coat the electrodes, a regular cleaning schedule is recommended.
- Do not use abrasive materials on the metal electrodes. Clean with soft cloth and mild detergent only.
- Use a cotton swab and mild detergent to remove deposits on the metal electrodes at the tip of the sensor.

Environmental Recommendations:

- When used properly, this product presents no inherent danger to the environment.
- Please follow local ordinances when disposing of this or any product with electronic components.

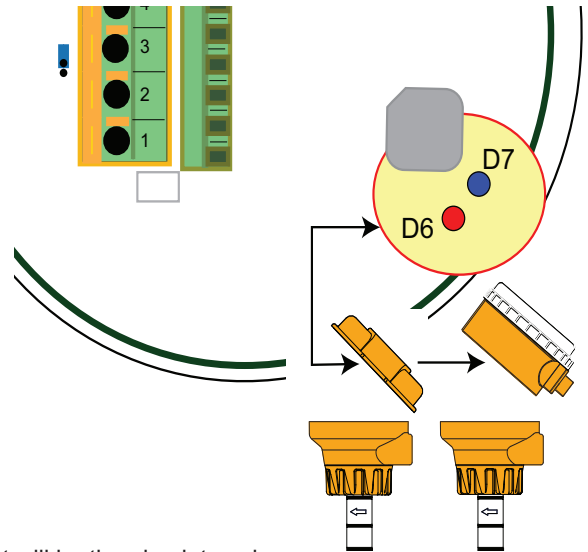
Troubleshooting

Symptom	Possible Cause	Solution
Output is erratic and unstable.	Magmeter installed too close to upstream obstruction.	Relocate the magmeter to have straight uninterrupted pipe upstream of the sensor for at least 10 x the pipe diameter.
	Magmeter located in area exposed to air bubbles/pockets.	Eliminate air bubbles in the pipe.
	Magmeter is installed in pipe backwards.	Remove the magmeter and reinstall with the flow direction arrow on the sensor body pointed DOWNSTREAM.
	Electrical noise is interfering with the measurement.	Review the grounding of the magmeter and the pipe. Install adequate Earth ground to allow the Magmeter to operate properly.
	Electrodes are coated with solids.	Carefully clean the electrodes. Refer to sensor manual for details.
	New sensor; metal surface not properly conditioned.	Soak sensor overnight in fluid.
Output is not 0 when flow is stopped.	Electrodes not adequately conditioned.	Soak sensor overnight in fluid.
	Vibration or other movement in pipe causes magmeter to detect flow.	Increase the Low Flow Cutoff.
	Electrical noise interference.	Modify grounding to protect the Magmeter from interference.
	Defective Magmeter.	Return to factory for service.
4-20 mA current output is incorrect.	Loop device not scaled same as Magmeter.	Use 3-0252 Setup tool to re-span the Magmeter to match Loop device. Re-span Loop device to match Magmeter.
	Range Jumper not placed correctly.	Set Range Jumper correctly.
	Defective Magmeter.	Return to factory for service
Frequency output is inoperative	2551 is wrong model.	Frequency/S ³ L model: 3-2551-XX-11
Digital (S ³ L) output is inoperative.	Blue jumper not in correct position.	Place blue jumper correctly. (Pg. 4)
	Wiring is not correct.	Check wiring, make corrections. (Pg. 7)
Loop output is inoperative.	Frequency input to other manufacturer's flow instrument does not have pull-up resistor.	Install 10 kΩ resistor. (Pg. 7)
Output is 22.1 mA	Conductivity is less than 20 μS/cm (the fluid is too clean for Magmeter).	Unsuitable application for Magmeter.
	Electronic component failure.	Return 2551 to factory.

Troubleshooting continued

Troubleshooting with the RED and BLUE LEDs

Both Off:	The power is off or the sensor is not connected.
Solid Blue:	The power is on, the pipe is full, but there is no flow in the pipe.
Blinking Blue:	Normal operation, blink rate is proportional to the flow rate.
Alternating Red-Blue:	Empty pipe indication (electrodes are not wet).
Blinking Red:	System errors (electrical noise interference).
Solid Red:	Instrument error (defective electronics component).



If the 2551 detects an empty pipe:

- Frequency output will be locked to 0 Hz if electrodes are not wet.
- Digital (S³L) output will be locked to 0 if electrodes are not wet.
- 4 to 20 mA will be locked to 4 mA if electrodes are not wet.
- Blue and red LEDs will blink alternately if electrodes are not wet.

If the 2551 detects REVERSE FLOW:

- Frequency out cannot distinguish reverse flow from forward flow. The output will be the absolute value.
- With Digital (S³L) output, reverse flow results in 0 flow rate displayed on 8900 or with negative numbers on the 9900 and 9950.
- 4-20 mA output can be spanned into negative flow range using the USB Configuration Tool and software.
(Page 7) (example: 4-20 mA = -100 to +100 GPM).

Ordering Information

Accessories and Replacement Parts

Mfr. Part No.	Code	Description
O-Rings		
1220-0021	198 801 000	O-ring, FKM (2 required per sensor)
1224-0021	198 820 006	O-ring, EPR (EPDM) (2 required per sensor)
1228-0021	198 820 007	O-ring, FFKM (2 required per sensor)
Replacement Transducers		
3-2551-P0	159 001 211	PP/316L SS, DN15 to DN100 (½ to 4 in.) pipe
3-2551-P1	159 001 212	PP/316L SS, DN125 to DN200 (5 to 8 in.) pipe
3-2551-P2	159 001 444	PP/316L SS, DN250 to DN900 (10 to 36 in.) pipe
3-2551-T0	159 001 213	PVDF/Titanium, DN15 to DN100 (½ to 4 in.) pipe
3-2551-T1	159 001 214	PVDF/Titanium, DN125 to DN200 (5 to 8 in.) pipe
3-2551-T2	159 001 445	PVDF/Titanium, DN250 to DN900 (10 to 36 in.) pipe
3-2551-V0	159 001 376	PVDF/Hastelloy-C, DN15 to DN100 (½ to 4 in.) pipe
3-2551-V1	159 001 377	PVDF/Hastelloy-C, DN125 to DN200 (5 to 8 in.) pipe
3-2551-V2	159 001 446	PVDF/Hastelloy-C, DN250 to DN900 (10 to 36 in.) pipe
Replacement Electronics Module		
3-2551-11	159 001 215	Magmeter electronics, frequency or digital (S ³ L) output
3-2551-12	159 001 216	Magmeter electronics, 4 to 20 mA output
3-2551-21	159 001 372	Magmeter display electronics, frequency or digital (S ³ L) output, with relays
3-2551-22	159 001 373	Magmeter display electronics, 4 to 20 mA output w/relays
3-2551-41	159 001 374	Magmeter display electronics, frequency or digital (S ³ L) output
3-2551-42	159 001 375	Magmeter display electronics, 4 to 20 mA output
Other		
P31536	198 840 201	Sensor plug, Polypropylene
7310-1024	159 873 004	24 VDC Power Supply, 0.42 A, 10W
7310-2024	159 873 005	24 VDC Power Supply, 1.0 A, 24W
7310-4024	159 873 006	24 VDC Power Supply, 1.7 A, 40W
7310-6024	159 873 007	24 VDC Power Supply, 2.5 A, 60W
7310-7024	159 873 008	24 VDC Power Supply, 4.0 A, 96W
3-8050.390-1	159 001 702	Retaining Nut Replacement Kit, NPT, Valox
3-8050.390-3	159 310 116	Retaining Nut Replacement Kit, NPT, PP
3-8050.390-4	159 310 117	Retaining Nut Replacement Kit, NPT, PVDF
3-9000.392-1	159 000 839	Liquid-tight connector kit, 1 set, ½ in. NPT
3-0252	159 001 808	0252 Configuration tool

Ordering Information

4 to 20 mA output

Mfr. Part No.	Code	Description
3-2551-P0-12	159 001 110	DN15 to DN100 (½ to 4 in.), Polypropylene and 316L SS
3-2551-T0-12	159 001 113	DN15 to DN100 (½ to 4 in.), PVDF and Titanium
3-2551-V0-12	159 001 259	DN15 to DN100 (½ to 4 in.), PVDF and Hastelloy-C
3-2551-P1-12	159 001 111	DN125 to DN200 (5 to 8 in.), Polypropylene and 316L SS
3-2551-T1-12	159 001 114	DN125 to DN200 (5 to 8 in.), PVDF and Titanium
3-2551-V1-12	159 001 260	DN125 to DN200 (5 to 8 in.), PVDF and Hastelloy-C
3-2551-P2-12	159 001 112	DN250 to DN900 (10 to 36 in.), Polypropylene and 316L SS
3-2551-T2-12	159 001 449	DN250 to DN900 (10 to 36 in.), PVDF and Titanium
3-2551-V2-12	159 001 451	DN250 to DN900 (10 to 36 in.), PVDF and Hastelloy-C

Frequency or Digital (S³L) output programmable open collector

Mfr. Part No.	Code	Description
3-2551-P0-11	159 001 105	DN15 to DN100 (½ to 4 in.), Polypropylene and 316L SS
3-2551-T0-11	159 001 108	DN15 to DN100 (½ to 4 in.), PVDF and Titanium
3-2551-V0-11	159 001 257	DN15 to DN100 (½ to 4 in.), PVDF and Hastelloy-C
3-2551-P1-11	159 001 106	DN125 to DN200 (5 to 8 in.), Polypropylene and 316L SS
3-2551-T1-11	159 001 109	DN125 to DN200 (5 to 8 in.), PVDF and Titanium
3-2551-V1-11	159 001 258	DN125 to DN200 (5 to 8 in.), PVDF and Hastelloy-C
3-2551-P2-11	159 001 107	DN250 to DN900 (10 to 36 in.), Polypropylene and 316L SS
3-2551-T2-11	159 001 448	DN250 to DN900 (10 to 36 in.), PVDF and Titanium
3-2551-V2-11	159 001 450	DN250 to DN900 (10 to 36 in.), PVDF and Hastelloy-C



Georg Fischer Signet LLC, 3401 Aero Jet Avenue, El Monte, CA 91731-2882 U.S.A. • Tel. (626) 571-2770 • Fax (626) 573-2057
For Worldwide Sales and Service, visit our website: www.gfsignet.com • Or call (in the U.S.): (800) 854-4090
For the most up-to-date information, please refer to our website at www.gfsignet.com