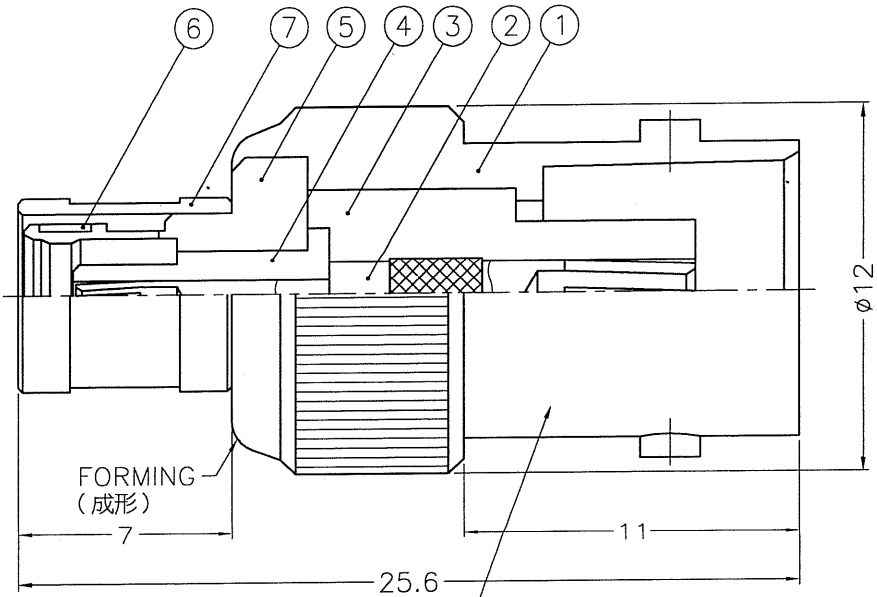


1 2 3 4 5 6 7 8

REVISIONS		
ISS	ZONE	DESCRIPTION\PER REQUEST\DATE



NOTES: FINISH (PLATING THICKNESS IN MICRO-INCHES)
 1. BRASS PER QQ-B-626
 2. NICKEL PL. 100 MIN. THICK OVER COPPER STRIKE
 3. BERYLLIUM COPPER PER QQ-C-530
 4. GOLD PL. 3 MIN. THICK OVER NICKEL PL. 100 MIN. THICK OVER COPPER STRIKE
 5. TEFLON MIL-P-19468

STAMP (IF ANY)
 噴字 (若有要求)

NO.	DESCRIPTION	MATERIAL	FINISH	Q'TY	DRAWING NO.	
7	SHELL		NOTE 1	NOTE 4	1	SMB5000-1
6	RETAINER RING		NOTE 3	NATURAL	1	SMB5000-6
5	BODY		NOTE 1	NOTE 4	1	BF-SMBF-4
4	INSULATOR		NOTE 5	NATURAL	1	NS12AAU01A
3	INSULATOR		NOTE 5	NATURAL	1	NS12AAV01A
2	CONTACT PIN		NOTE 3	NOTE 4	1	BF-SMBF-2
1	BODY		NOTE 1	NOTE 2	1	SMAF-BF1-1

DIMENSIONS ARE IN MILLIMETERS				PART NO.	
UNLESS OTHERWISE SPECIFIED TOLERANCES 0.5-6 = ±0.2 6-30 = ±0.4 30-120 = ±0.6 120-315 = ±1 315-1000 = ±1.6 1000-2000 = ±2.4				APPROVED	DATE
				CHECKED	DATE
				DRAWN	DATE
				FILE NO.	F:\DWG\BF\SMBF\50\N3GT3GSZ

Amphenol	
Danbury,CT,USA-Tainan,Taiwan-Shenzhen,China	
TITLE BNC FEMALE TO SMB FEMALE ADAPTOR	
DRAWING NO. BF-SMBF-N/3GT3G-50	
ITEM NO. 01F-12F1-NF-5-F	

F
E
D
C
B
A

F
E
D
C
B
A