



Product designation				SLIM RELAY+SOCKET HRA10
Product type designation				HRA10
Contact characteristics				
Contact configuration				1 C/O
Rated insulation voltage U_i IEC/EN	V			250
Rated impulse withstand voltage U_{imp}	kV			4
IEC Conventional free air thermal current I_{th}	A			6
Maximum instantaneous current	A			20 (500ms)
Rated current (I_n)	A			6
Relay control voltage	V			24VAC/VDC
UL/CSA and IEC/EN 60947-5-1 designation				B300 – R300
UL rating				6A 277VAC; 6A 30VDC
Max contrrollable power in		AC-1	W	1500
		AC-15	VA	360
Rated operating power AC-1			VA	1500
Rated operating power AC-15			VA	360
	230 VAC		VA	360
Single-phase motor control			kW	0.186
	230VAC		kW	0.186
Rated operating current DC-1		30V	A	6
		110V	A	0.2
		220V	A	0.12
Minimum switching load		V / mA	5 / 100	
Contact impedance		m Ω	100	
Contact material				Ag/Ni
Operating times				
Closing		ms	≤ 8	
Opening		ms	≤ 4	
Operations				
Mechanical life		cycles	10000000	
Electrical life AC1		cycles	30000	
Coil characteristics				
Relay control voltage + socket	V			24VAC/DC
Average coil consumption DC at 20°C	W			0.2
Operating range		Closing	% U_n	≥ 75
		Opening	% U_n	≥ 5
Maximum cycle frequency		cycles/h	10000	
Mechanical features				
Max socket terminal tightening torque		Nm	0.5	

Socket screw tightening tool (cross / flat blade)	PH0 / 3.5mm		
Conductor section			
AWG/Kcmil	min	20	
	max	16	
IEC	min	mm ²	0.5
	max	mm ²	1.5
Operating position	normal	Any	
Fixing	On 35mm DIN rail		

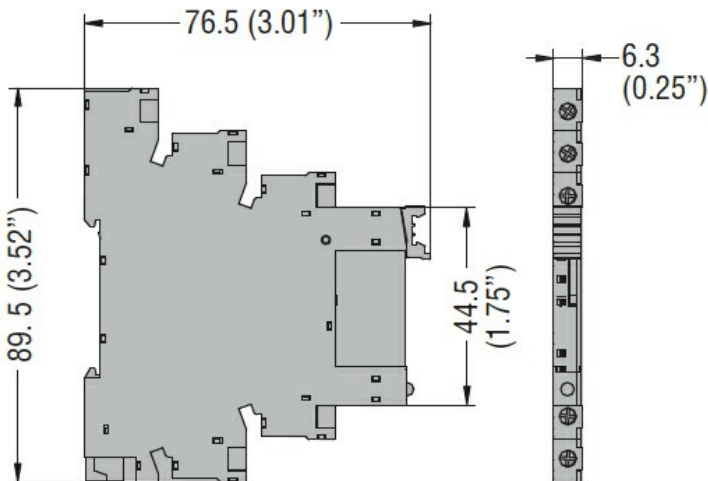
Ambient conditions

Temperature	Operating temperature		
	min	°C	-40
	max	°C	+70
	Storage temperature		
	min	°C	-40
	max	°C	+80

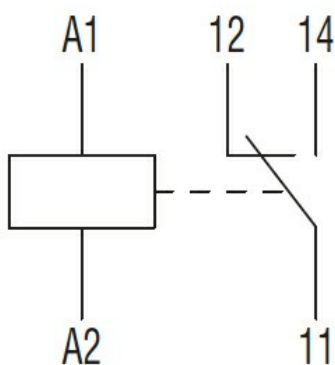
Other features

Indication	Yes (on the socket)
Mechanical contact position indicator	No
Mechanical test actuator	No

Dimensions



Wiring diagrams



Certifications and compliance

Compliance

IEC/EN 61810

Certificates

cURus

EAC

VDE

ETIM classification

ETIM 8.0

EC001437 -
Switching relay