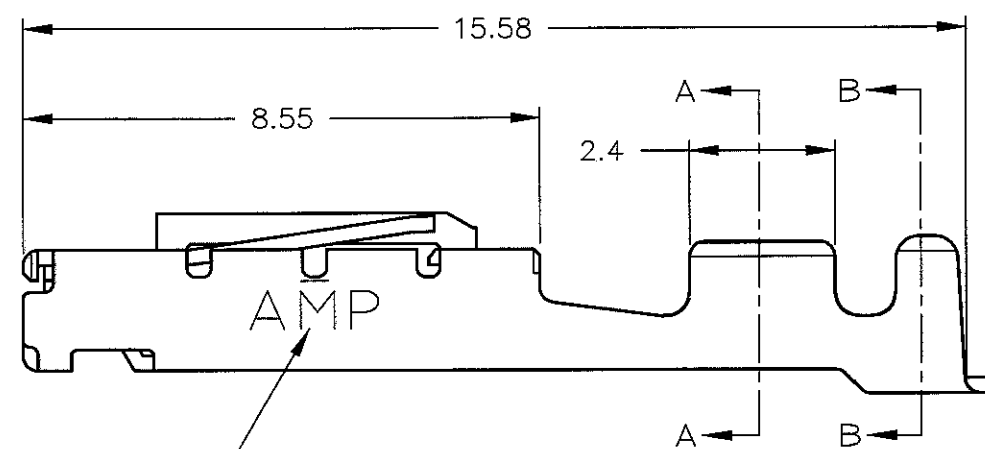
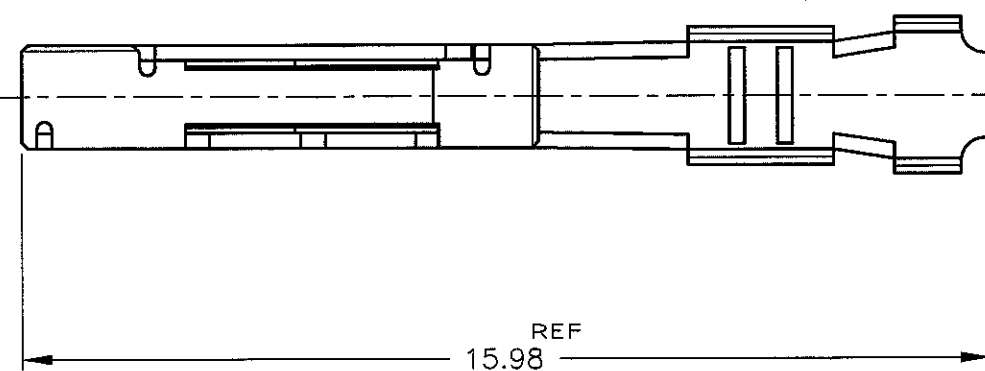
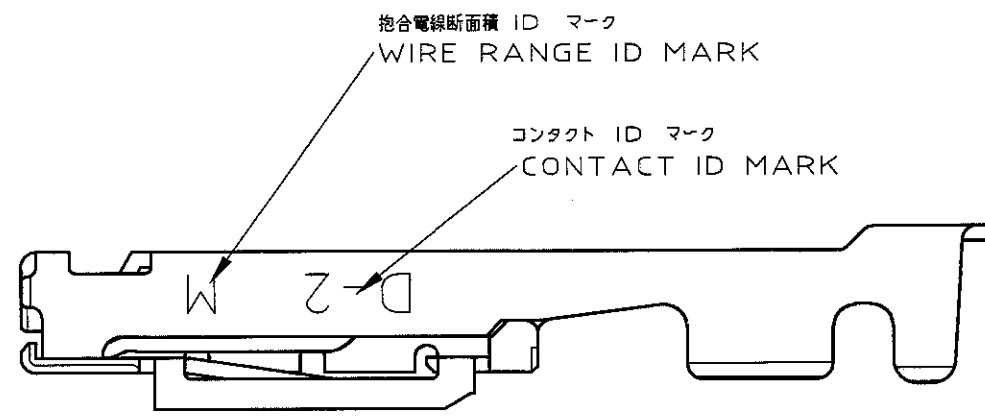
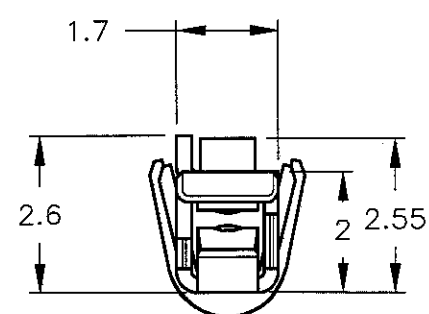
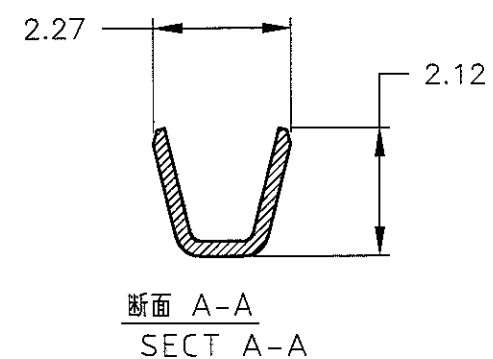
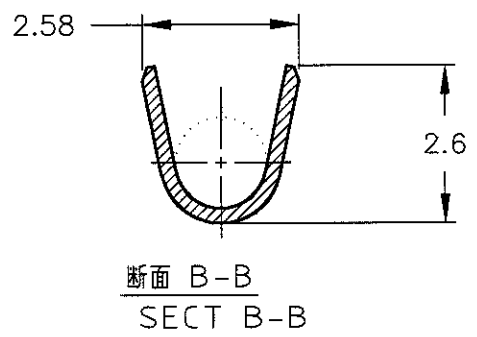


LOC		DIST		REVISIONS				
P	LTR	DESCRIPTION	ECN	DATE	DWN	APVD		
	0	RELEASED	FJ00-1421-98	7/DEC/98	K.I.H.			
	A	REVISED	FJ00-2676-01	11/DEC/01	T.S.	S.M.		



AMP マーク  
AMP MARK

-1:AS SHOWN  
-1:本図

注記

1. めっき: コンタクト: 全面Ni下地  
接触部: 0.38μm MIN金めっき

NOTES

1. FINISH (CONTACT AREA): 0.38μm MIN GOLD PLATING OVER NI PLATING

THIS DRAWING IS A CONTROLLED DOCUMENT FOR AMP INCORPORATED. IT IS SUBJECT TO CHANGE AND THE CONTROLLING ENGINEERING ORGANIZATION SHOULD BE CONTACTED FOR THE LATEST REVISION.		CHK K.IKEDA	7/DEC/98	WIRE RANGE AWG #22~#18		INSULATION DIA 1.3~1.9	
DIMENSIONS: 単位: mm		TOLERANCES UNLESS OTHERWISE SPECIFIED: 一般公差 10% : ±0.3 30% : >10 : ±0.35 10% : >30 : ±0.4 ANGLE : ±3'		APVD I.HASEGAWA		NAME REC CONTACT "M" SIZE, L/P	
MATERIAL 銅合金 (COPPER ALLOY)		FINISH 注記参照 SEE NOTE		PRODUCT SPEC 108-5619		Tyco Electronics AMP K.K. Kawasaki, Japan	
CUSTOMER DRAWING		WEIGHT		APPLICATION SPEC 114-5258		L/P	
				SIZE A3		DRAWING NO 1318107	
				CAGE CODE 00779		RESTRICTED TO -	
				SCALE 8-1		SHEET 1 OF 1	
						REV A	