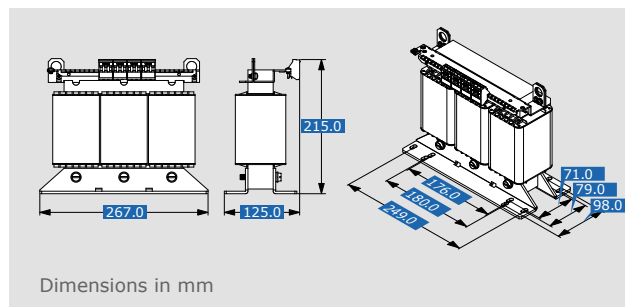


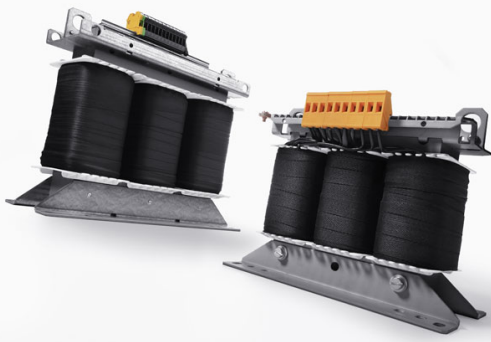
AT3 10-44/46-4

Autotransformer

- Common input and output windings. The output has no separation to the line voltage
- Insulation class F
- Reverse operation possible

Auto Matching Transformer to IEC 61558-2-13, DIN EN 61558-2-13, VDE 0570 part 2-13, or VDE 0532, UL 506, CSA 22.2





AT3 10-44/46-4

Autotransformer



Input data

Input voltage	3x440/460 V
Frequency range	50 - 60 Hz

Output data

Output voltage	3 x 400 V
Efficiency	91 %
Power	10000 VA

Standards and security

Approvals	C-UL-US
Short circuit strength	non-short-circuit proof
Protection index	IP 00
Safety class (prepared)	I
Ambient temperature max.	40 °C
Class of Insulation System	F
Test voltage	4000 V, 50 Hz

General data

Vector group	YNaO
--------------	------

Mechanical data

Type	open type
Core	3 UI 114/40
Terminals	screw type terminals
Fixing method	mounting brackets
Wide	267 mm
Fixing screws	M6
Weight	14.40 kg

Order numbers

Order Number	AT3 10-44/46-4
--------------	----------------

BLOCK Transformatoren-Elektronik GmbH

Max-Planck-Straße 36-46

27283 Verden

Germany

Phone +49 4231 678-0

Fax +49 4231 678-177