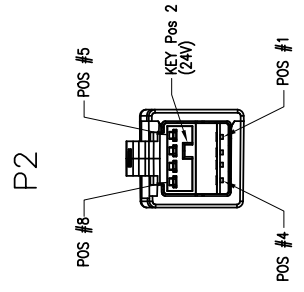
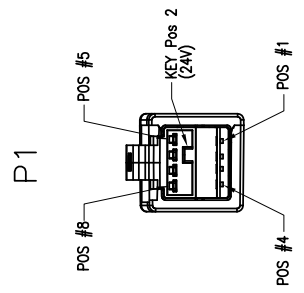
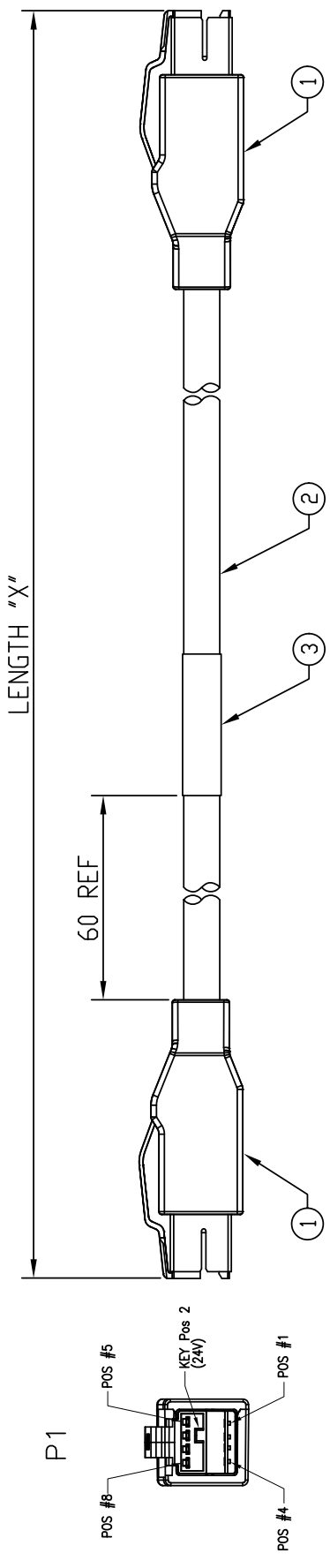


FCI CONFIDENTIAL

FCI PART NO.	POWER TYPE	LENGTH "X"
10123787-Z0030YYLF	24V	305±15 (12inch)
10123787-Z0061YYLF	24V	610±15 (24inch)
10123787-Z0092YYLF	24V	915±15 (36inch)
10123787-Z0122YYLF	24V	1220±20 (48inch)
10123787-Z0152YYLF	24V	1524±20 (60inch)



PIN ASSIGNMENT			
P1	SIGNAL NAME	WIRE COLOR	WIRE AWG
1	VBUS (+5V)	RED	20
2	DATA -	WHITE	28 *
3	DATA +	GREEN	28 *
4	GND	BLACK	20
5	+24VDC	BLUE	20
6	EVENT 1	BROWN	20
7	EVENT 2	ORANGE	20
8	24V RETURN	YELLOW	20
SHELL	FRAME GND	BRAID	
			SHELL

* TWISTED PAIR

TOLERANCES UNLESS OTHERWISE SPECIFIED

LINEAR	
ANGULAR	0° ±2°

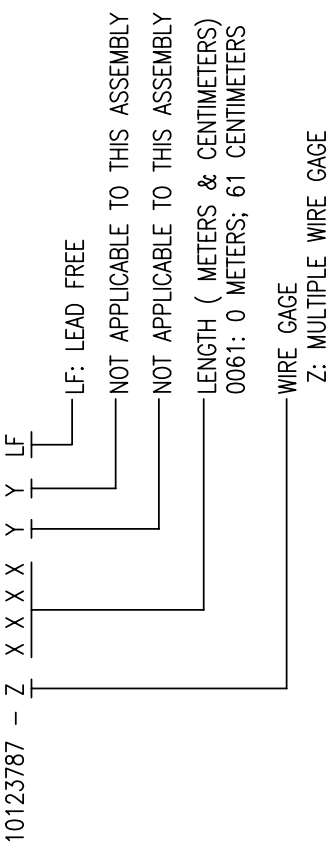
Material		Spec ref	spec_ref	tolerance	projection	MM
Mat code	Heat treat	surface	ISO 1302	ISO 406	ISO 1101	Scale
Plating/Finish	Dr	Sunny Tsai	12/19/2012	Product family	CABLE ASS'Y	ECN
Eng	Sunny Tsai	12/19/2012	Model Name	Model Revision	REL Level	size
Chr	Jackson Wang	12/19/2012	Model Revision	Model Revision	REL Level	size
Appr	Jackson Wang	12/19/2012	Model Revision	Model Revision	REL Level	size
Mark with 10075076001 REV, pro_revision in area indicated by X,...		Dr	Sunny Tsai	12/19/2012	Product family	CABLE ASS'Y
rev	ecn no	dr	date	tolerance	projection	MM
A	New	ST	1/23/2013	ISO 406	ISO 1101	Scale
-	-	-	-	ISO 1302	ISO 1101	ECN
-	-	-	-	Product family	CABLE ASS'Y	REL Level
-	-	-	-	Model Name	Model Revision	size
-	-	-	-	Model Revision	Model Revision	REL Level
FCI		CABLE: USB+POWER (24V) # DOUBLE ENDS		dwg no	10123787	Rev.
Pro/E file	catalog no	CUSTOMER DWG		Sheet 1 of 2	A	

FCI PART NO. SEE SHEET 1

NOTES:

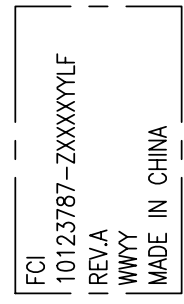
1. USB+POWER MATES WITH FCI PART NUMBER: 55917-60XL.F.
2. UNLESS OTHERWISE SPECIFIED ASSEMBLED LENGTH TOLERANCE:
 =< 1 METER= ±15.0mm
 > 1 METER TO 10 METER= ±2% OF L1 OR L2
 > 10 METER= +0%/-4% OF L1 OR L2

3. PART NUMBER SCHEME FOR CABLE ASSEMBLY:



4. UNLESS OTHERWISE SPECIFIED LABEL POSITION SHALL BE APPROXIMATELY 60mm FROM REAR OF CONNECTOR.

5. LABEL DETAILS:



6. ALL CABLE ASSEMBLIES SHALL BE TESTED 100% FOR CONTINUITY AS DEFINED IN WIRING LIST.

7. UNLESS OTHERWISE SPECIFIED ALL CABLE ASSEMBLIES SHALL BE 100% HI-POT TESTED: DC 300V/10ms

8. OTHER ELECTRICAL SPECIFICATIONS:

- DIELECTRIC RESISTANCE: 50M Ohms MIN.
- CONNECTION RESISTANCE: 1.5 Ohms MAX.

9. THIS DIMENSION IS A FINISHED PRODUCT LENGTH.

10. LEAD FREE PRODUCTS MEET EUROPEAN UNION DIRECTIVES AND OTHER COUNTRY REGULATIONS AS DESCRIBED IN GS-22-008.

11. CONNECTOR ASSEMBLIES SHOWN ARE FOR REFERENCE ONLY AND MAY NOT SHOWN ALL PART DETAIL, REFERENCE CONNECTOR ASSEMBLY DRAWINGS FOR COMPLETE DETAILS.

12. PACKAGE: EACH CABLE ASSEMBLY IN CLEAR ZIP-LOCK POLY BAG, THEN BULK PACKED IN A BOX.

13. MATERIAL:

3	1	EA	ADHESIVE LABEL.
2	AR	MM	USB+POWER CABLE: (UL) CM/(CSA) CMG, 28AWG*1P+20AWG*6C +SHIELD, JACKET COLOR: BLACK
1	2	EA	USB+POWER PLUG KIT (24V) TYPE A, KEY POSITION 2, BLACK COVER, FCI P/N: 74233-2029LF.
ITEM	Q'TY	UNIT	DESCRIPTION

14. BULK CABLE BENDING RADIUS: 30MM MIN.

Material		Spec ref		spec_ref	
Mat code	surface	tolerance	projection	size	Scale
Heat/treat	ISO 1302	ISO 406	MM	A3	MM
Plating/Finish	ISO 1302	ISO 1101	ECN	REL Level	Scale
Dr	Sunny Tsai	12/19/2012	Product family	CABLE ASSY	ECN
Eng	Sunny Tsai	12/19/2012	Model Name		
Chr	Jackson Wang	12/19/2012	Model Revision		
Appr	Jackson Wang	12/19/2012			
		dwg no 10123787		Rev. A	
Pro/E file	catalog no	CUSTOMER DWG		sheet 2 of 2	

