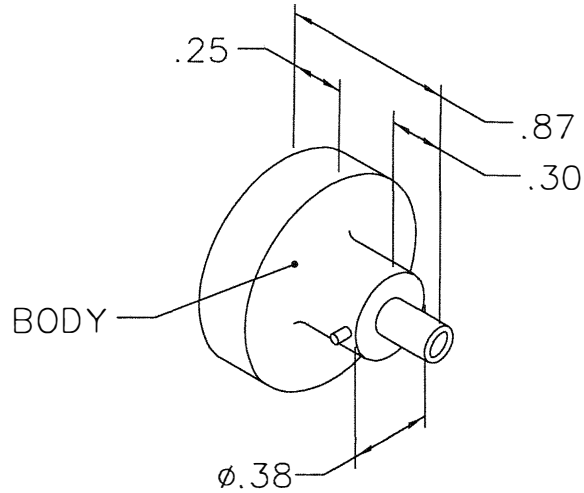


NOTE: FOR USE WITH DANIELS CRIMP TOOLS
ACCOMMODATING "86" SERIES POSITIONERS

REVISIONS				
REV. SYM.	E.C.O. NUMBER	DESCRIPTION	BY DATE	APP'D DATE
1		ORIGINAL RELEASE	E.D. 6-30-94	DE 6-94

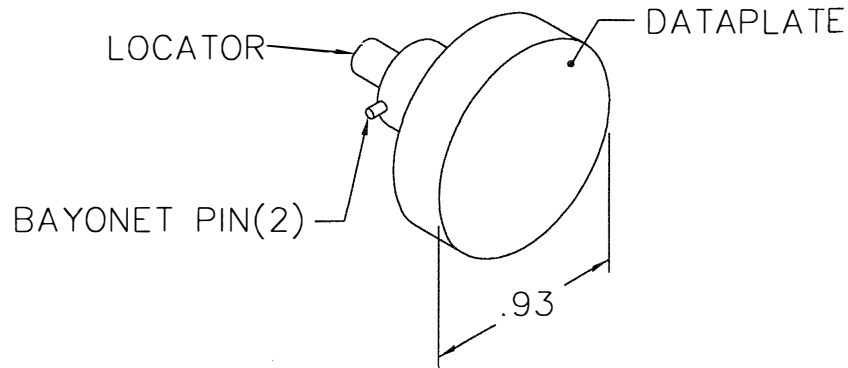
**UNCONTROLLED DOCUMENT
WILL NOT BE UPDATED**



Jupiter
PART NO: JBX 0 OUT LP09

WIRE SIZE	20	22	24
POS.	6	5	4

USE WITH CONTACT NO:
JBX 0 CT MC09
ø0.9mm PIN
SIZE 0



LOCATOR	
HOLE DIMENSIONS	ADDITIONAL FEATURES
ø.041 ∇.384	ø.096 ∇.230

RESTRICTED & CONFIDENTIAL

CONFIDENTIAL PROPERTY OF DANIELS MANUFACTURING CORP. NOT TO BE DISCLOSED TO OTHERS, REPRODUCED OR USED FOR ANY OTHER PURPOSE, EXCEPT AS AUTHORIZED IN WRITING BY DANIELS MANUFACTURING. MUST BE RETURNED TO DANIELS MANUFACTURING CORP. ON COMPLETION OF ORDER OR OTHER PURPOSE FOR WHICH LENT.

DO NOT SCALE DRAWING

MATERIAL	/
HEAT TREAT	
FINISH	

ITEM	PART NO.	QTY.	DESCRIPTION/REMARKS
DRN. E. DIAZ	DATE 6-30-94	DMC	DANIELS MANUFACTURING CORP. ORLANDO, FLORIDA CAGE 11851
CHK'D. DE	DATE 6-94		
APP'D.	DATE		
APP'D.	DATE		
NOTE: THIS DRAWING IS AN OUTLINE DRAWING OF THE RESPECTIVE DMC PART NUMBER INDICATED. ACTUAL DMC PART NUMBER IS DRAWING NUMBER WITHOUT THE "-ENV" SUFFIX.			TITLE ENVELOPE DRAWING POSITIONER
WHERE USED:			SHEET 1 OF 1
SIZE A	SCALE NTS	CAD P/N 86-225-ENV	REV. 1
POSTING	DWG. NO. 86-225-ENV		

Mouser Electronics

Authorized Distributor

Click to View Pricing, Inventory, Delivery & Lifecycle Information:

[Daniels Manufacturing:](#)

[86-225](#)