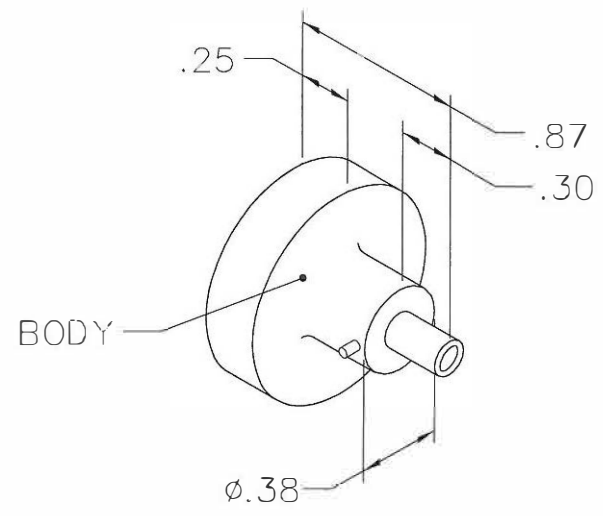
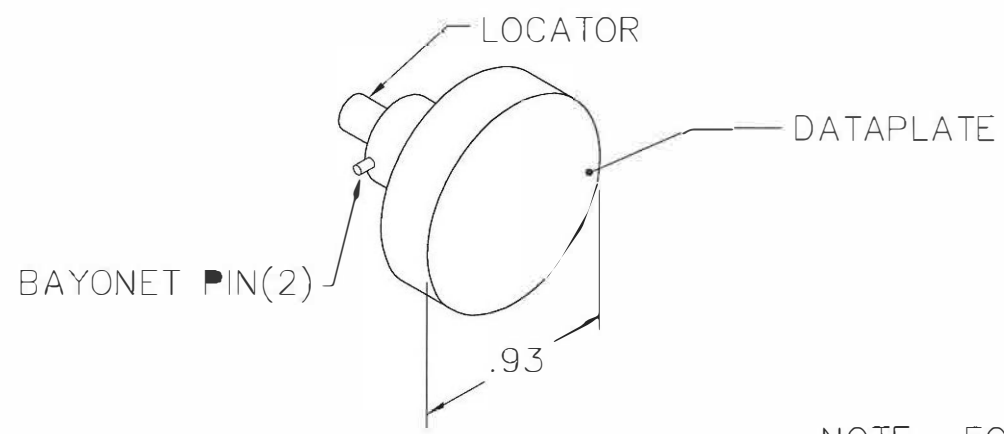


REVISIONS				
REV. SYM.	E.C.O. NUMBER	DESCRIPTION	BY DATE	APP'D DATE
1		ORIGINAL RELEASE	AAM 9-19-00	RRR 9-19-00



**UNCONTROLLED DOCUMENT
WILL NOT BE UPDATED**

DIMENSIONS IN INCHES - UNLESS OTHERWISE SPECIFIED



USE WITH CONTACTS				
WIRE	28	30	32	
23-28 SEL	4	3	2	
WIRE	22	24	26	28
23-22 SEL	3	2	1	1
M39029/16-23-28				
M39029/18-23-28				
M39029/16-23-22				
M39029/18-23-22				

NOTE: FOR USE WITH DANIELS CRIMP TOOLS
ACCOMMODATING "86" SERIES POSITIONERS

LOCATOR	
HOLE DIMENSIONS	ADDITIONAL FEATURES
ϕ .031 ∇ .450	ϕ .057 ∇ .420

RESTRICTED & CONFIDENTIAL

CONFIDENTIAL PROPERTY OF DANIELS MANUFACTURING CORP. NOT TO BE DISCLOSED TO OTHERS, REPRODUCED OR USED FOR ANY OTHER PURPOSE, EXCEPT AS AUTHORIZED IN WRITING BY DANIELS MANUFACTURING. MUST BE RETURNED TO DANIELS MANUFACTURING CORP. ON COMPLETION OF ORDER OR OTHER PURPOSE FOR WHICH LENT.

DO NOT SCALE DRAWING

DRN. A. MOO-YOUNG	DATE 9-19-00	DMC DANIELS MANUFACTURING CORP. ORLANDO, FLORIDA CAGE 11851
CHK'D. RRR	DATE 9-19-00	
APP'D.	DATE	
APP'D.	DATE	
NOTE: THIS DRAWING IS AN OUTLINE DRAWING OF THE RESPECTIVE DMC PART NUMBER INDICATED. ACTUAL DMC PART NUMBER IS DRAWING NUMBER WITHOUT THE "-ENV" SUFFIX.		TITLE ENVELOPE DRAWING POSITIONER
WHERE USED: MH860		
SIZE A	SCALE NTS	CAD P/N 86-32-ENV
POSTING	DWG. NO. 86-32-ENV	SHEET 1 OF 1 REV. 1

Mouser Electronics

Authorized Distributor

Click to View Pricing, Inventory, Delivery & Lifecycle Information:

Daniels Manufacturing:

[86-32](#) [HD36-135](#) [HD36-106N](#) [HD36-124](#) [HD36-138](#) [HD36-114N](#) [HD36-130](#) [HD36-102](#) [HD36-132](#) [HD36-128](#)
[HD36-113N](#) [HD36-110N](#) [HD36-112N](#) [HD36-126](#) [HD36-137](#) [HD36-116N](#) [HD36-142](#) [HD36-109](#) [HD36-105N](#) [HD36-](#)
[125](#) [HD36-107N](#) [HD36-139](#) [HD36-101](#) [HD36-104](#) [HD36-115N](#) [HD36-111N](#) [HD36-131](#)