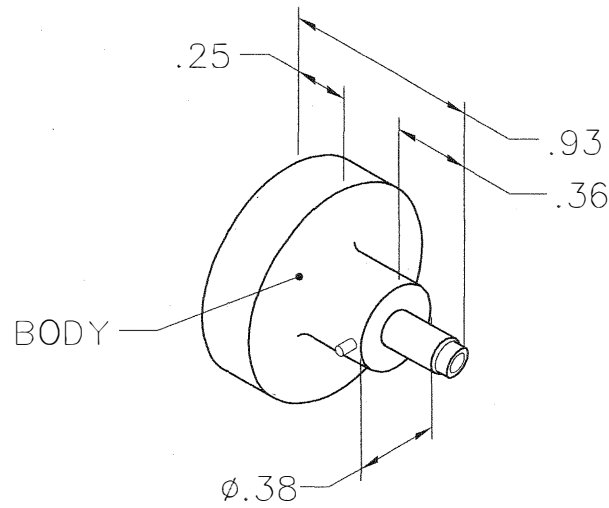


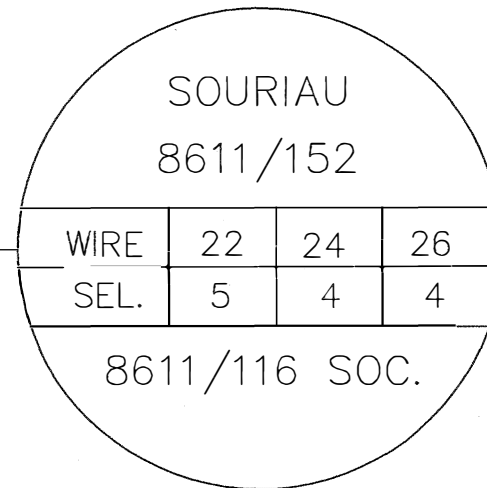
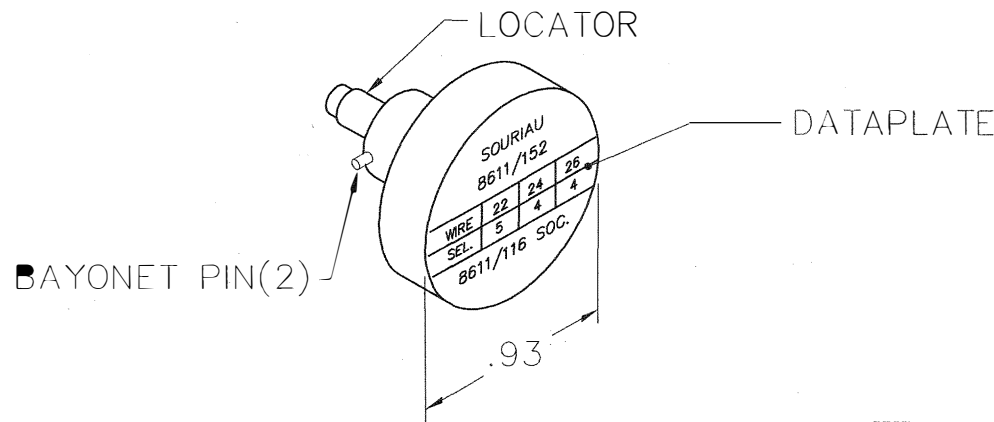
REVISIONS

REV. SYM.	E.C.O. NUMBER	DESCRIPTION	BY DATE	APP'D DATE
1		ORIGINAL RELEASE	DC 8-16-94	DD 8-16-94



**UNCONTROLLED DOCUMENT  
WILL NOT BE UPDATED**

DIMENSIONS IN INCHES - UNLESS OTHERWISE SPECIFIED



NOTE: FOR USE WITH DANIELS CRIMP TOOLS  
ACCOMMODATING "K" SERIES POSITIONERS

LOCATOR	
HOLE DIMENSIONS	ADDITIONAL FEATURES
ø.055 ∇.584	□ ø.101 ∇.421

RESTRICTED & CONFIDENTIAL

CONFIDENTIAL PROPERTY OF DANIELS MANUFACTURING CORP. NOT TO BE DISCLOSED TO OTHERS, REPRODUCED OR USED FOR ANY OTHER PURPOSE, EXCEPT AS AUTHORIZED IN WRITING BY DANIELS MANUFACTURING. MUST BE RETURNED TO DANIELS MANUFACTURING CORP. ON COMPLETION OF ORDER OR OTHER PURPOSE FOR WHICH LENT.

DO NOT SCALE DRAWING

DRN.	DC	DATE 8-16-94
CHK'D.	DD	DATE 8-16-94
APP'D.		DATE
APP'D.		DATE



DANIELS MANUFACTURING CORP.  
ORLANDO, FLORIDA  
CAGE 11851

NOTE:  
THIS DRAWING IS AN OUTLINE DRAWING OF THE RESPECTIVE DMC PART NUMBER INDICATED. ACTUAL DMC PART NUMBER IS DRAWING NUMBER WITHOUT THE "-ENV" SUFFIX.

TITLE  
**ENVELOPE DRAWING  
POSITIONER**

WHERE USED: AFMB

SIZE A	SCALE NTS	CAD P/N K637-ENV	SHEET 1	OF 1
POSTING	DWG. NO. K637-ENV	REV. 1		

# Mouser Electronics

Authorized Distributor

Click to View Pricing, Inventory, Delivery & Lifecycle Information:

[Daniels Manufacturing:](#)

[K637](#)