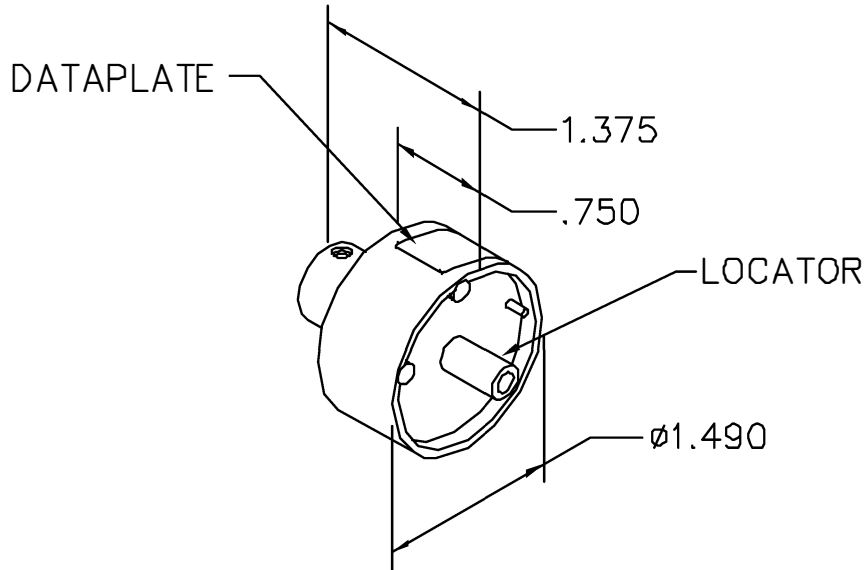


REVISIONS				
REV. SYM.	E.C.O. NUMBER	DESCRIPTION	BY DATE	APP'D DATE
1		ORIGINAL RELEASE	JWJ 2/23/05	RRR 2/23/05

**UNCONTROLLED DOCUMENT  
WILL NOT BE UPDATED**



CONTACT	14	12	WIRE
ITT CANNON 031-0908-000 031-0909-000	1	1	SEL NO.
USE WITH M300BT			

DATAPLATE

LOCATOR	
HOLE DIMENSIONS	ADDITIONAL FEATURES
$\phi .101$ ↓ .718	□ $\phi .242$ ↓ .617

**RESTRICTED & CONFIDENTIAL**

CONFIDENTIAL PROPERTY OF DANIELS MANUFACTURING CORP. NOT TO BE DISCLOSED TO OTHERS, REPRODUCED OR USED FOR ANY OTHER PURPOSE, EXCEPT AS AUTHORIZED IN WRITING BY DANIELS MANUFACTURING. MUST BE RETURNED TO DANIELS MANUFACTURING CORP. ON COMPLETION OF ORDER OR OTHER PURPOSE FOR WHICH LENT.

**DO NOT SCALE DRAWING**

DRN.	J. JOYCE	DATE	2/23/05
CHK'D.	RRR	DATE	2/23/05
APP'D.		DATE	
APP'D.		DATE	
NOTE:			
THIS DRAWING IS AN OUTLINE DRAWING OF THE RESPECTIVE DMC PART NUMBER INDICATED. ACTUAL DMC PART NUMBER IS DRAWING NUMBER WITHOUT THE "-ENV" SUFFIX.			

<b>DMC</b>		DANIELS MANUFACTURING CORP. ORLANDO, FLORIDA CAGE 11851		
		TITLE <b>SINGLE POSITION HEAD ENVELOPE DRAWING</b>		
WHERE USED:				
SIZE	SCALE	CAD P/N	SHEET	OF
A	NTS	TP870-ENV	1	1
POSTING	DWG. NO.		REV.	
	TP870-ENV		1	

# Mouser Electronics

Authorized Distributor

Click to View Pricing, Inventory, Delivery & Lifecycle Information:

[Daniels Manufacturing:](#)

[TP870](#)