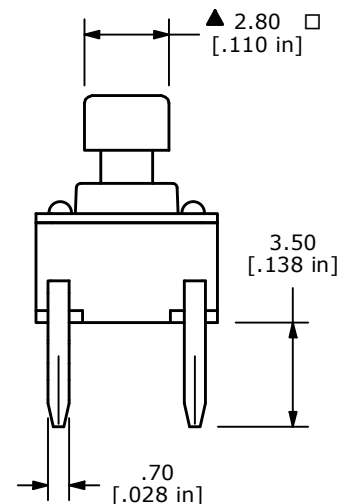
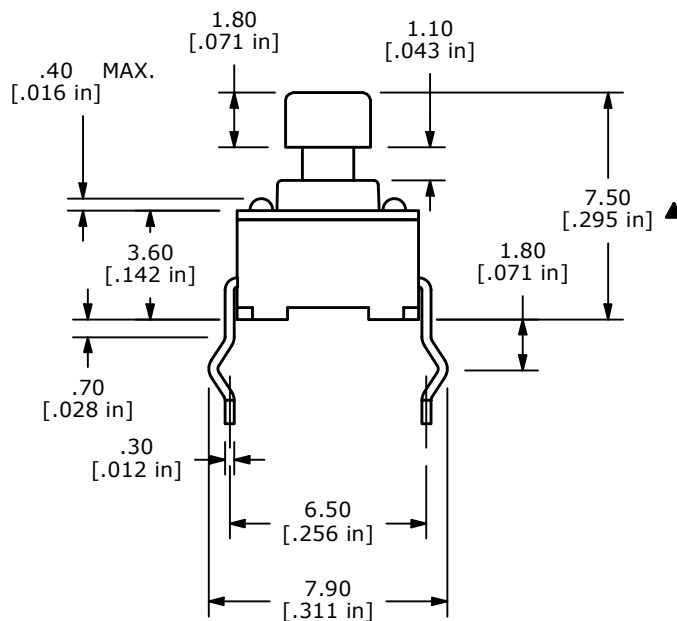


CIRCUIT: SPST ▲



NOTES:

1. ALL DIMENSIONS IN MM [INCH]
2. TERMINAL NUMBERS FOR REF. ONLY
3. TOLERANCE: X.XX=± 0.4
X.XX=± 0.25
4. RATING: 50mA @ 12VDC
5. TRAVEL: 0.25mm +0.2/-0.1mm
- ▲ 6. OPERATING FORCE: 160± 50gf
7. ELECTRICAL LIFE: 100,000 CYCLES MIN.
8. CONTACT RESISTANCE: 100mΩ MAX.
- ▲ 9. CONTACT MATERIAL: SILVER
10. ▲ DENOTES CRITICAL PARAMETER
11. OPERATING TEMP: -40°C TO 85°C



D	24546	CHANGED OPERATING TEMPERATURE	10/19/20	JM
C	10038	REVISED AND REDRAWN	12/2/98	
REV	PCR NO	DESCRIPTION	DATE	BY

TITLE TL1105SPF160Q				
SCALE	DATE	DR	DWG	REV
4:1	8/28/1994	MM	P010201	D

THE INFORMATION CONTAINED IN THIS DOCUMENT IS PROPRIETARY TO E-SWITCH AND IS NOT TO BE COPIED OR TRANSFERRED