

Data sheet

Connection line M12 angled-M12 straight 8-pole X-coded 1.0 m

Page 1/5

P/N

142M1D19010

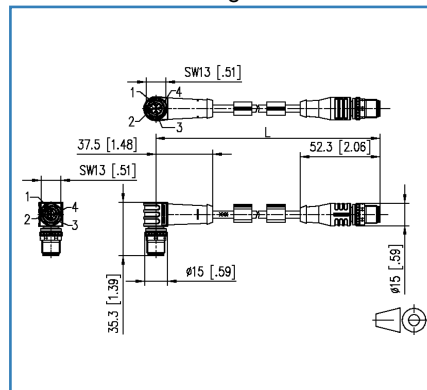
EAN 4250184175018

2015-26-08

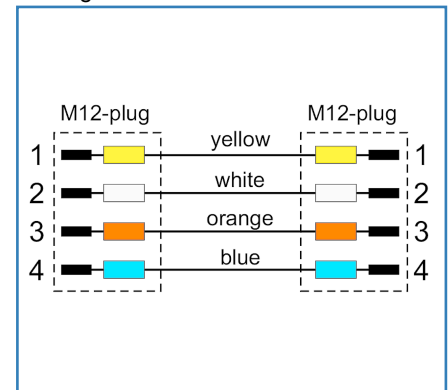
Illustrations



Dimensional drawing



Wiring



See enlarged drawings at the end of document

Product specification

- shielded M12 Ethernet connection line
 - Cat.5e, 4-pole, D-coded (IEC 61076-2-101)
 - M12 connector, angled on M12 connector, straight
 - extrusion-coated cable on M12 connectors
 - 2x2xAWG22/7, tinned with plastic foil
 - inner sheath FRNC, aluminum-coated plastic foil
 - overall shield: tinned copper braid, approx. 85% covered
 - Profinet (WS-GE-BL-OR) wiring
 - green cable, PUR
-
- standard variants: 1.0 m, 2.0 m, 5.0 m, 10.0 m
 - other cable lengths on request

Data sheet

**Connection line M12 angled-M12 straight 8-pole
X-coded 1.0 m**

P/N
142M1D19010
EAN 4250184175018

2015-26-08

Technical Data

General Data

| | |
|-------------------------------------|------------------------------|
| Fields of application | Industrial Ethernet |
| Design | Ethernet-Connection line |
| Shielding | shielded |
| Transmission technology | Copper |
| Number of twisting elements | 2 |
| Twisting element | Pair |
| Wiring | Profinet |
| Color coding fiber/ wire(s) | yellow, white, orange, blue |
| Color | green |
| Dimensions | |
| Dimension - Interface 1 (L x W x H) | 52.30 x 15.00 x 15.00 mm |
| Dimension - Interface 1 (L x W x H) | 2.06 x 0.59 x 0.59 in. |
| Dimension - Interface 2 (L x W x H) | 35.30 x 15.00 x 45.00 mm |
| Dimension - Interface 2 (L x W x H) | 1.39 x 0.59 x 1.77 in. |
| Cable length (m) | 1.00 m |
| Cable length (ft) | 3.28 ft |
| Labeling option | identification label carrier |

Transmission characteristics

| | |
|----------------|----|
| Category (ISO) | 5e |
|----------------|----|

Connections/interfaces

| | |
|------------------------------------------|----------|
| Connector technology interface 1 | M12-jack |
| Connector technology interface 2 | M12-plug |
| Coding interface 1 | D-coded |
| Coding interface 2 | D-coded |
| Number of ports interface 1 | 1 |
| Number of ports interface 2 | 1 |
| Number of equipped ports interface 1 | 1 |
| Number of ports interface 2 equipped | 1 |
| Number of positions/contacts interface 1 | 4 |
| Number of positions/contacts interface 2 | 4 |



Connection line M12 angled-M12 straight 8-pole X-coded 1.0 m

P/N

142M1D19010

EAN 4250184175018

2015-26-08

Technical Data

Connections/interfaces

Termination data, stranded wire (min. - max.)

| | |
|-------------------------------------------------|-----------------------|
| Conductor cross section, stranded wire | AWG 22 |
| Conductor cross section, stranded wire | 0.355 mm ² |
| Conductor diameter, stranded wire (bare copper) | 0.762 mm |
| Conductor diameter, stranded wire (bare copper) | 0.03 in. |

Electrical characteristics

| | |
|---------------------------|---------------------------|
| Current carrying capacity | max. 4 A |
| Rated voltage | max. 250 V |
| Through resistance | max. 5 mOhm |
| Insulation resistance | min. 10 ⁸ MOhm |

Mechanical characteristics

| | |
|--------------------------|------|
| Shielding braid coverage | 85 % |
|--------------------------|------|

Materials and material properties

| | |
|-----------------------------------------|-------------------------------|
| Material - Conductor | Cu (copper) |
| Material - Cable jacket | PUR |
| Material - Inner cable jacket | FRNC, with an aluminized film |
| Material - Body interface 1 | Plastics |
| Material - Body interface 2 | Plastics |
| Material - Contact interface 1 | CuZn (brass) |
| Material - Contact interface 2 | CuZn (brass) |
| Material - Contact finish interface 1 | Au (gold) |
| Material - Contact finish interface 2 | Au (gold) |
| Material - Contact carriers interface 1 | Plastics |
| Material - Contact carriers interface 2 | Plastics |
| Material - Union nut interface 1 | CuZn (brass) |
| Material - Union nut interface 2 | CuZn (brass) |
| Material - Union nut finish interface 1 | Ni (nickel) |
| Material - Union nut finish interface 2 | Ni (nickel) |
| Material - Main shield | Cu (copper) braid |
| Material - Main shield finish | Sn (tin) |
| Flame retardancy | yes |



Data sheet

**Connection line M12 angled-M12 straight 8-pole
X-coded 1.0 m**

P/N
142M1D19010
EAN 4250184175018

2015-26-08

Technical Data

Environmental conditions

| | |
|--------------------------------------|----------------------|
| Temperature (min. - max.) | |
| Temperature - Storage °C | -30 - 90 °C |
| Temperature - Storage °F | -22 - 194 °F |
| Particulate ingress interface 1 | IP6X when plugged in |
| Liquid ingress/immersion interface 1 | IPX7 when plugged in |
| Particulate ingress interface 2 | IP6X when plugged in |
| Liquid ingress/immersion interface 2 | IPX7 when plugged in |
| Pollution degree interface 1 | 3 |
| Pollution degree interface 2 | 3 |

Approvals

| | |
|------|-----------|
| RoHS | compliant |
|------|-----------|

The product meets the following standards

| | |
|--------------------------------------------------------------------------------------|----------------------------------|
| Generic cabling systems | |
| General requirements | ISO/IEC 11801-1 DIN EN 50173-1 |
| Connectors for electronic equipment | |
| Round plug connectors | DIN EN 61076-2-101 |
| Multi-element metallic cables used in analogue and digital communication and control | DIN EN 50288-4-1 |
| Test for vertical flame propagation for a single insulated wire or cable | DIN EN 60332-1-2 |
| Measurement of smoke density of cables burning | DIN EN 61034 |

Classifications

| | |
|----------|----------|
| ETIM 5.0 | EC002599 |
|----------|----------|

Packing details

| | |
|-------------------|-----------------------|
| Type of packaging | 1 pc(s) / plastic bag |
|-------------------|-----------------------|

Data sheet

Page 5/5

Connection line M12 angled-M12 straight 8-pole X-coded 1.0 m

P/N

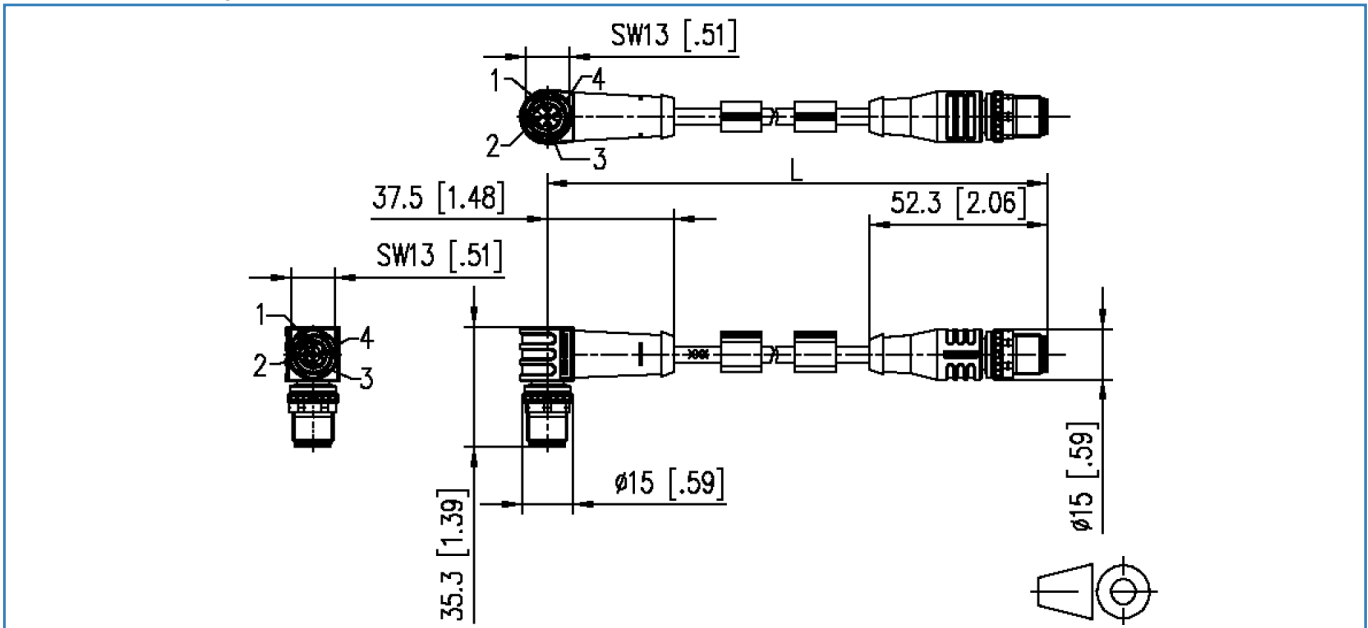
142M1D19010

EAN 4250184175018

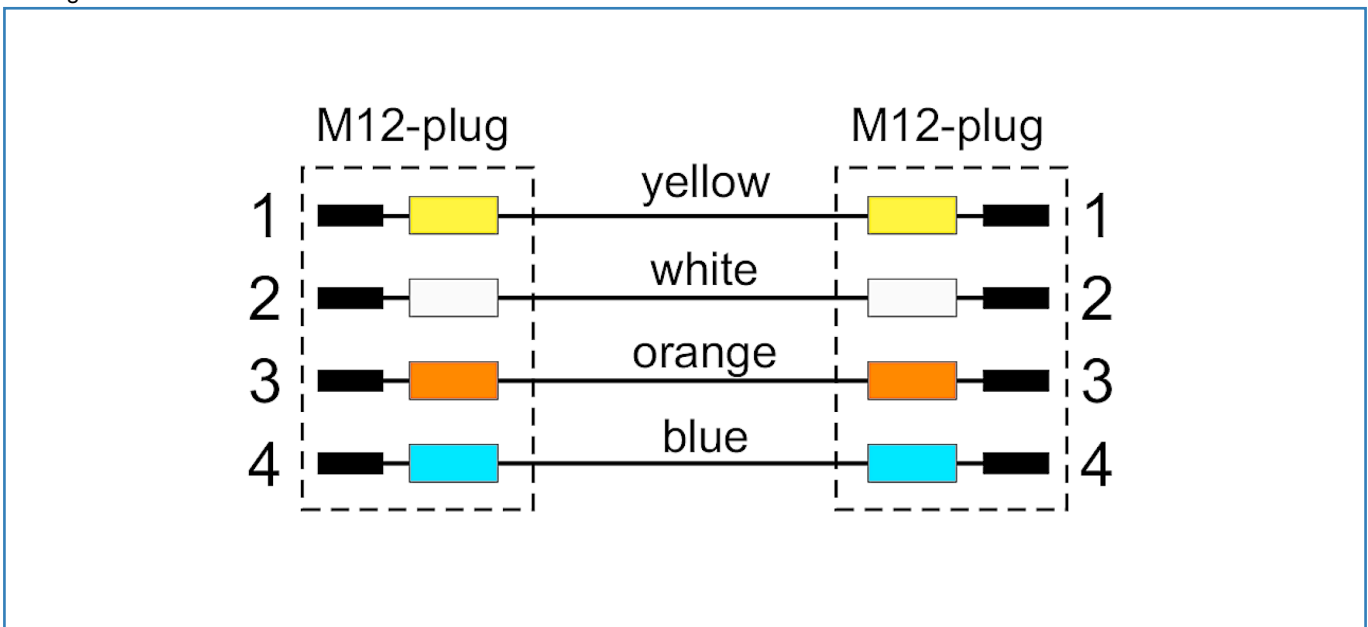
2015-26-08

Illustrations

Dimensional drawing



Wiring



© 2015 METZ CONNECT - Technische Änderungen vorbehalten! Subject to modifications! Sous réserve de modifications techniques!