

**SP27 Small sized high quality buzzer**

**CE STANDARD SERIES**



The SP27 standard buzzer is a small sized high quality buzzer to be used in applications where space is limited. The SP27 covers a wide range of applications, with an extremely high sound output of 94 dB(A) and a max. supply voltage of 16 Vdc.

The Standard series is based on the highest piezo technology and is considered as a robust model for industrial applications. The use of a special shaped membrane (curved edge) fixed and glued into the housing together with the potting material makes this model shock proof, as well as dust and waterproof (IP67).



**ADVANTAGES & APPLICATIONS**

**ADVANTAGES :**

- Small sized: 19mm thickness
- Extremely high SPL
- Solid state shock proof buzzer
- Dust and waterproof, rated to IP 67
- Life time > 2000 hours
- Low power consumption
- Automotive temperature range

**APPLICATIONS :**

- Critical applications
- Life support systems

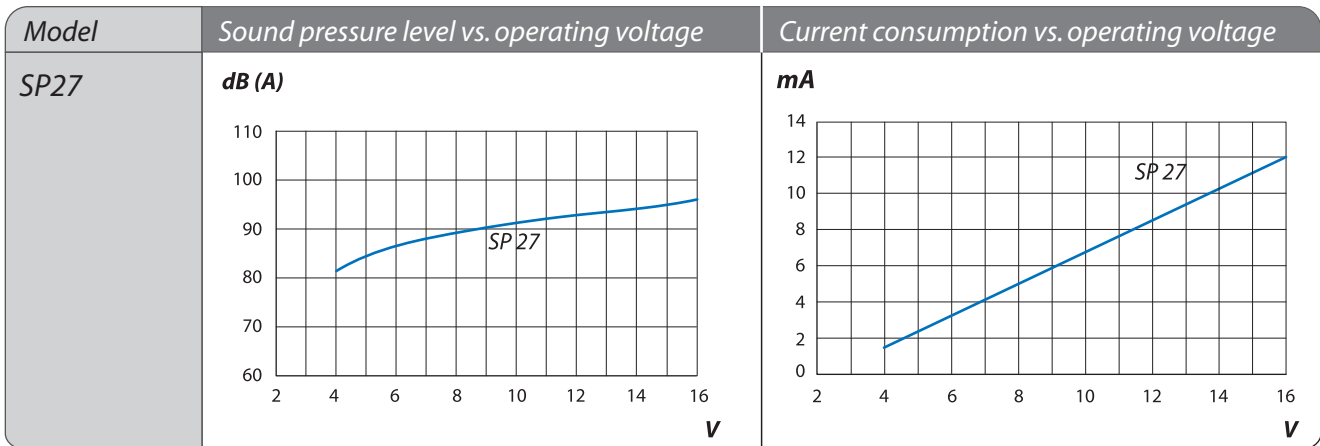
**SPECIFICATIONS**

Model	Operating Voltage		Frequency(Hz) (± 15%)	Operating Current (mA)		SPL (dB(A))*
	min. Vdc	max. Vdc		@ Vdc min.	@ Vdc max.	
SP27	4	16	3500	1.6	12	94

Operating voltage:	4/16Vdc (NOT reverse voltage protected)
Operating current:	12mA @ 12Vdc
Frequency:	3.5kHz ±15%
Sound pressure level:	94dB (A) @ 12Vdc @ 1m
Tone:	continuous
Life time:	>2000 hours @ 21°C @ 12Vdc (free air) mounted on panel
Terminals:	pins or Fast-on
Operating temperature:	-40°C to +85°C
Storage temperature:	-40°C to +85°C
Case material:	ABS (UL rating: 94 HB)
Standard color of case:	grey
Weight:	13 g

\*All measurements are made @ 1 meter in free air @ 21°C @ 12 Vdc. Please note that objects in close proximity of the buzzer, or objects in a room, can cause reflections and thereby increasing or decreasing the SPL.

## ELECTRICAL PARAMETERS



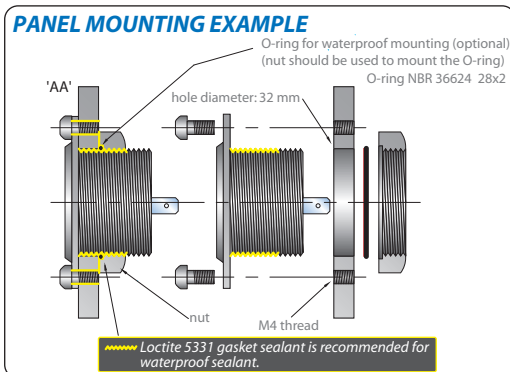
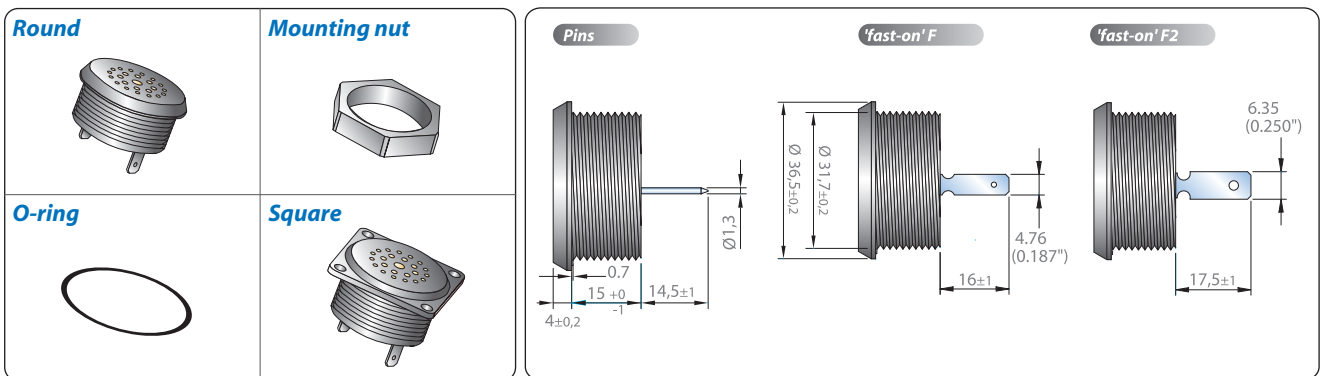
All measurements are made @ 1meter in free air @ 21°C.

## PRODUCT CODIFICATION

<p>SP27</p> <p>↓</p> <p>Sonitron Panel</p>	<p>F F2 P</p> <p>↓</p> <p>'fast-on' terminals  <b>F:</b> 4.76 mm  <b>F2:</b> 6.35 mm  <b>P:</b> Pins <math>\varnothing</math> 1.3mm</p>	<p>M*** S MS***</p> <p>↓</p> <p><b>M:</b> military  <b>S:</b> Square front  <b>MS:</b> military &amp; square front</p>	<p><b>Combinations</b></p> <table border="0"> <tr> <td>SP27</td> <td>SP27 S</td> </tr> <tr> <td>SP27 F</td> <td>SP27 F S</td> </tr> <tr> <td>SP27 F2</td> <td>SP27 F2 S</td> </tr> <tr> <td>SP27 F M</td> <td></td> </tr> <tr> <td>SP27 F2 M</td> <td></td> </tr> <tr> <td>SP27 F M S</td> <td></td> </tr> <tr> <td>SP27 F2 M S</td> <td></td> </tr> </table>	SP27	SP27 S	SP27 F	SP27 F S	SP27 F2	SP27 F2 S	SP27 F M		SP27 F2 M		SP27 F M S		SP27 F2 M S	
SP27	SP27 S																
SP27 F	SP27 F S																
SP27 F2	SP27 F2 S																
SP27 F M																	
SP27 F2 M																	
SP27 F M S																	
SP27 F2 M S																	

## DIMENSIONS, OPTIONS, MOUNTING EXAMPLE

(All dimensions are in mm)



**ORDER OPTIONS STANDARD SERIES**

**W100** With 2 wires: length 10cm (instead of pins).

**ACR (acrly coating)** For applications under aggressive humid conditions, Sonitron also deliver a special model in which the piezo element is covered with a protective coating. Add ACR to the part number. The protective coating gives a complementary assurance against smog; all standard models are perfectly waterproof (IP67) without the mentioned coating.

**Gasket (O-ring)** Rubber sealing ring for waterproof assembly. (standard delivered with SP7)

**To order an option add the suffix to the model number of the standard series.**