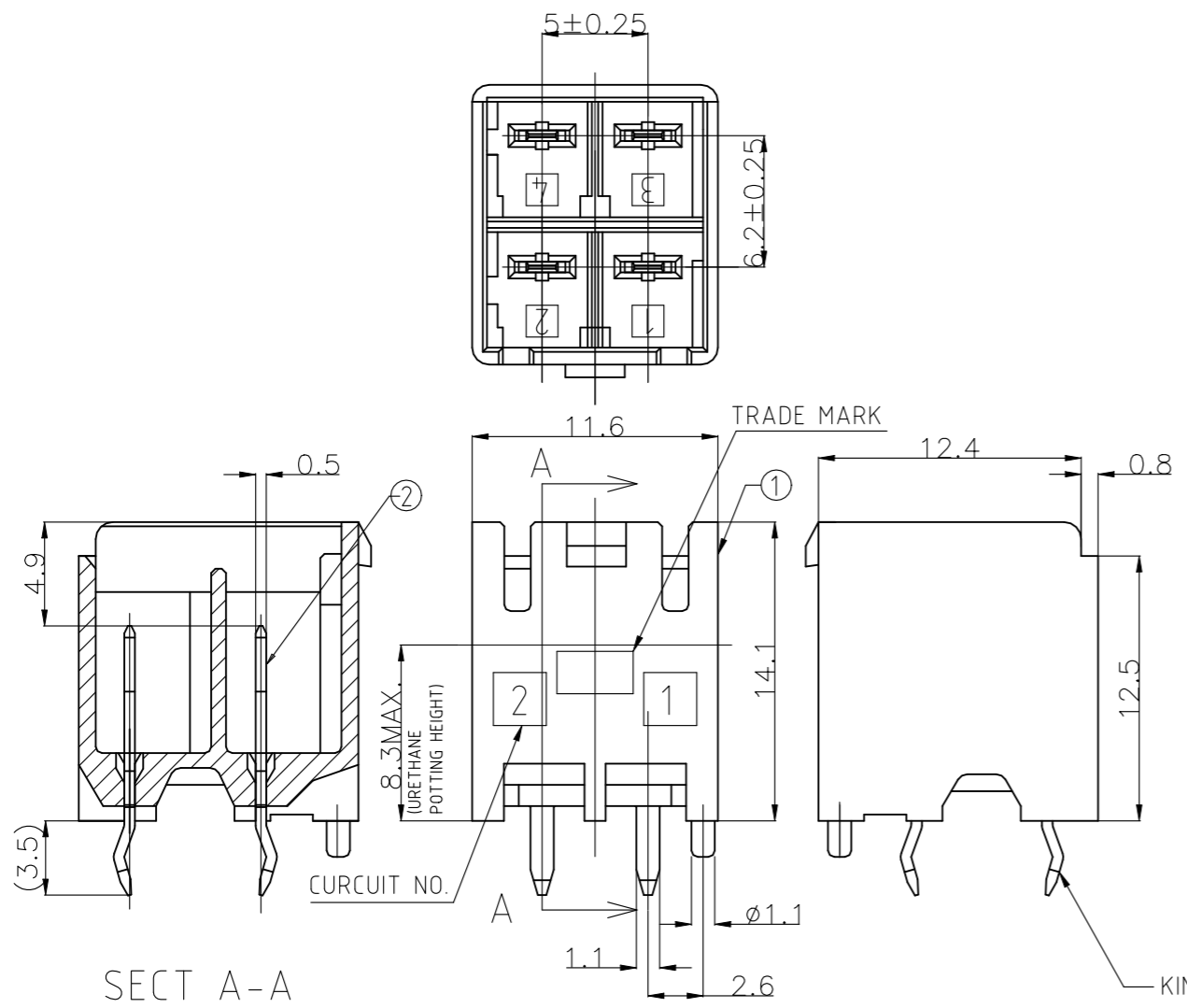
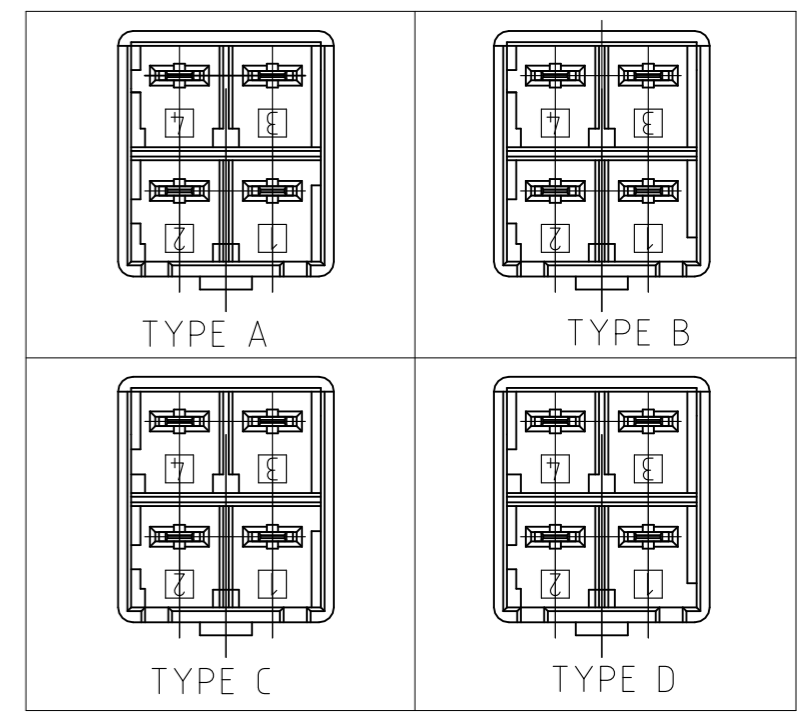


THIS DRAWING IS UNPUBLISHED. RELEASED FOR PUBLICATION
 © COPYRIGHT - By - ALL RIGHTS RESERVED.

REVISIONS					
P	LTR	DESCRIPTION	DATE	DWN	APVD
	E3	REVISED PER ECR-21-101026	23MAR2021	SK	DZ

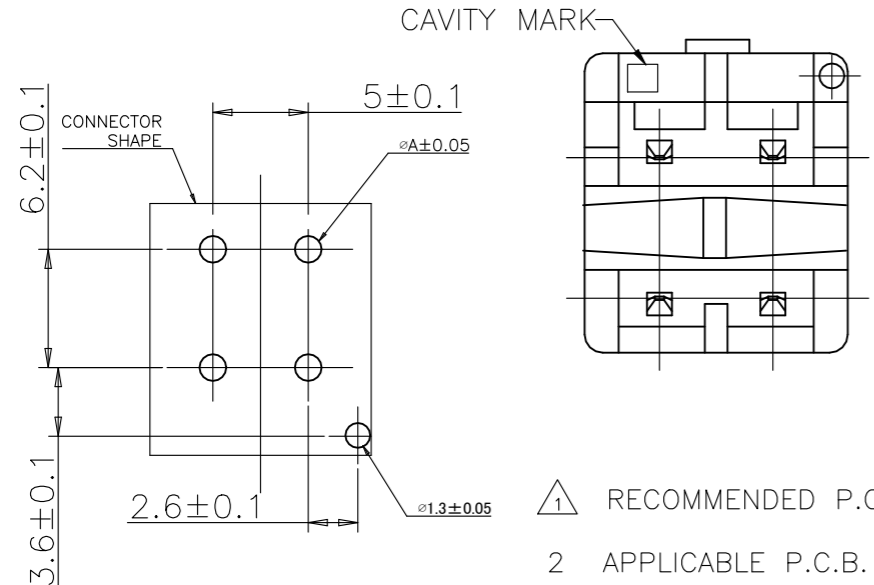


THE TYPE OF KEYING



NO.	NAME	MATERIAL
②	HEADER HOSING	6/6 NYLON GRASS FILLED
①	TAB	COPPER ALLOY TIN PLATED

SECT A-A



△	P/N	WITH/WITHOUT KINK	TYPE OF KEYING	Color	Pos	PART NO.
△	1376392-1	WITHOUT KINK	TYPE A	NATURAL	4Pos	5-1376386-1
△	3-1376392-4	WITH KINK	TYPE D	YELLOW	4Pos	3-1376386-4
△	2-1376392-3	WITH KINK	TYPE C	BLUE	4Pos	2-1376386-3
△	1-1376392-2	WITH KINK	TYPE B	RED	4Pos	1-1376386-2
△	1376392-1	WITH KINK	TYPE A	NATURAL	4Pos	1376386-1

THIS DRAWING IS A CONTROLLED DOCUMENT.

DWN A.OISHI 04APR2003
 CHK Y.KASHIWA 28AUG'00
 APVD Y.KASHIWA 28AUG'00
 PRODUCT SPEC 108-5699
 APPLICATION SPEC 114-5292

STE TE Connectivity

5.0 POWER KEY CONNECTOR
 4P HEADER ASSEMBLY (2ROW)

SIZE A3 CAGE CODE 00779 DRAWING NO. C-1376386 RESTRICTED TO —

WEIGHT CUSTOMER DRAWING SCALE 3:1 SHEET 1 OF 2 REV E3

PUNCHING	1.25
DRILLING	1.4
	A寸法

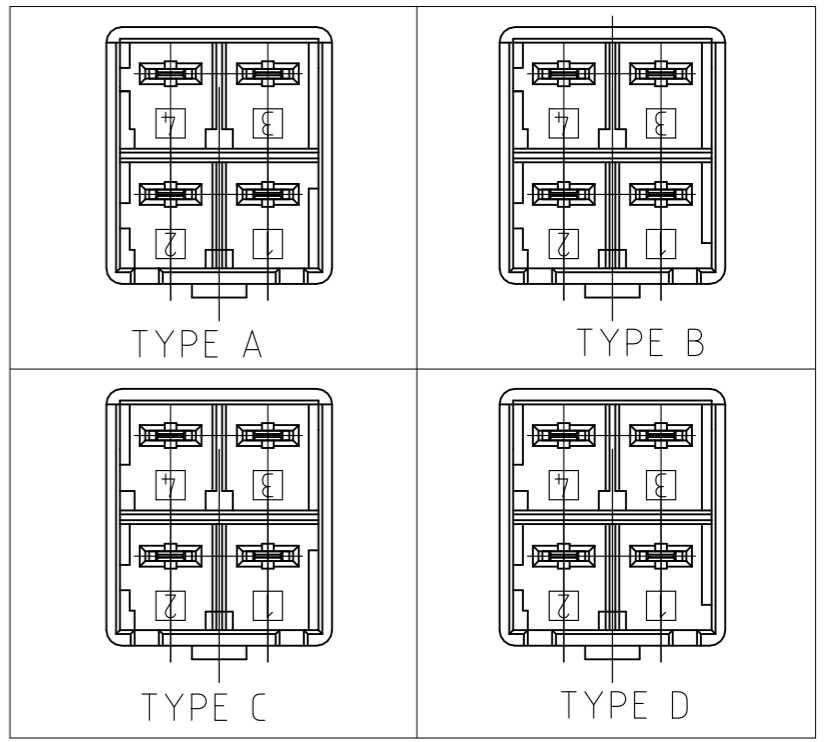
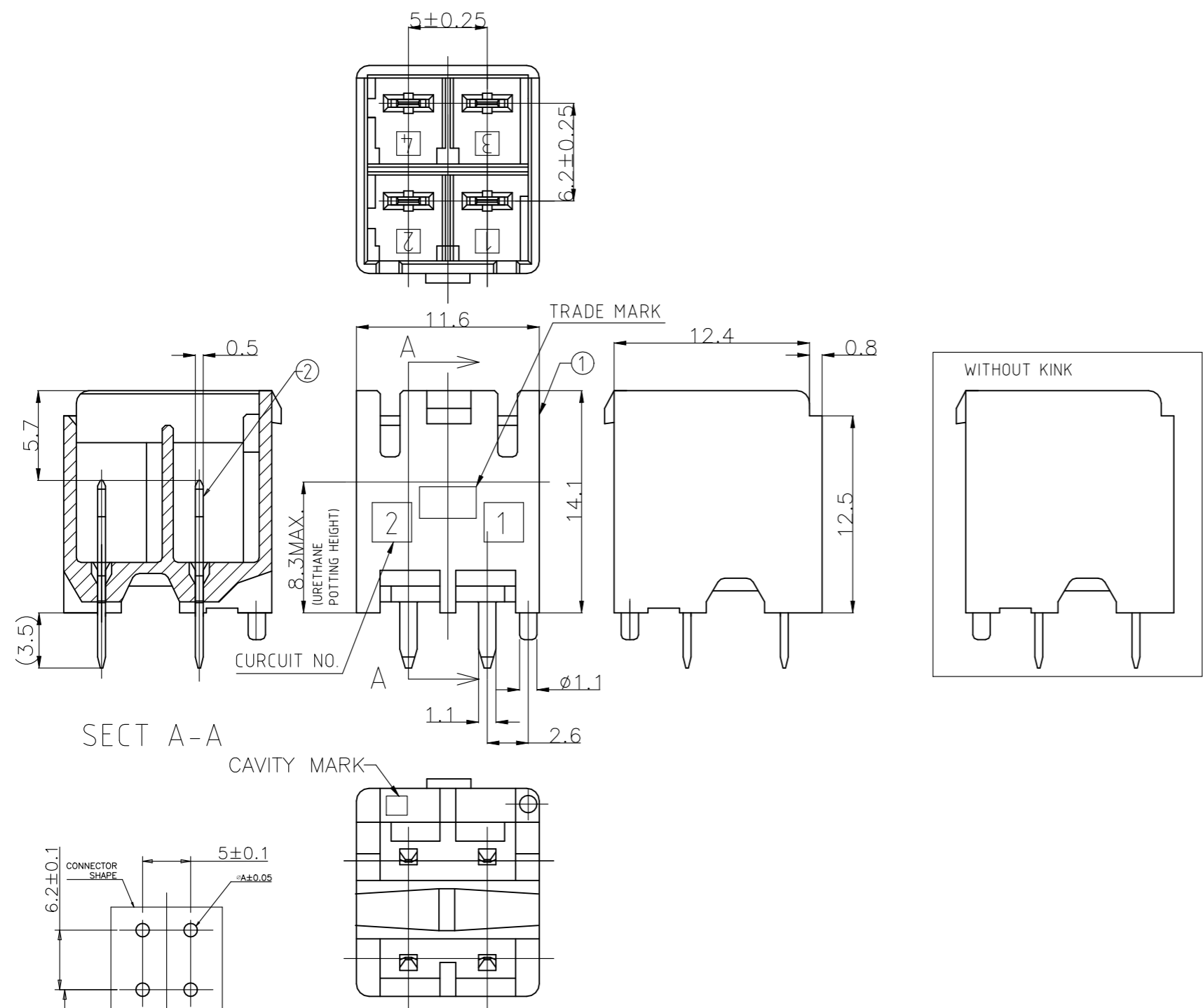
- △ RECOMMENDED P.C.B LAY OUT.
- 2 APPLICABLE P.C.B. THICKNESS:1.6.
- △ MATING CONN. P/N PLUG HOUSING :SEE TABLE.
- 4 PARTS MEET IEC 60335-1 (GWT GLOW WIRE TEST 750 DEGREE SPEC).
- △ NYLON 66, GWT, V-0.

DIMENSIONS: MM	TOLERANCES UNLESS OTHERWISE SPECIFIED:
	0 PLØ ± 0.2
	1 PLC ±
	2 PLC ±
	3/PLC ±
	4 PLC ANGLES ± 1°
MATERIAL SEE TABLE	FINISH SEE TABLE

△ RECOMMENDED PCB HOLES

THIS DRAWING IS UNPUBLISHED. RELEASED FOR PUBLICATION
 © COPYRIGHT - By - ALL RIGHTS RESERVED.

P	LTR	DESCRIPTION	DATE	DWN	APVD
-	-	SEE SHEET 1	-	-	-



NO.	NAME	MATERIAL
②	HEADER HOUSING	6/6 NYLON
①	TAB	COPPER ALLOY TIN PLATED

MATING CONN. P/N	TYPE OF KEYING	Color	Pos	PART NO.
3-1376392-5	TYPE D	YELLOW	4Pos	3-1376386-5
2-1376392-4	TYPE C	BLUE	4Pos	2-1376386-4
1-1376392-3	TYPE B	RED	4Pos	1-1376386-3
1376392-2	TYPE A	NATURAL	4Pos	1376386-2

	DIM A
PUNCHING	1.25
DRILLING	1.4

RECOMMENDED PCB HOLES

- ① RECOMMENDED P.C.B LAY OUT
- ② APPLICABLE P.C.B. THICKNESS:1.6
- ③ MATING CONN. P/N
PLUG HOUSING :SEE TABLE

THIS DRAWING IS A CONTROLLED DOCUMENT.		DWN A.OISHI 04APR2003	TE Connectivity		
DIMENSIONS: MM		CHK Y.KASHIWA 28AUG'00			
TOLERANCES UNLESS OTHERWISE SPECIFIED:		APVD Y.KASHIWA 28AUG'00	PRODUCT SPEC		5.0 POWER KEY CONNECTOR 4P HEADER ASSEMBLY (2ROW)
0 PLØ ± 0.2 1 PLØ ± 2 PLC ± 3/PLC ± 4 PLC ± ANGLES ± 1°		APPLICATION SPEC	108-78863		SIZE
MATERIAL SEE TABLE		FINISH SEE TABLE	WEIGHT	114-5292	CAGE CODE
		CUSTOMER DRAWING		A300779	DRAWING NO
				C-1376386	RESTRICTED TO
		SCALE 3:1		SHEET 2 OF 2	REV E3