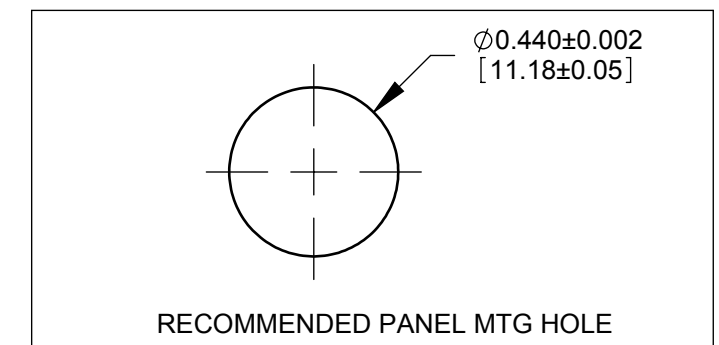
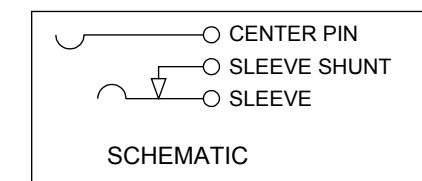
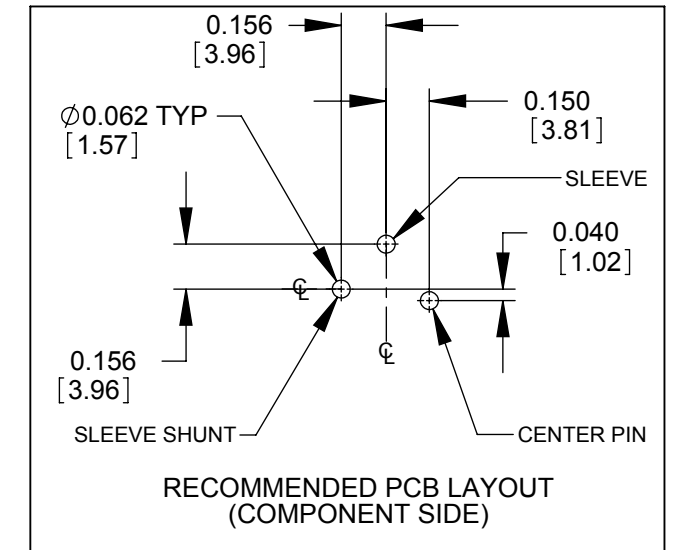


PART NUMBER	CENTER PIN / JACK SIZE	MATING POWER PLUG
PCL712AS	0.10 (2.5 mm)	761KS12, 761KS15, 761KS17
PCL722AS	0.08 (2.0 mm)	S761KS12, S761KS15, S761KS17 767KS12, 767KS15, 767KS17



NOTES:

- HEX NUT, FLAT WASHER, AND PANEL O-RING SUPPLIED UNASSEMBLED
- DIMENSIONS SHOWN FOR REFERENCE ONLY.
- MATERIAL:  
HOUSINGS, HEX NUT - COPPER ALLOY, NICKEL PLATED  
INSULATOR HOUSING - THERMOPLASTIC  
O-RINGS - NEOPRENE RUBBER, LUBRICATED WITH SYNTHETIC GREASE  
TERMINAL INSULATORS - PHENOLIC  
FLAT WASHER - STEEL, NICKEL PLATED  
PIN, SPRING, TERMINALS - COPPER ALLOY, SILVER PLATED
- THIS PRODUCT IS RoHS COMPLIANT

**CUSTOMER DRAWING**

REV	ECO NUMBER	DATE	BY	APVD
B	27029	10/01/12	BL	TJK
A	26591	8/6/10	RS	TJK
REV	ECO NUMBER	DATE	BY	APVD

UNLESS OTHERWISE SPECIFIED

1. ALL DIMENSIONS IN INCHES  
- TWO PLACE DECIMALS ±0.02  
- THREE PLACE DECIMALS ±0.005

DO NOT SCALE DRAWING

THIS DRAWING DESCRIBES A DESIGN CONSIDERED PROPRIETARY IN NATURE, DEVELOPED AND MANUFACTURED BY SWITCHCRAFT INC. AND IS RELEASED ON A CONFIDENTIAL BASIS FOR IDENTIFICATION PURPOSES ONLY.										
SIZE	WIDTH	MULT	LBS/M	TEMPER *						
FINISH					MATERIAL					
SPEC No.					SPEC No.					
FIRST USED ON				SCALE 2:1						
DATE DRAWN	BY	CHKD	APVD	Switchcraft®						
7/23/09	PNK	RS	TJK	SHEET 1 OF 1						
				8/6/10				8/6/10		
NAME				PART No.				REV		
SEALED POWER JACKS				PCL712AS, PCL722AS				B		
STRAIGHT PC, RoHS										

# Mouser Electronics

Authorized Distributor

Click to View Pricing, Inventory, Delivery & Lifecycle Information:

[Switchcraft:](#)

[PCL712AS](#) [PCL722AS](#)