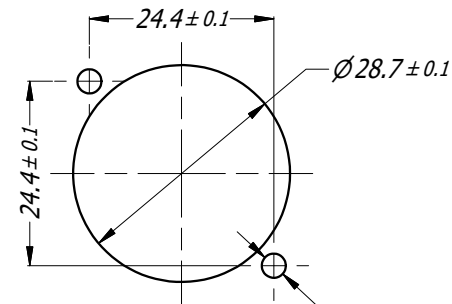


3D VIEW
1:1



PANEL CUTOUT

NOTES:
 - USE #4 OR M3 SCREW.
 - TIGHTEN TO 0.35 N-m (3.1 lb-in)

UNLESS OTHERWISE SPECIFIED TOLERANCE TO BE		THIS DOCUMENT IS THE PROPERTY OF AMPHENOL AUSTRALIA PTY. LTD. NO PART THEREOF MAY BE REPRODUCED AND USED WITHOUT THE PRIOR WRITTEN CONSENT OF THE OWNER.				Amphenol		Amphenol Australia Pty.Ltd, 22 Industry Blvd Carrum Downs, VIC 3201	
LINEAR	ANGULAR	MATERIAL:	DRN:	T.N	DATE:	19/07/17	TITLE:	PART No:	REV
X ± 0.5	X' ± 1		CKD:	P.M	DATE:	19/07/17	PROTECTIVE CAP	HPT-CAPF	1
X.X ± 0.1	X.X' ± 30'	BREAK ALL SHARP EDGES AND REMOVE ALL BURRS	APP'D:	P.M	DATE:	19/07/17	HPT SERIES FEMALE P/M	DRAWING No.	SHEET
X.XX ± 0.05	X.XX" ± 15'	DO NOT SCALE	FINISH:		SCALE:	1:1	BEADED CHAIN	55011250-000-4	3/4
DIMENSIONS IN MILLIMETRES		THIRD ANGLE PROJECTION		SCALE: 1:1		SIZE: A4		CB4.17.F1	

Mouser Electronics

Authorized Distributor

Click to View Pricing, Inventory, Delivery & Lifecycle Information:

[Amphenol:](#)

[HPT-CAPF](#)