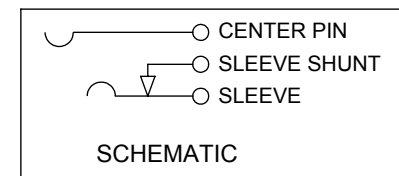
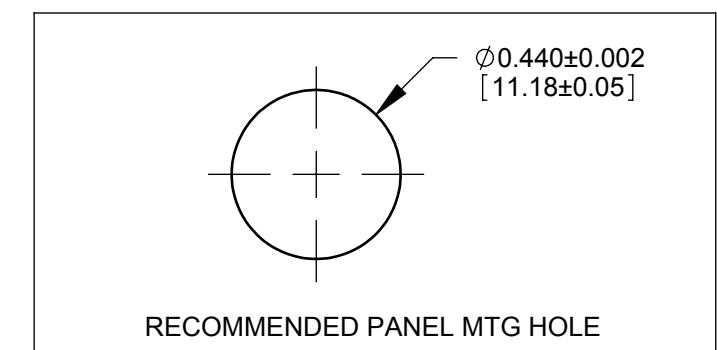
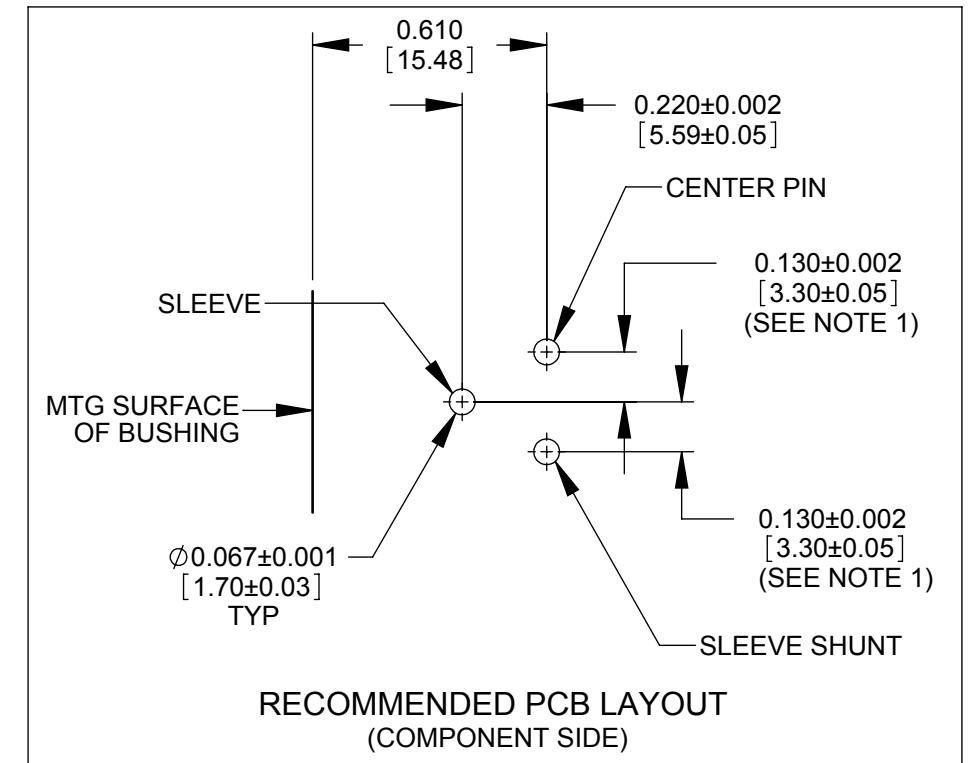
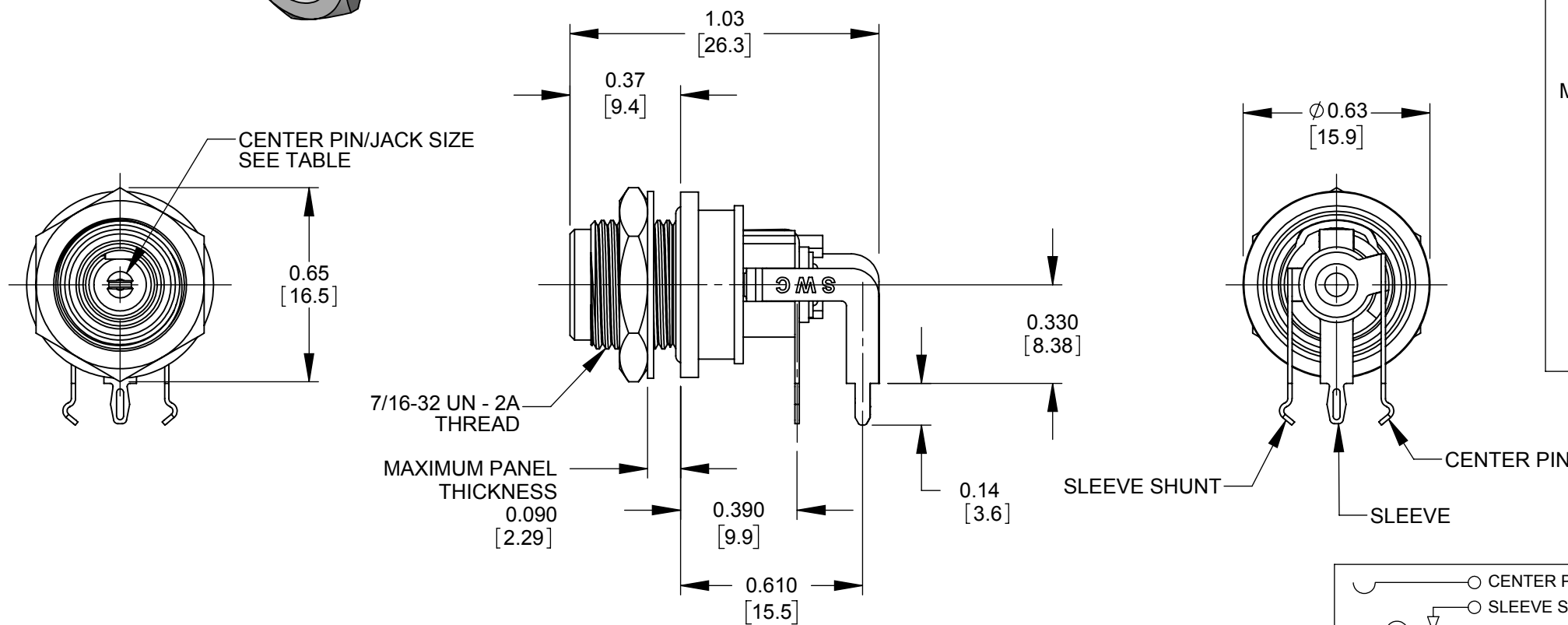


PART NUMBER	CENTER PIN/JACK SIZE	MATING POWER PLUG
L712RASH	0.10 [2.5 mm]	761KSH12, 761KSH15, 761KSH17
L722RASH	0.08 [2.0 mm]	S761KSH12, S761KSH15, S761KSH17



NOTES:

- FOR HAND INSERTION USE SPACING 0.130 [3.30]
FOR AUTOMATED INSERTION USE SPACING 0.135 [3.43]
- DIMENSIONS SHOWN FOR REFERENCE ONLY.
- HEX NUT, FLAT WASHER, AND PANEL O-RING SUPPLIED UNASSEMBLED
- MATERIAL:
HOUSINGS, HEX NUT - COPPER ALLOY, NICKEL PLATED
INSULATOR HOUSING - THERMOPLASTIC
O-RINGS - THERMOPLASTIC RUBBER, LUBRICATED WITH SYNTHETIC GREASE
TERMINAL INSULATORS - PHENOLIC
FLAT WASHER - STEEL, NICKEL PLATED
PIN, SPRING, TERMINALS - COPPER ALLOY, SILVER PLATED
- THIS PRODUCT IS RoHS COMPLIANT

PRELIMINARY

CUSTOMER DRAWING

					THIS DRAWING DESCRIBES A DESIGN CONSIDERED PROPRIETARY IN NATURE, DEVELOPED AND MANUFACTURED BY SWITCHCRAFT INC. AND IS RELEASED ON A CONFIDENTIAL BASIS FOR IDENTIFICATION PURPOSES ONLY.				
UNLESS OTHERWISE SPECIFIED					SIZE	WIDTH	MULT	LBS/M	TEMPER
1. ALL DIMENSIONS IN INCHES					FINISH				MATERIAL
- TWO PLACE DECIMALS ±0.02					SPEC No.				SPEC No.
- THREE PLACE DECIMALS ±0.005					FIRST USED ON		SCALE 2:1		
0A	PDR 15004	6/28/16	PNK	SRC	DATE DRAWN	BY	CHKD	APVD	Switchcraft [®]
REV	ECO NUMBER	DATE	BY	APVD	6/28/16	PNK	PNK	6/28/16	
REVISIONS					NAME SEALED HT POWER JACKS RIGHT-ANGLE PC, RoHS				
DO NOT SCALE DRAWING					PART No. L712RASH, L722RASH				REV 0A

Mouser Electronics

Authorized Distributor

Click to View Pricing, Inventory, Delivery & Lifecycle Information:

[Switchcraft:](#)

[L722RASH](#) [L712RASH](#)