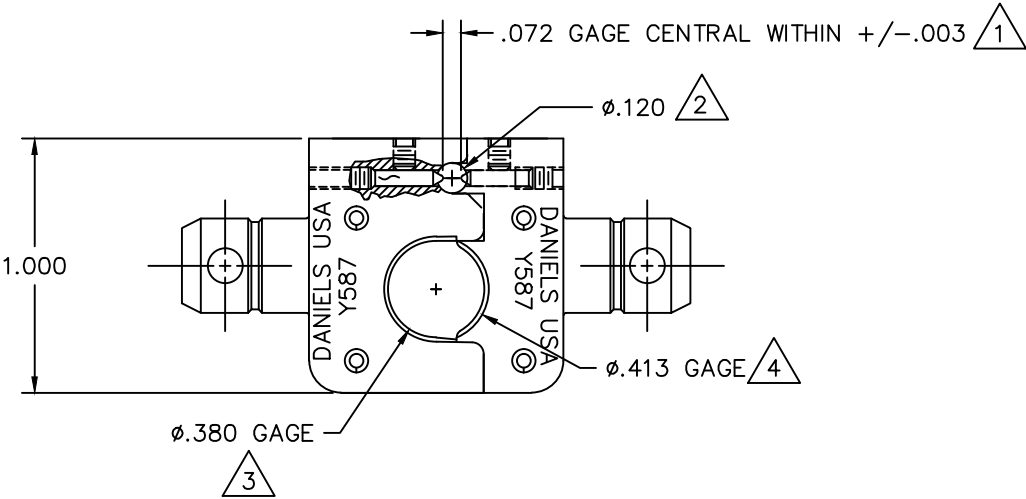
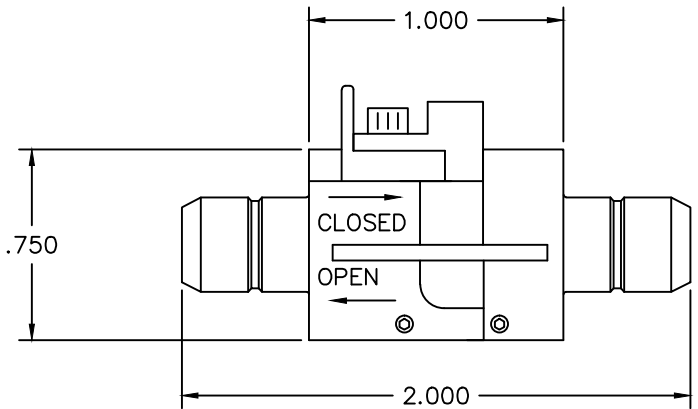


REVISIONS				
REV. SYM.	E.C.O. NUMBER	DESCRIPTION	BY DATE	APP'D DATE
1		ORIGINAL RELEASE	JWJ 8/8/00	RRR 8/8/00



**UNCONTROLLED DOCUMENT  
WILL NOT BE UPDATED**

- △ 4 USE DMC G410.
- △ 3 USE DMC G409.
- △ 2 USE DMC G408.
- △ 1 USE DMC G407.

1. FUNCTIONAL EQUIVALENT AMP 220015-1.

NOTES:

<b>RESTRICTED &amp; CONFIDENTIAL</b>  CONFIDENTIAL PROPERTY OF DANIELS MANUFACTURING CORP. NOT TO BE DISCLOSED TO OTHERS, REPRODUCED OR USED FOR ANY OTHER PURPOSE, EXCEPT AS AUTHORIZED IN WRITING BY DANIELS MANUFACTURING. MUST BE RETURNED TO DANIELS MANUFACTURING CORP. ON COMPLETION OF ORDER OR OTHER PURPOSE FOR WHICH LENT.	MATERIAL	ITEM	PART NO.	QTY.	DESCRIPTION/REMARKS																							
	HEAT TREAT	DRN.	J. JOYCE	DATE	8/8/00																							
		CHK'D.	RRR	DATE	8/8/00																							
	FINISH	APP'D.		DATE		<table border="1"> <tr> <td colspan="2">TITLE</td> <td colspan="2">DIE SET ENVELOPE DRAWING</td> </tr> <tr> <td colspan="4">WHERE USED:</td> </tr> <tr> <td>SIZE</td> <td>SCALE</td> <td>CAD P/N</td> <td>SHEET</td> <td>OF</td> </tr> <tr> <td>B</td> <td>2X</td> <td>Y587-ENV</td> <td>1</td> <td>1</td> </tr> <tr> <td>POSTING</td> <td>DWG. NO.</td> <td>Y587-ENV</td> <td>REV.</td> <td>1</td> </tr> </table>	TITLE		DIE SET ENVELOPE DRAWING		WHERE USED:				SIZE	SCALE	CAD P/N	SHEET	OF	B	2X	Y587-ENV	1	1	POSTING	DWG. NO.	Y587-ENV	REV.
TITLE		DIE SET ENVELOPE DRAWING																										
WHERE USED:																												
SIZE	SCALE	CAD P/N	SHEET	OF																								
B	2X	Y587-ENV	1	1																								
POSTING	DWG. NO.	Y587-ENV	REV.	1																								
DO NOT SCALE DRAWING		NOTE:	THIS DRAWING IS AN OUTLINE DRAWING OF THE RESPECTIVE DMC PART NUMBER INDICATED. ACTUAL DMC PART NUMBER IS DRAWING NUMBER WITHOUT THE "-ENV" SUFFIX.																									

# Mouser Electronics

Authorized Distributor

Click to View Pricing, Inventory, Delivery & Lifecycle Information:

[Daniels Manufacturing:](#)

[Y587](#)